

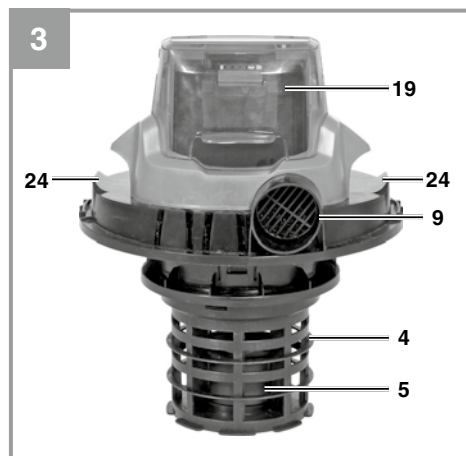
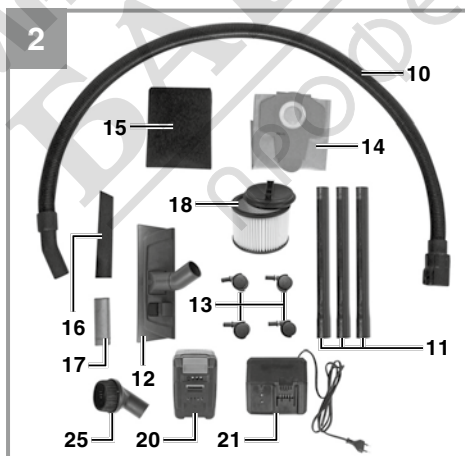
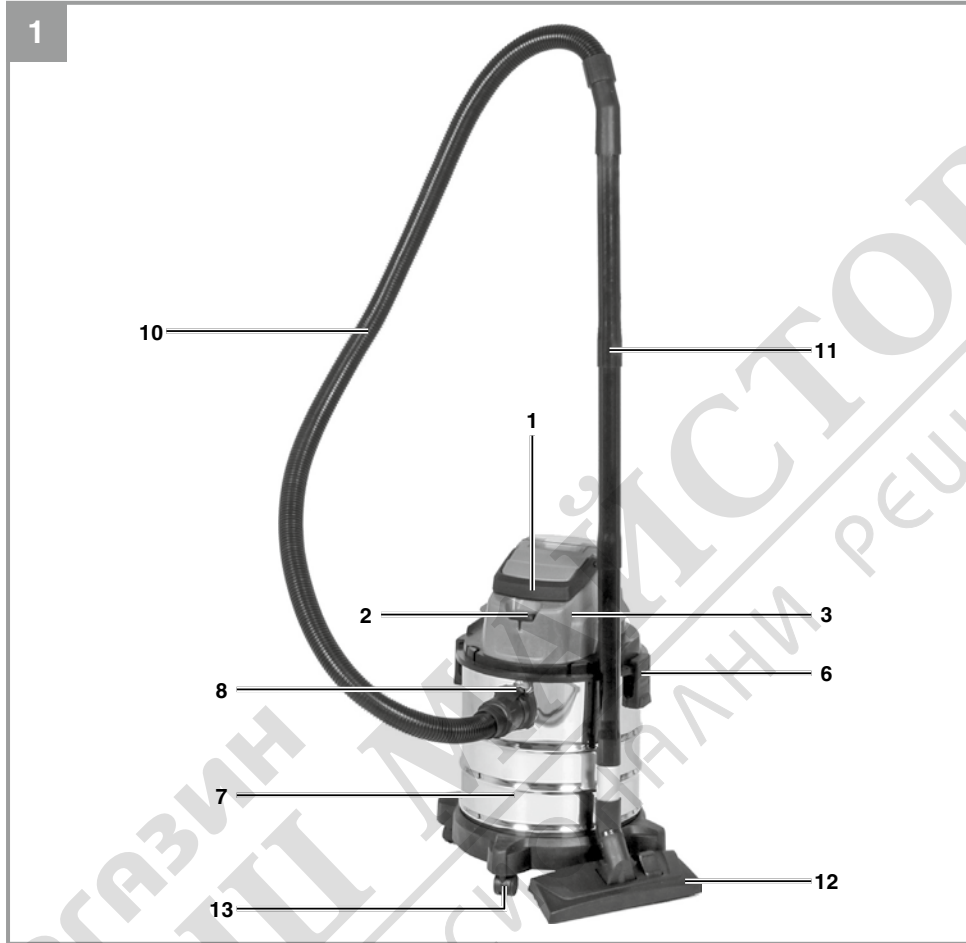
D	Originalbetriebsanleitung Akku-Nass-Trockensauger	H	Eredeti használati utasítás Akkus-nedves-száraz szívó
GB	Original operating instructions Cordless wet and dry vacuum cleaner	RO	Instrucțiuni de utilizare originale Aspirator umed-uscat cu acumulator
F	Instructions d'origine Aspirateur eau et poussiere sans fil	GR	Πρωτότυπες Οδηγίες χρήσης Σκουπα για υγρο/στεγνο καθαρισμο με μπαταρία
I	Istruzioni per l'uso originali Bidone aspiratutto a batteria	P	Manual de instruções original Aspirador universal sem fio
DK/ N	Original betjeningsvejledning Akku-våd-tørsuger	HR/ BIH	Originalne upute za uporabu Akumulatorski usisavač za mokro i suho čišćenje
S	Original-bruksanvisning Batteridrivnen våt- och torrsugare	RS	Originalna uputstva za upotrebu Akumulatorski usisavač za mokro i suho čišćenje
CZ	Originální návod k obsluze Akumulátorový vysavač pro vysávání za mokra i za sucha	PL	Instrukcja oryginalna Akumulatorowy odkurzacz do pracy na suchu i na mokro
SK	Originálny návod na obsluhu Akumulátorový mokro-suchý vysávač	TR	Orijinal Kullanma Talimatı Akülü ıslak kuru elektrik süpürgesi
NL	Originele handleiding Accu nat-droogzuiger	RUS	Оригинальное руководство по эксплуатации Аккумуляторный пылесос для влажной и сухой очистки
E	Manual de instrucciones original Aspirador en seco y húmedo inalámbrico	EE	Originaalkasutusjuhend Akuga märg- ja kuivtolmuimeja
FIN	Alkuperäiskäyttöohje Akkukäyttöinen märkä-kuivaimuri		
SLO	Originalna navodila za uporabo Akumulatorski sesalnik za suho in mokra sesanje		

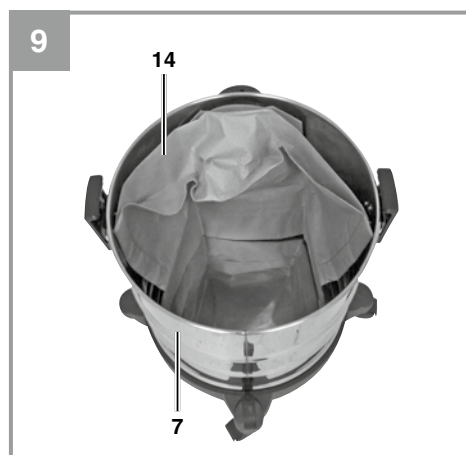
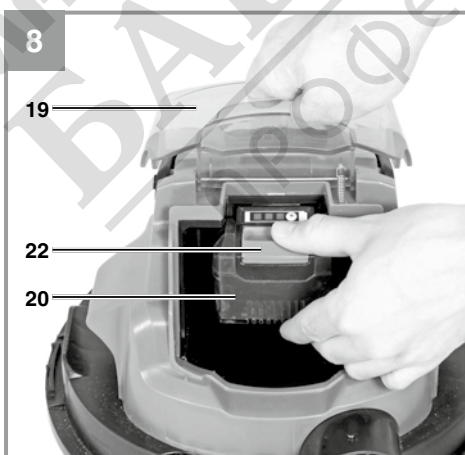
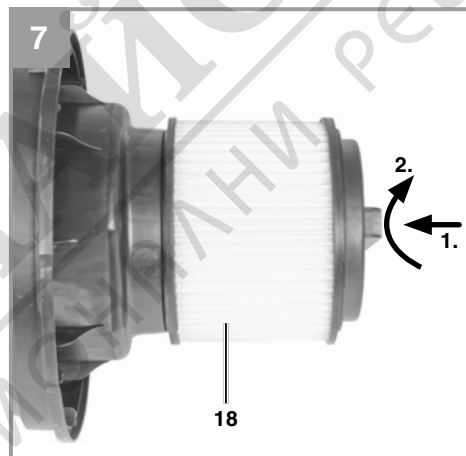
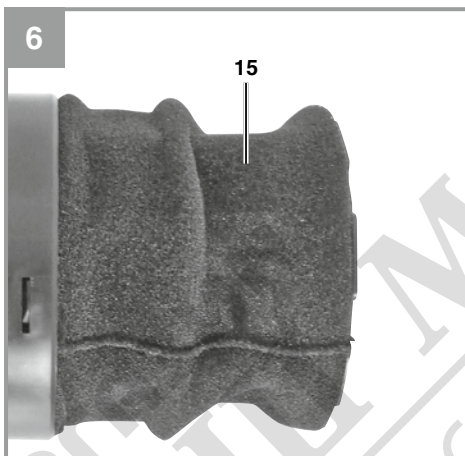
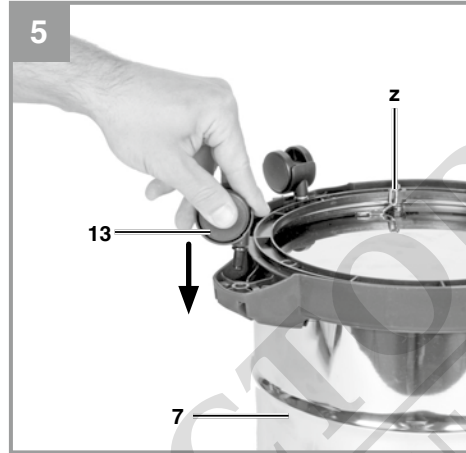
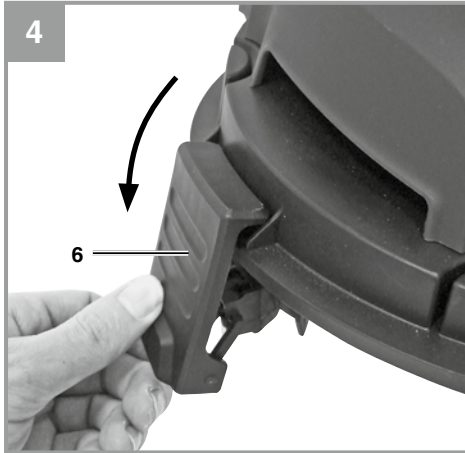
13

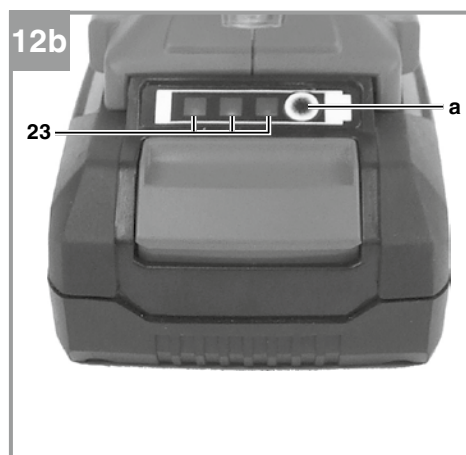
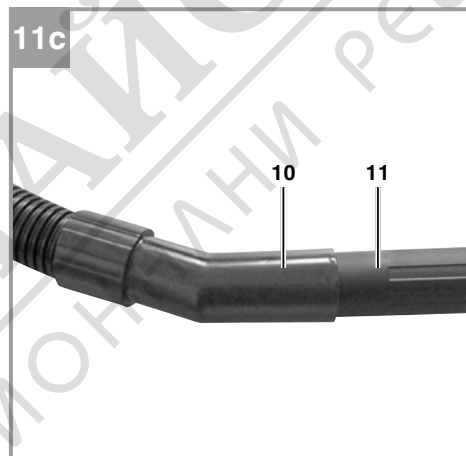
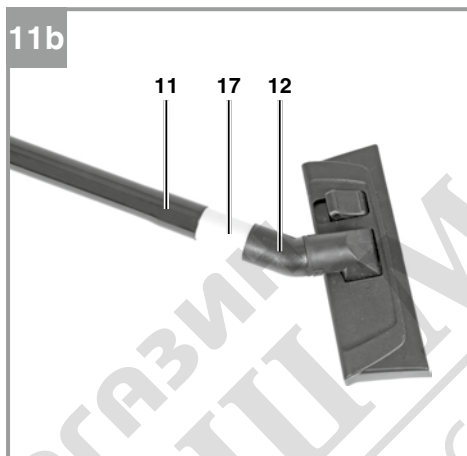
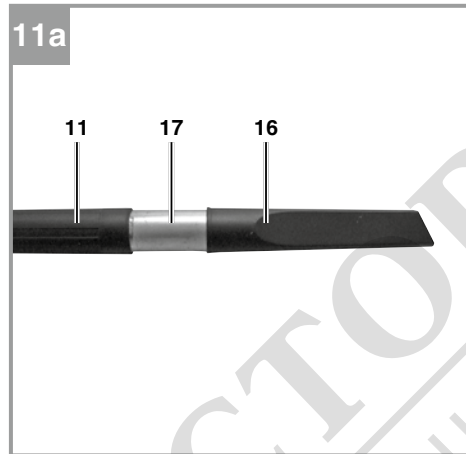
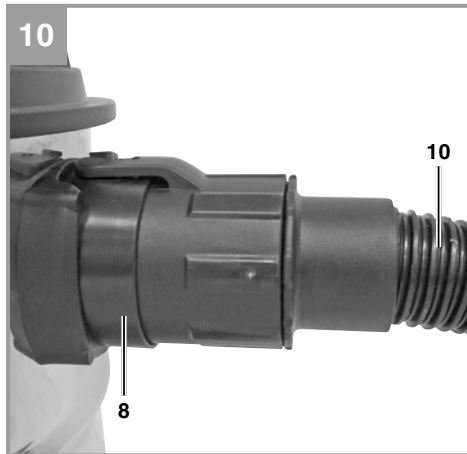


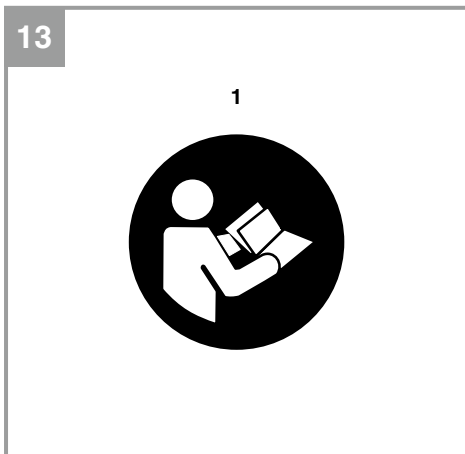
Art.-Nr.: 23.471.30

I.-Nr.: 21044

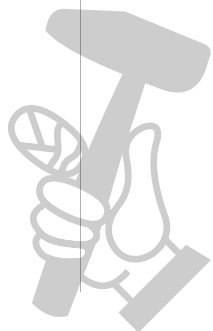








МАГАЗИН  
**БАШ МАЙСТОРА**<sup>®</sup>  
ПРОФЕСИОНАЛНИ РЕШЕНИЯ



**Danger!**

When using the equipment, a few safety precautions must be observed to avoid injuries and damage. Please read the complete operating instructions and safety regulations with due care. Keep this manual in a safe place, so that the information is available at all times. If you give the equipment to any other person, hand over these operating instructions and safety regulations as well. We cannot accept any liability for damage or accidents which arise due to a failure to follow these instructions and the safety instructions.

**Explanation of the symbols used (see Fig. 13)**

1. **Danger!** - Read the operating instructions to reduce the risk of injury.

**1. Safety regulations**

The corresponding safety information can be found in the enclosed booklet.

**Warning!**

**Read all the safety information, instructions, illustrations and technical data provided on or with this power tool.** Failure to adhere to the following instructions may result in electric shock, fire and/or serious injury.

**Keep all the safety information and instructions in a safe place for future use.**

- Important: read the operating instructions before assembling and using the appliance for the first time.
- Never clean the appliance with solvents.
- Never leave the appliance unattended when operational.
- Keep away from children.
- Never vacuum the following: burning matches, smoldering ash and cigarette butts, combustible, caustic, inflammable or explosive substances, vapor or liquids.
- This appliance is not suitable for vacuuming dust which can be harmful to health.
- Store the appliance in a dry indoor location.
- Never use the appliance if it is damaged.
- Only allow the appliance to be serviced by an authorized after sales service outlet.
- Only use the appliance to carry out work for which has been designed.
- Take extra care when cleaning steps.
- Use only genuine accessories and spare parts.

This equipment is not designed to be used by people (including children) with limited physical, sensory or mental capacities or those with no experience and/or knowledge unless they are supervised by a person who is responsible for their safety or they have received instructions from such a person in how to use the equipment safely. Children must always be supervised in order to ensure that they do not play with the equipment.

**2. Layout and items supplied****2.1 Layout (Fig. 1-3, 8, 12b)**

- 1 Handle
- 2 On/Off switch
- 3 Appliance head
- 4 Filter basket
- 5 Safety float valve
- 6 Locking hook
- 7 Container
- 8 Suction hose connector
- 9 Blow connector
10. Flexible hose
- 11 3-part suction tube
- 12 Combination nozzle
- 13 Castors
- 14 Dirt bag
- 15 Foamed plastic filter
- 16 Crevice nozzle
- 17 Adapter
- 18 Pleated filter with cover
19. Battery cover
20. Battery
21. Charger
22. Pushlock button
23. Battery capacity indicator
24. Suction hose holder
25. Upholstery nozzle

**2.2 Items supplied**

Please check that the article is complete as specified in the scope of delivery. If parts are missing, please contact our service center or the nearest branch of the DIY store where you made your purchase at the latest within 5 work days after purchasing the article and upon presentation of a valid bill of purchase. Also, refer to the warranty table in the warranty provisions at the end of the operating instructions.

- Open the packaging and take out the equipment with care.
- Remove the packaging material and any packaging and/or transportation braces (if

- available).
- Check to see if all items are supplied.
- Inspect the equipment and accessories for transport damage.
- If possible, please keep the packaging until the end of the guarantee period.

**Danger!**

**The equipment and packaging material are not toys. Do not let children play with plastic bags, foils or small parts. There is a danger of swallowing or suffocating!**

- Flexible suction hose
- 3-piece suction tube
- Dual purpose nozzle
- 4x wheels
- Dirt bag
- Foam filter
- Crevice nozzle
- Adapter
- Pleated filter with cover
- Upholstery nozzle
- Original operating instructions
- Safety instructions

The equipment comes with a chain (z) on the tank bottom. The chain helps to prevent static charging during use.

**3. Proper use**

The cordless wet and dry vacuum cleaner is designed for wet and dry vacuuming using the appropriate filter. The equipment is not suitable for the vacuuming of combustible, explosive or harmful substances.

The equipment is to be used only for its prescribed purpose. Any other use is deemed to be a case of misuse. The user / operator and not the manufacturer will be liable for any damage or injuries of any kind caused as a result of this.

Please note that our equipment has not been designed for use in commercial, trade or industrial applications. Our warranty will be voided if the equipment is used in commercial, trade or industrial businesses or for equivalent purposes.

**4. Technical data**

Voltage supply to motor .....	18 V DC
Tank volume: .....	20 l
Weight (without battery): .....	4.3 kg

**5. Before starting the equipment****5.1 Appliance assembly****Fitting the appliance head (Fig. 1, 4/3)**

The appliance head (3) is fastened to the container (7) by the locking hook (6). To remove the appliance head (3), open the locking hook (6) and remove the appliance head (3). When fitting the appliance head (3), make sure that the locking hook (6) locks into place correctly.

**Fitting the castors (Fig. 5/13)**

Fit the castors (13) into the appropriate mountings on the underside of the tank (7).

**5.2 Fitting the filter****Notice!**

Never use the wet and dry vacuum cleaner without a filter!

Always ensure that the filters are perfectly secure!

**Fitting the foam filter (Fig. 6/15)**

For wet-vacuuming, slip the supplied foamed plastic filter (15) over the filter basket.

**Fitting the pleated filter (Fig. 7)**

For dry-vacuuming, slip the pleated filter (18) over the filter basket (Fig. 3/4). The pleated filter is suitable for dry-vacuuming only.

**Assembling the dirt bag (Fig. 9/14)**

For vacuuming fine, dry dirt it is recommended that you fit the dirt bag (14). Slip the dirt bag (14) over the vacuuming hole. The dirt bag (14) is suitable for dry-vacuuming only. The dirt bag makes it easier to dispose of the sucked-in dust.

**5.3 Fitting the suction hose (Fig. 3, 10, 11)**

Connect the suction hose (10) to the corresponding connector on the wet and dry vacuum cleaner, depending on the application required.

**Vacuuming**

Connect the suction hose (10) to the suction hose connector (8)

**Blowing**

Connect the suction hose (10) to the blow connector (9)

One or more of the elements which make up the 3-part suction tube (11) can be attached to the suction hose (10) to extend it. The adapter (17) must be inserted between the suction tube (11) and the combination nozzle (12) or crevice nozzle (16).

**5.4 Suction nozzles****Dual-purpose nozzle (Fig. 2)**

The dual-purpose nozzle (12) is for vacuuming solids and liquids over medium to large areas. Various attachments can be fitted to the combination nozzle depending on what you sort of work you wish to carry out:

**Crevice nozzle (Fig. 2)**

The crevice nozzle (16) is designed for vacuuming solids and liquids in corners, edges and other areas that are difficult to access.

**Upholstery nozzle (Fig. 2)**

The upholstery nozzle (25) is specially designed for vacuuming solids on upholstery and carpets.

**5.5 Charging the battery (Fig. 12a)**

1. Take the battery pack out of the equipment. Do this by pressing the side pushlock buttons.
2. Check that your mains voltage is the same as that marked on the rating plate of the battery charger. Insert the power plug of the charger (21) into the socket outlet. The green LED will then begin to flash.
3. Insert the battery pack (20) into the battery charger (21).
4. In the section entitled „Charger indicator“ you will find a table with an explanation of the LED indicator on the charger.

The battery pack can become a little warm during the charging. This is normal.

If the battery pack fails to charge, check:

- whether there is voltage at the socket outlet
- whether there is good contact at the charging contacts

If the battery pack still fails to charge, send

- the charging unit
  - and the battery pack
- to our customer service center.

**To ensure that items are properly packaged and delivered when you send them to us, please contact our customer service or the point of sale at which the equipment was purchased.**

**When shipping or disposing of batteries and cordless tools, always ensure that they are packed individually in plastic bags to prevent short circuits and fires.**

To ensure that the battery pack provides long service, you should take care to recharge it promptly. You must recharge the battery pack when you notice that the performance of the device drops. Never allow the battery pack to become fully discharged. This will cause it to develop a defect.

**Fitting the battery (Fig. 8/20)**

Open the battery cover (Fig. 8/19) Do this by swinging up the cover as shown in Fig. 8. Then insert the battery (Fig. 2/20) into the mount and push it forward until you hear the battery engage.

**Battery capacity indicator (Fig. 12b/23)**

Press the switch for the battery capacity indicator (a). The battery capacity indicator (Fig. 23) shows the charge status of the battery using 3 LEDs.

**All 3 LEDs are lit:**

The battery is fully charged.

**2 or 1 LED(s) are lit:**

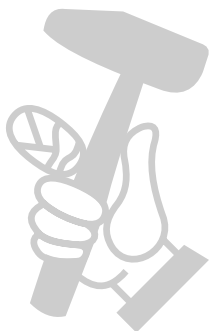
The battery has an adequate remaining charge.

**1 LED flashes:**

The battery is empty, recharge the battery.

**All LEDs flash:**

The battery pack has undergone exhaustive discharge and is defective. Do not use or charge a defective battery pack.



## 6. Operation

### 6.1 On/Off switch (Fig. 1/2)

Switch position 0: Off  
Switch position I: On

### 6.2 Dry vacuuming

Use the dirt bag (14) and the additional filter (18) for dry vacuuming (see point 5.2). Always ensure that the filters are perfectly secure.

### 6.3 Wet vacuuming

For wet-vacuuming, use the foam filter (15) (see point 5.2). Check that the filter is securely fitted at all times.

When wet vacuuming, the floating safety switch (Fig. 3/5) closes when the maximum tank level is reached. In doing so, the suction noise of the equipment will change and become louder. You must then switch off the equipment and empty the tank.

#### **Danger!**

The wet and dry vacuum cleaner is not suitable for the vacuuming of combustible liquids. For wet vacuuming, use only the supplied foam filter.

### 6.4 Blowing

Connect the suction hose (10) to the blow connector (9) on the wet and dry vacuum cleaner.

### 6.5 Cleaning the appliance head (1/3)

Clean the appliance regularly with a damp cloth and some soft soap. Do not use cleaning agents or solvents; these may be aggressive to the plastic parts in the appliance.

### 6.6 Cleaning the container (1/7)

The container can be cleaned with a damp cloth and some soft soap or under running water, depending on the amount of dirt.

### 6.7 Cleaning the filters

#### **Cleaning the pleated filter (Fig. 2/18)**

Clean the pleated filter (18) regularly by carefully patting it and cleaning it with a fine brush or hand brush.

#### **Cleaning the foam filter (2/15)**

Clean the foam filter (15) with a little soft soap under running water and allow it to air-dry.

## 7. Cleaning, maintenance and ordering of spare parts

#### **Danger!**

Always pull out the battery before starting any cleaning work.

### 7.1 Cleaning

- Keep all safety devices, air vents and the motor housing free of dirt and dust as far as possible.
- We recommend that you clean the equipment immediately after you use it.

### 7.2 Servicing

At regular intervals and before each use, check that the filters in the wet and dry vacuum cleaner are securely fitted.

### 7.3 Ordering spare parts

Please provide the following information on all orders for spare parts:

- Model/type of the equipment
- Article number of the equipment
- ID number of the equipment
- Part number of the required spare part

For our latest prices and information please go to [www.Einhell-Service.com](http://www.Einhell-Service.com)

## 8. Disposal and recycling

The equipment is supplied in packaging to prevent it from being damaged in transit. The raw materials in this packaging can be reused or recycled. The equipment and its accessories are made of various types of material, such as metal and plastic. Never place defective equipment in your household refuse. The equipment should be taken to a suitable collection center for proper disposal. If you do not know the whereabouts of such a collection point, you should ask in your local council offices.

## 9. Storage

Store the equipment and accessories in a dark and dry place at above freezing temperature. The ideal storage temperature is between 5 and 30 °C. Store the electric tool in its original packaging.

## 10. Charger indicator

Indicator status		Explanations and actions
Red LED	Green LED	
Off	Flashing	<p><b>Ready for use</b> The charger is connected to the mains and is ready for use; there is no battery pack in the charger</p>
On	Off	<p><b>Charging</b> The charger is charging the battery pack in quick charge mode. The charging times are shown directly on the charger. Important! The actual charging times may vary slightly from the stated charging times depending on the existing battery charge.</p>
Off	On	<p><b>The battery is charged and ready for use. (READY TO GO)</b> The unit then changes over to gentle charging mode until the battery is fully charged. To do this, leave the rechargeable battery on the charger for approx. 15 minutes longer. <b>Action:</b> Take the battery pack out of the charger. Disconnect the charger from the mains supply.</p>
Flashing	Off	<p><b>Adapted charging</b> The charger is in gentle charging mode. For safety reasons the charging is performed less quickly and takes more time. The reasons can be: - The rechargeable battery has not been used for a very long time. - The battery temperature is outside the ideal range. <b>Action:</b> Wait for the charging to be completed; you can still continue to charge the battery pack.</p>
Flashing	Flashing	<p><b>Fault</b> Charging is no longer possible. The battery pack is defective. <b>Action:</b> Never charge a defective battery pack. Take the battery pack out of the charger.</p>
On	On	<p><b>Temperature fault</b> The battery pack is too hot (e.g. due to direct sunshine) or too cold (below 0° C). <b>Action:</b> Remove the battery pack and keep it at room temperature (approx. 20° C) for one day .</p>

**Disposal**

Power tools, rechargeable batteries, accessories and packaging should be sorted for environmental-friendly recycling.

Do not dispose of power tools and batteries/rechargeable batteries into household waste!

**Only for EU countries:**

According to the Directive 2012/19/EU on waste electrical and electronic equipment and its transposition into national law, power tools that are no longer usable, and, according to the Directive 2006/66/EC, defective or drained batteries must be collected separately and disposed of in an environmentally correct manner.

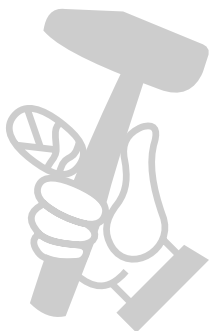
If disposed incorrectly, waste electrical and electronic equipment may have harmful effects on the environment and human health, due to the potential presence of hazardous substances.

**Only for United Kingdom:**

According to The Waste Electrical and Electronic Equipment Regulations 2013 (SI 2013/3113) (as amended) and the Waste Batteries and Accumulators Regulations 2009 (SI 2009/890) (as amended), products that are no longer usable must be collected separately and disposed of in an environmentally friendly manner.

The reprinting or reproduction by any other means, in whole or in part, of documentation and papers accompanying products is permitted only with the express consent of the Einhell Germany AG.

Subject to technical changes



## Service information

We have competent service partners in all countries named on the guarantee certificate whose contact details can also be found on the guarantee certificate. These partners will help you with all service requests such as repairs, spare and wearing part orders or the purchase of consumables.

Please note that the following parts of this product are subject to normal or natural wear and that the following parts are therefore also required for use as consumables.

Category	Example
Wear parts*	Battery, Combination nozzle, crevice nozzle, upholstery nozzle, electric tool adapter, etc.
Consumables*	Pleated filter, foam filter, dirt bag, additional filter, etc.
Missing parts	

\* Not necessarily included in the scope of delivery!

In the effect of defects or faults, please register the problem on the internet at [www.Einhell-Service.com](http://www.Einhell-Service.com). Please ensure that you provide a precise description of the problem and answer the following questions in all cases:

- Did the equipment work at all or was it defective from the beginning?
- Did you notice anything (symptom or defect) prior to the failure?
- What malfunction does the equipment have in your opinion (main symptom)? Describe this malfunction.

