



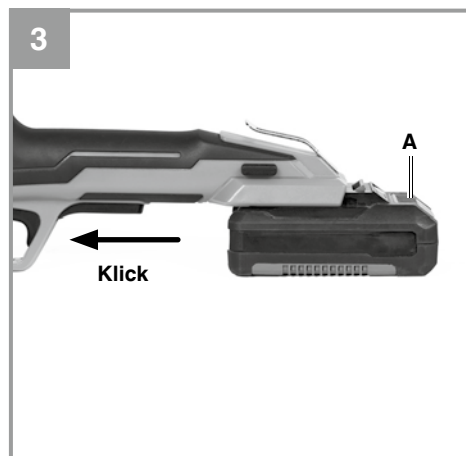
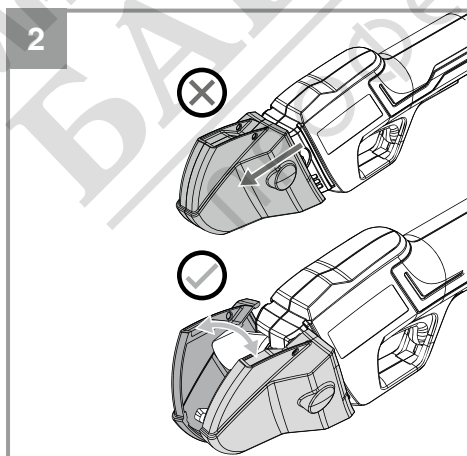
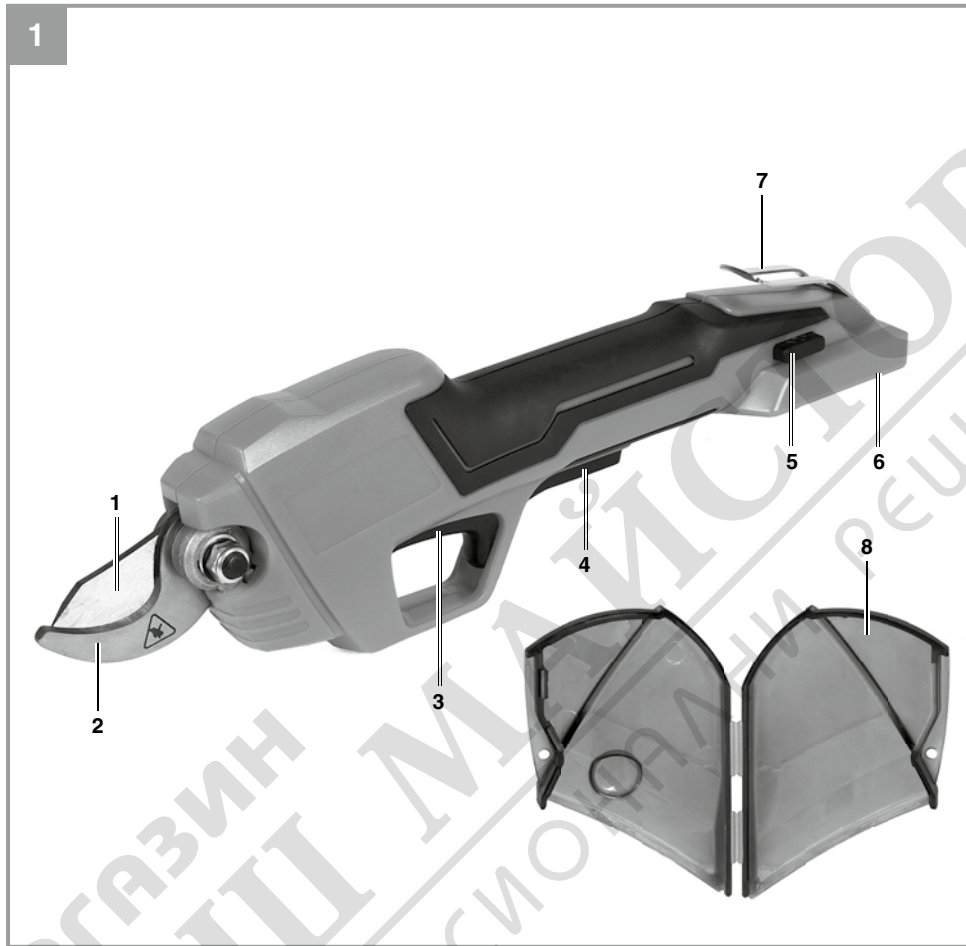
GE-LS 18 Li[®]

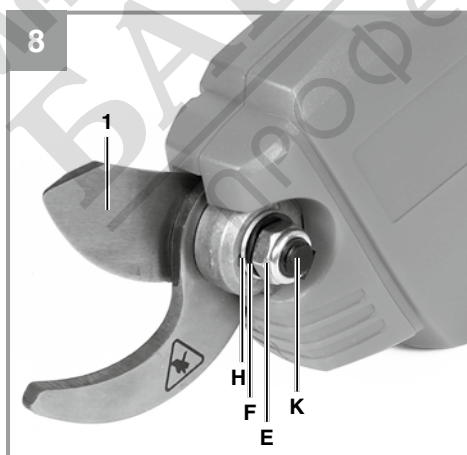
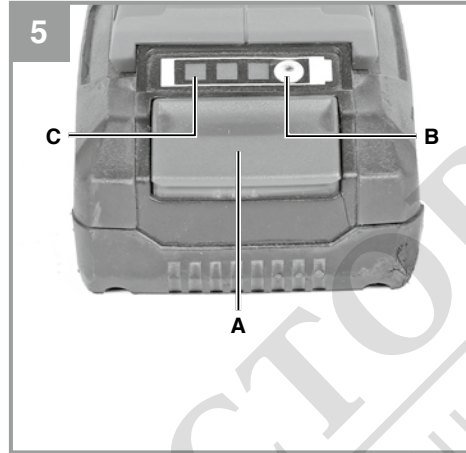
D	Originalbetriebsanleitung Akku-Astschere	NL	Originele handleiding Accu takkenschaar
GB	Original operating instructions Cordless branch shears	E	Manual de instrucciones original Tijera cortarramas inalámbrica
F	Instructions d'origine Cisaille pour branches sans fil	SLO	Originalna navodila za uporabo Akumulatorske škarje za veje
I	Istruzioni per l'uso originali Troncarami a batteria	H	Eredeti használati utasítás Akkus-ágvágó olló
DK/ N	Original betjeningsvejledning Akku grensaks	RO	Instrucțiuni de utilizare originale Foarfecă de tăiat crengi cu acumulator
CZ	Originální návod k obsluze Akumulátorové nůžky na větve	GR	Πρωτότυπες Οδηγίες χρήσης Ψαλίδι κλαδέματος, με μπαταρία
SK	Originálny návod na obsluhu Akumulátorové nožnice na konáre		



Art.-Nr.: 34.083.00 (Solo)

I.-Nr.: 21021







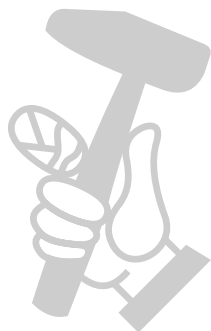
Danger! - Read the operating instructions to reduce the risk of injury.



Caution! Wear safety goggles. Sparks generated during working or splinters, chips and dust emitted by the device can cause loss of sight.



Danger! Moving blade. No hands or feet are allowed to be placed between the blades.



This equipment is not designed to be used by people (including children) with limited physical, sensory or mental capacities or those with no experience and/or knowledge unless they are supervised by a person who is responsible for their safety or they have received instructions from such a person in to how to use the equipment safely. Children must always be supervised in order to ensure that they do not play with the equipment.

Danger!

When using the equipment, a few safety precautions must be observed to avoid injuries and damage. Please read the complete operating instructions and safety regulations with due care. Keep this manual in a safe place, so that the information is available at all times. If you give the equipment to any other person, hand over these operating instructions and safety regulations as well. We cannot accept any liability for damage or accidents which arise due to a failure to follow these instructions and the safety instructions.

1. Safety regulations

The corresponding safety information can be found in the enclosed booklet.

Warning!

Read all the safety information, instructions, illustrations and technical data provided on or with this power tool. Failure to adhere to the following instructions may result in electric shock, fire and/or serious injury.

Keep all the safety information and instructions in a safe place for future use.

2. Layout and items supplied**2.1 Layout (Fig. 1)**

1. Cutting blade (movable)
2. Counter blade (stationary)
3. On/Off pushbutton
4. Locking button
5. ON/OFF main switch
6. Battery mount
7. Belt clip
8. Blade guard hood

2.2 Items supplied

Please check that the article is complete as specified in the scope of delivery. If parts are missing, please contact our service center or the sales outlet where you made your purchase at the latest within 5 working days after purchasing the product and upon presentation of a valid bill of purchase. Also, refer to the warranty table in the service information at the end of the operating instructions.

- Open the packaging and take out the equipment with care.
- Remove the packaging material and any packaging and/or transportation braces (if available).

- Check to see if all items are supplied.
- Inspect the equipment and accessories for transport damage.
- If possible, please keep the packaging until the end of the guarantee period.

Danger!

The equipment and packaging material are not toys. Do not let children play with plastic bags, foils or small parts. There is a danger of swallowing or suffocating!

- Cordless branch shears with blade guard hood
- Original operating instructions
- Safety instructions

3. Proper use

This equipment is designed for cutting branches and plants with a diameter of max. 28mm (softwood). The diameter is smaller for hardwood.

This equipment is not suitable for cutting metal.

The equipment is to be used only for its prescribed purpose. Any other use is deemed to be a case of misuse. The user / operator and not the manufacturer will be liable for any damage or injuries of any kind caused as a result of this.

Please note that our equipment has not been designed for use in commercial, trade or industrial applications. Our warranty will be voided if the machine is used in commercial, trade or industrial businesses or for equivalent purposes.

4. Technical data

Motor power supply: 18 V DC
 Cutting capacity (softwood) max. Ø: 28 mm
 Cutting capacity (hardwood) max. Ø: 15 mm
 Weight: 0.830 kg

Caution!

The equipment is supplied without batteries and without a charger and is allowed to be used only with the lithium-ion batteries of the Power-X-Change series!

The lithium-ion batteries of the Power-X-Change series are allowed to be charged only with the Power-X charger.

Danger!

Sound and vibration

Sound and vibration values were measured in accordance with EN 62841.

L_{pA} sound pressure level	61.2 dB(A)
K_{pA} uncertainty	3 dB
L_{WA} sound power level	81.2 dB(A)
K_{WA} uncertainty	3 dB

Wear ear-muffs.

The impact of noise can cause damage to hearing.

Total vibration values (vector sum of three directions) determined in accordance with EN 62841.

Vibration emission value $a_n \leq 2.5 \text{ m/s}^2$
K uncertainty = 1.5 m/s^2

The stated vibration emission levels and stated noise emission values were measured in accordance with a set of standardized criteria and can be used to compare one power tool with another.

The stated vibration emission levels and stated noise emission values can also be used to make an initial assessment of exposure.

Warning:

The vibration and noise emission levels may vary from the level specified during actual use, depending on the way in which the power tool is used, especially the type of workpiece it is used for.

Keep the noise emissions and vibrations to a minimum.

- Only use appliances which are in perfect working order.
- Service and clean the appliance regularly.
- Adapt your working style to suit the appliance.
- Do not overload the appliance.
- Have the appliance serviced whenever necessary.
- Switch the appliance off when it is not in use.
- Wear protective gloves.

Caution!

Residual risks

Even if you use this electric power tool in accordance with instructions, certain residual risks cannot be ruled out. The following hazards may arise in connection with the equipment's construction and layout:

1. Lung damage if no suitable protective dust mask is used.
2. Damage to hearing if no suitable ear protection is used.
3. Health damage caused by hand-arm vibrations if the equipment is used over a prolonged period or is not properly guided and maintained.

Danger!

The electric power tool generates an electromagnetic field during operation. Under certain circumstances this field may actively or passively impede medical implants. To reduce the risk of serious or fatal injuries, we recommend persons with medical implants to consult their doctor and the manufacturer of the medical implant prior to using the equipment.

5. Before starting the equipment

Warning!

Always remove the battery pack before making adjustments to the equipment.

5.1 Removing the blade guard hood (Fig. 2)

Check the fastener on the blade guard hood when you want to remove the hood. Use a pair of scissors or side-cutters to remove the cable-tie from the blade guard hood. Remove the blade guard hood by unfolding it.

5.2 Fitting the battery (Fig. 3)

Press the pushlock button (A) of the rechargeable battery and press the rechargeable battery into the mount provided. Make sure that the pushlock button latches in place. To remove the rechargeable battery, proceed in reverse order.

5.3 Charging the Li battery pack (Fig. 3-4)

1. Remove the battery pack from the handle, pressing the pushlock button (A) downwards to do so.
2. Check that your mains voltage is the same as that marked on the rating plate. Insert the power plug of the charger into the socket outlet.

- The green LED will then begin to flash.
- Push the battery pack onto the battery charger.
 - In the section entitled „Charger indicator“ you will find a table with an explanation of the LED indicator on the charger.

If the battery pack fails to charge, check for the following:

- voltage at the power socket
- whether there is good contact at the charging contacts of the charging unit

If the battery pack still fails to charge, send

- the charger and charging adapter
- and the battery pack

to our customer service center.

To ensure that items are properly packaged and delivered when you send them to us, please contact our customer service or the point of sale at which the equipment was purchased.

When shipping or disposing of batteries and cordless tools, always ensure that they are packed individually in plastic bags to prevent short circuits and fires.

To ensure that the battery pack provides long service, you should take care to recharge it promptly. You must recharge the battery pack when you notice that the performance of the device drops. Never allow the battery pack to become fully discharged. This will cause it to develop a defect.

5.4 Battery capacity indicator (Fig. 5)

Press the button for the battery capacity indicator (B). The battery capacity indicator (C) shows the charge status of the battery using 3 LEDs.

All 3 LEDs are lit:

The battery is fully charged.

2 or 1 LED(s) are lit:

The battery has an adequate remaining charge.

1 LED flashes:

The battery is empty, recharge the battery.

All LEDs blink:

The battery temperature is too low. Remove the battery from the equipment, keep it at room temperature for one day. If the fault reoccurs, this means that the rechargeable battery has undergone

exhaustive discharge and is defective. Remove the battery from the equipment. Never use or charge a defective battery.

6. Operation

6.1 Switching ON/OFF

6.1.1 Switching on

This equipment comes with an ON/OFF main switch (slide switch).

- (Fig. 6) When the slide switch is pressed into the housing on the left - OFF position -, the equipment will be switched off. Always use this position when you are not working with the equipment.
- (Fig. 7) When the slide switch is pressed into the housing on the right - ON position -, the equipment will be switched on.

- (Fig. 7) Press the ON/OFF main switch into the ON position.
- (Fig. 1) Actuate the locking button (Item 4) and the ON/OFF button (Item 3). The cutting blade will move to the "Open" position.
- If you press the locking button and the ON/OFF button again, the cutting blade will close.
- If you release the ON/OFF button again, the cutting blade will move into the "Open" position.

6.1.2 Switching off

- (Fig. 1) Press the locking button (Item 4) and the ON/OFF button (Item 3). The cutting blade will move to the "Closed" position.
- (Fig. 6) Press the ON/OFF main switch into the OFF position.

6.2 Using the equipment

The equipment is used like a conventional garden shears. Use your free hand to move the branches etc. into position. Keep a safe distance between this hand and the work area – risk of injury.

As described in section 6.1.1, press the ON/OFF button to close the cutting blade and release the ON/OFF button again to open the cutting blade.

Note:

- Take account of the maximum cutting capacity (see Technical Data) when cutting branches.
- If you try to cut branches that are too thick or too hard for the equipment to cut through, the

cutting blade will open automatically.

6.3 Finishing your work

Switch off the equipment as described in section 6.1.2. Fit the blade guard hood back over the cutting blade and clip it in place.

6.4 Belt clip

You can use the belt clip (Fig. 1 / Item 7) to hang up the equipment, e.g. from your belt. Both your hands are then free and the equipment is always within easy reach.

7. Cleaning, maintenance and ordering of spare parts

Hazard!

Always pull out the battery pack before starting any cleaning work.

7.1 Cleaning

- Keep all safety devices, air vents and the motor housing free of dirt and dust as far as possible. Wipe the equipment with a clean cloth or blow it with compressed air at low pressure.
- We recommend that you clean the device immediately each time you have finished using it.
- Clean the equipment regularly with a moist cloth and some soft soap. Do not use cleaning agents or solvents; these could attack the plastic parts of the equipment. Ensure that no water can seep into the device. The ingress of water into an electric tool increases the risk of an electric shock.

7.2 Maintenance

7.2.1 Changing the (movable) cutting blade (Fig. 8)

When the cutting blade becomes blunt or worn you can replace it yourself (see section 7.3) or have it replaced by your service workshop. Take care not to injure yourself with the cutting blade.

Warning! For safety reasons, self-locking nuts are allowed to be used only once without exception.

Proceed as follows:

1. Switch off the equipment with the ON-OFF main switch (OFF position) and remove the battery.

2. Remove the self-locking nut M8 (wrench size 13) (Item E), the corrugated washer (Item F) and the washer (Item H).
 3. Remove the bolt (Item K).
 4. Remove the movable cutting blade (Item 1).
 5. Insert the new movable cutting blade.
 6. Reinsert the bolt.
 7. Place the washer and the corrugated washer on the bolt.
 8. Screw an unused self-locking nut M8 (wrench size 13) onto the bolt.
- There are no other parts inside the equipment which require maintenance.

7.3 Ordering spare parts and accessories

Please provide the following information when ordering spare parts:

- Type of unit
- Article number of the unit
- ID number of the unit
- Spare part number of the required spare part

For our latest prices and information please go to www.Einhell-Service.com

8. Disposal and recycling

The equipment is supplied in packaging to prevent it from being damaged in transit. The raw materials in this packaging can be reused or recycled. The equipment and its accessories are made of various types of material, such as metal and plastic. Never place defective equipment in your household refuse. The equipment should be taken to a suitable collection center for proper disposal. If you do not know the whereabouts of such a collection point, you should ask in your local council offices.

9. Storage

Store the equipment and accessories in a dark and dry place at above freezing temperature. The ideal storage temperature is between 5 and 30 °C. Store the electric tool in its original packaging.

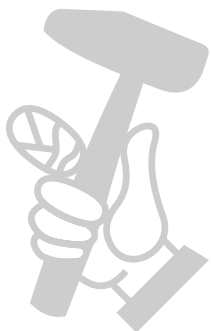
10. Troubleshooting guide

Danger!

Before troubleshooting, switch off the equipment and remove the battery.

The table below contains a list of fault symptoms and explains what you can do to remedy the problem if your equipment fails to work properly. If you fail to localize and solve the problem after working through the list, please contact your nearest service workshop.

Fault	Possible cause	Remedy
The equipment does not work	<ul style="list-style-type: none"> - Set the ON-OFF main switch to the OFF position - Battery empty - Battery is not correctly inserted 	<ul style="list-style-type: none"> - Set the ON-OFF main switch to ON - Charge battery - Remove battery and insert again (see section 5.2)
The equipment stops during cutting	<ul style="list-style-type: none"> - Akku leer - Akkukapazität gering 	<ul style="list-style-type: none"> - Charge battery - Charge battery
The cutting blade becomes jammed in a thick branch	<ul style="list-style-type: none"> - Akkukapazität gering - Holz zu hart - Astdurchmesser zu groß 	<ul style="list-style-type: none"> - Charge battery - Wood is unsuitable for cutting - Wood is unsuitable for cutting
The cut is not smooth	<ul style="list-style-type: none"> - Cutting blade is blunt or worn 	<ul style="list-style-type: none"> - Replace cutting blade



11. Charger indicator

Indicator status		Explanations and actions
Red LED	Green LED	
Off	Flashing	Ready for use The charger is connected to the mains and is ready for use; there is no battery pack in the charger
On	Off	Charging The charger is charging the battery pack in quick charge mode. The charging times are shown directly on the charger. Important! The actual charging times may vary slightly from the stated charging times depending on the existing battery charge.
Off	On	The battery is charged and ready for use. (READY TO GO) The unit then changes over to gentle charging mode until the battery is fully charged. To do this, leave the rechargeable battery on the charger for approx. 15 minutes longer. Action: Take the battery pack out of the charger. Disconnect the charger from the mains supply.
Flashing	Off	Adapted charging The charger is in gentle charging mode. For safety reasons the charging is performed less quickly and takes more time. The reasons can be: - The rechargeable battery has not been used for a very long time. - The battery temperature is outside the ideal range. Action: Wait for the charging to be completed; you can still continue to charge the battery pack.
Flashing	Flashing	Fault Charging is no longer possible. The battery pack is defective. Action: Never charge a defective battery pack. Take the battery pack out of the charger.
On	On	Temperature fault The battery pack is too hot (e.g. due to direct sunshine) or too cold (below 0° C). Action: Remove the battery pack and keep it at room temperature (approx. 20° C) for one day .



For EU countries only

Never place any electric power tools in your household refuse.

To comply with European Directive 2012/19/EC concerning old electric and electronic equipment and its implementation in national laws, old electric power tools have to be separated from other waste and disposed of in an environment-friendly fashion, e.g. by taking to a recycling depot.

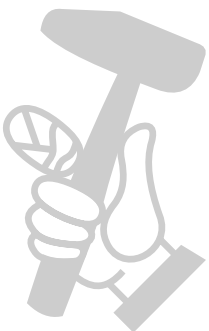
Recycling alternative to the return request:

As an alternative to returning the equipment to the manufacturer, the owner of the electrical equipment must make sure that the equipment is properly disposed of if he no longer wants to keep the equipment. The old equipment can be returned to a suitable collection point that will dispose of the equipment in accordance with the national recycling and waste disposal regulations. This does not apply to any accessories or aids without electrical components supplied with the old equipment.

Please note that batteries and lamps (e.g. light bulbs) must be removed from the tool before it is disposed of.

The reprinting or reproduction by any other means, in whole or in part, of documentation and papers accompanying products is permitted only with the express consent of the Einhell Germany AG.

Subject to technical changes



Service information

We have competent service partners in all countries named on the guarantee certificate whose contact details can also be found on the guarantee certificate. These partners will help you with all service requests such as repairs, spare and wearing part orders or the purchase of consumables.

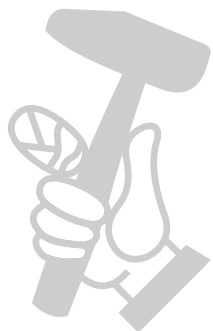
Please note that the following parts of this product are subject to normal or natural wear and that the following parts are therefore also required for use as consumables.

Category	Example
Wear parts*	Battery, cutting blade
Consumables*	
Missing parts	

* Not necessarily included in the scope of delivery!

In the effect of defects or faults, please register the problem on the internet at www.Einhell-Service.com. Please ensure that you provide a precise description of the problem and answer the following questions in all cases:

- Did the equipment work at all or was it defective from the beginning?
- Did you notice anything (symptom or defect) prior to the failure?
- What malfunction does the equipment have in your opinion (main symptom)? Describe this malfunction.



Warranty certificate

Dear Customer,

All of our products undergo strict quality checks to ensure that they reach you in perfect condition. In the unlikely event that your device develops a fault, please contact our service department at the address shown on this guarantee card. You can also contact us by telephone using the service number shown. Please note the following terms under which guarantee claims can be made:

1. These guarantee terms apply to consumers only, i.e. natural persons intending to use this product neither for their commercial activities nor for any other self-employed activities. These warranty terms regulate additional warranty services, which the manufacturer mentioned below promises to buyers of its new products in addition to their statutory rights of guarantee. Your statutory guarantee claims are not affected by this guarantee. Our guarantee is free of charge to you.
2. The warranty services cover only defects due to material or manufacturing faults on a product which you have bought from the manufacturer mentioned below and are limited to either the rectification of said defects on the product or the replacement of the product, whichever we prefer.
Please note that our devices are not designed for use in commercial, trade or professional applications. A guarantee contract will not be created if the device has been used by commercial, trade or industrial business or has been exposed to similar stresses during the guarantee period.
3. The following are not covered by our guarantee:
 - Damage to the device caused by a failure to follow the assembly instructions or due to incorrect installation, a failure to follow the operating instructions (for example connecting it to an incorrect mains voltage or current type) or a failure to follow the maintenance and safety instructions or by exposing the device to abnormal environmental conditions or by lack of care and maintenance.
 - Damage to the device caused by abuse or incorrect use (for example overloading the device or the use of unapproved tools or accessories), ingress of foreign bodies into the device (such as sand, stones or dust, transport damage), the use of force or damage caused by external forces (for example by dropping it).
 - Damage to the device or parts of the device caused by normal or natural wear or tear or by normal use of the device.
4. The guarantee is valid for a period of 24 months starting from the purchase date of the device. Guarantee claims should be submitted before the end of the guarantee period within two weeks of the defect being noticed. No guarantee claims will be accepted after the end of the guarantee period. The original guarantee period remains applicable to the device even if repairs are carried out or parts are replaced. In such cases, the work performed or parts fitted will not result in an extension of the guarantee period, and no new guarantee will become active for the work performed or parts fitted. This also applies if an on-site service is used.
5. To make a claim under the guarantee, please register the defective device at: www.Einhell-Service.com. Please keep your bill of purchase or other proof of purchase for the new device. Devices that are returned without proof of purchase or without a rating plate shall not be covered by the guarantee, because appropriate identification will not be possible. If the defect is covered by our guarantee, then the item in question will either be repaired immediately and returned to you or we will send you a new replacement.

Of course, we are also happy offer a chargeable repair service for any defects which are not covered by the scope of this guarantee or for units which are no longer covered. To take advantage of this service, please send the device to our service address.

Also refer to the restrictions of this warranty concerning wear parts, consumables and missing parts as set out in the service information in these operating instructions.

