

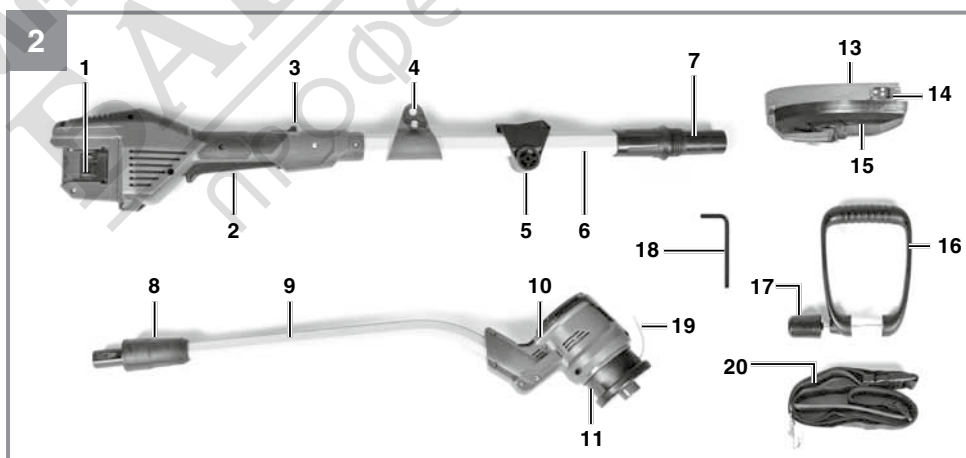
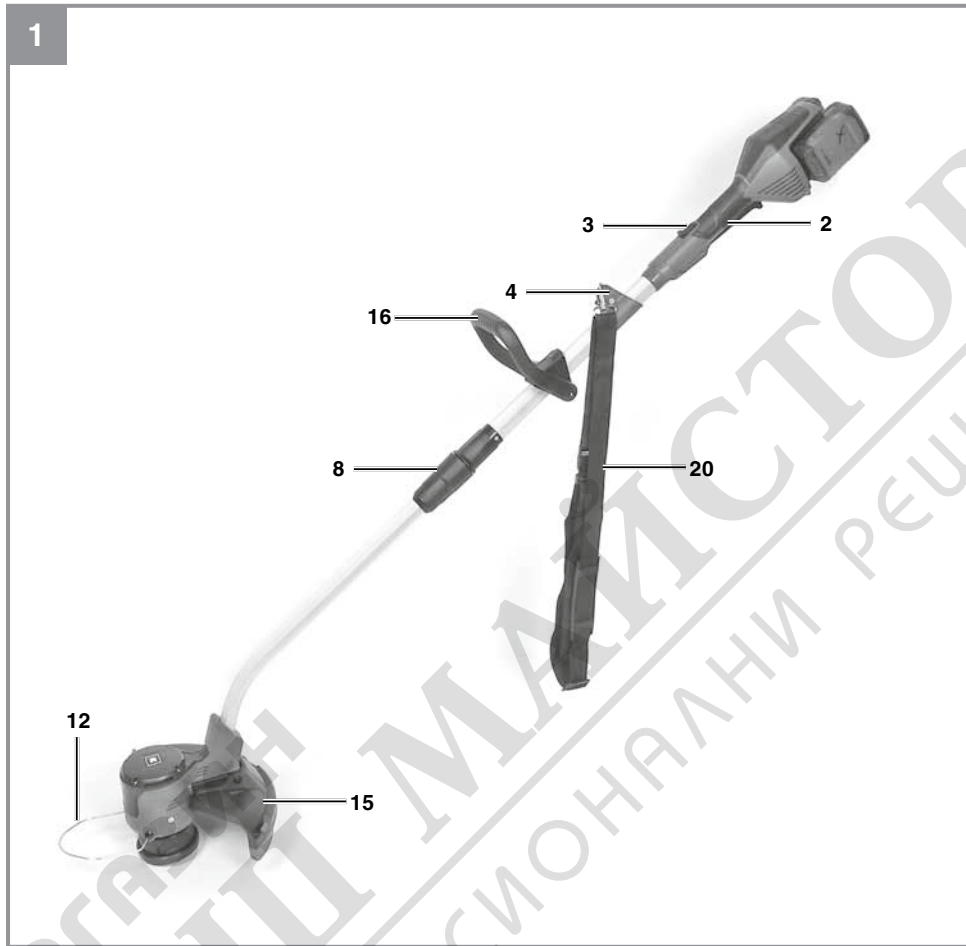
D	Originalbetriebsanleitung Akku-Rasentrimmer	RO	Instrucțiuni de utilizare originale Trimmer pentru gazon cu acumulator
GB	Original operating instructions Cordless grass trimmer	GR	Πρωτότυπες Οδηγίες χρήσης Μηχανή μπορντούρας χόρτου μπαταρίας
F	Instructions d'origine Coupe-bordure a accumulateur	P	Manual de instrucções original Roçador de relva sem fio
I	Istruzioni per l'uso originali Trimmer a batteria	HR/ BIH	Originalne upute za uporabu Akumulatorski trimer za travnjak
DK/ N	Original betjeningsvejledning Batteridreven græstrimmer	RS	Originalna uputstva za upotrebu Akumulatorski trimer za travnjak
S	Original-bruksanvisning Batteridreven grästrimmer	PL	Instrukcja oryginalna Akumulatorowa podkaszarka do trawy
CZ	Originální návod k obsluze Akumulátorová strunová sekačka	TR	Orijinal Kullanma Talimatı Şarjlı misinali çim biçme makinası
SK	Originálny návod na obsluhu Akumulátorová strunová kosačka	RUS	Оригинальное руководство по эксплуатации Аккумуляторный газонный триммер
NL	Originele handleiding Accugazontrimmer	EE	Originaalkasutusjuhend Akumurutrimmer
E	Manual de instrucciones original Recortadora de césped de batería	LV	Originālā lietošanas instrukcija Akumulatora zālāja trimmeris
FIN	Alkuperäiskäyttöohje Akkukäyttöinen ruohotrimmari		
SLO	Originalna navodila za uporabo Baterijska kosilnica za travo		
H	Eredeti használati utasítás Akku- pázsitrimmer		

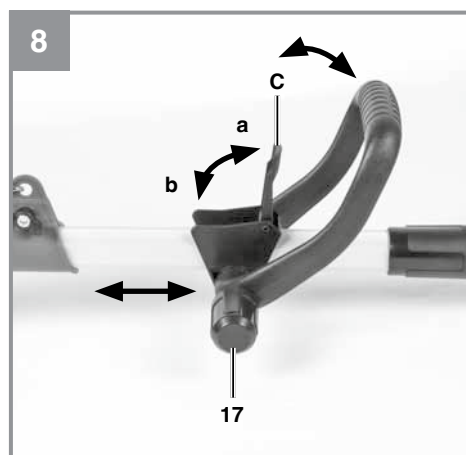
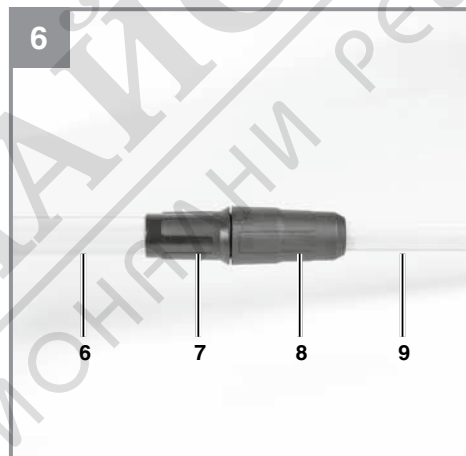
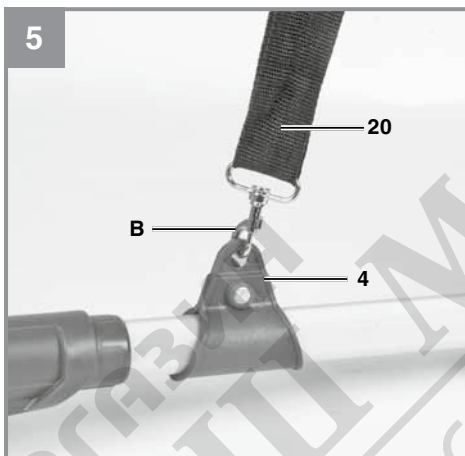
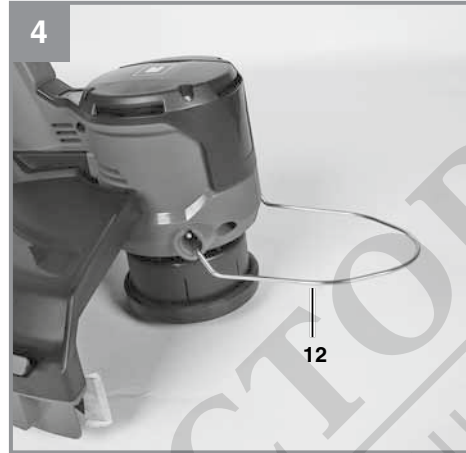
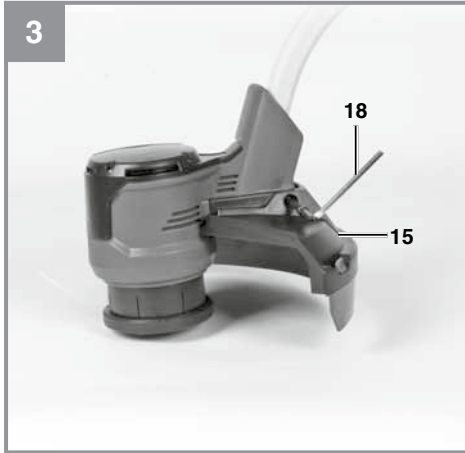
13

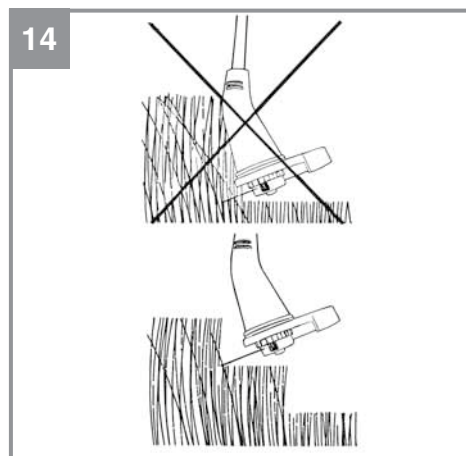
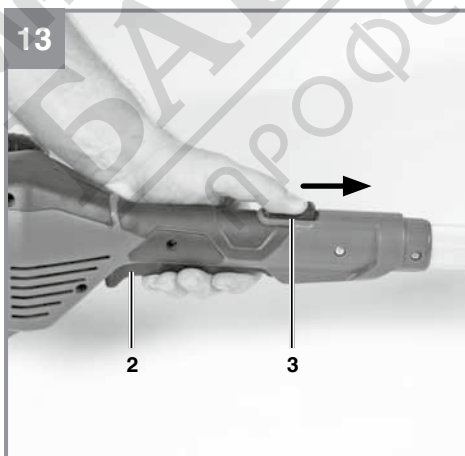
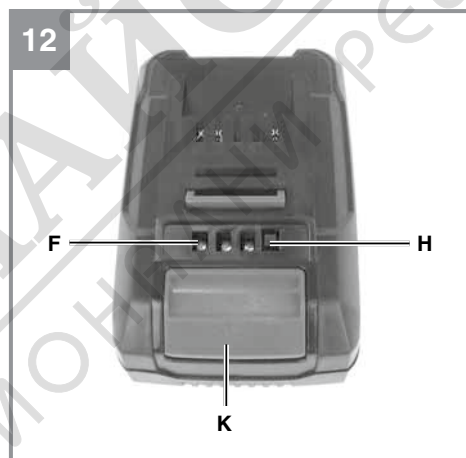
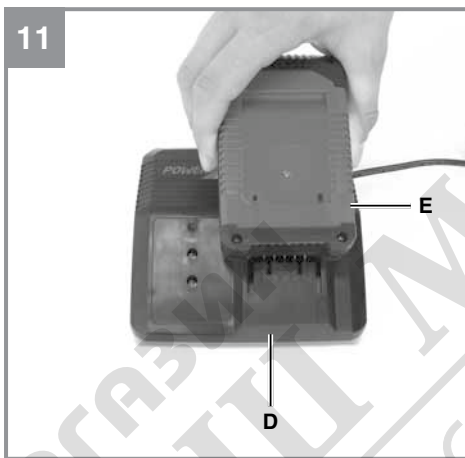
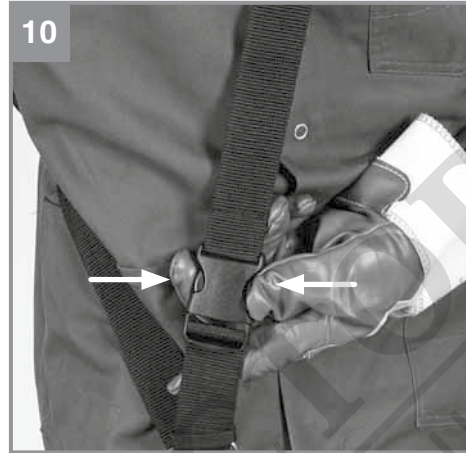


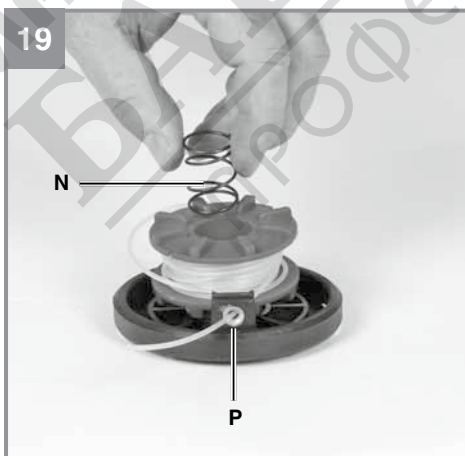
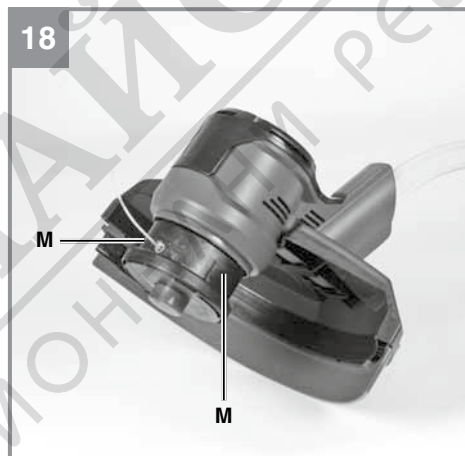
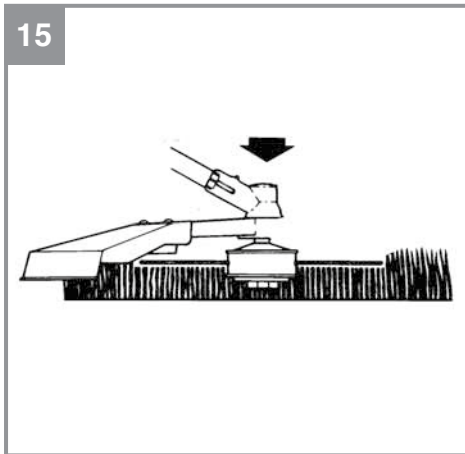
Art.-Nr.: 34.113.00

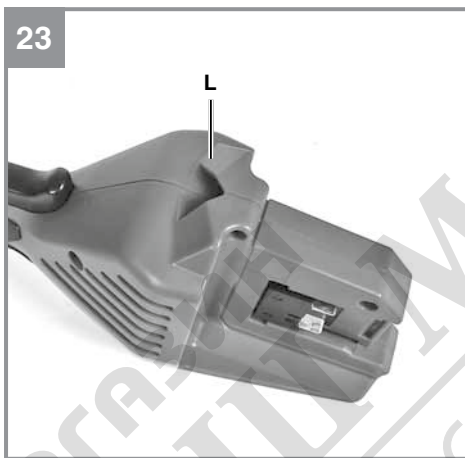
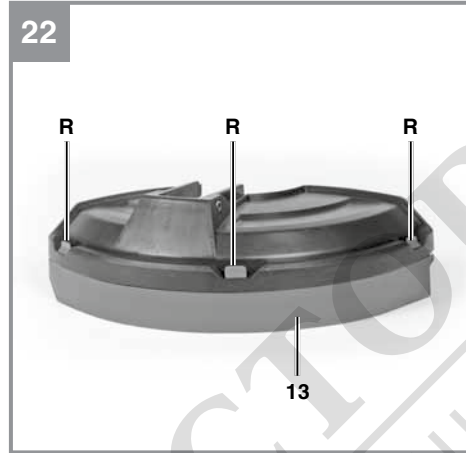
I.-Nr.: 21021











Danger!

When using equipment, a few safety precautions must be observed to avoid injuries and damage. Please read the complete original operating instructions and safety information with due care. Keep these operating instructions in a safe place so that the information is available at all times. If you give the equipment to any other person, hand over these original operating instructions and the safety information as well. We cannot accept any liability for damage or accidents which arise due to failure to follow these instructions and the safety information.

Explanation of the warning signs on the equipment (see Fig. 24)

- 1: Warning!
- 2: Wear goggles and ear muffs!
- 3: Protect from moisture!
- 4: Read the instruction manual before starting!
- 5: Keep other people out of the danger area!
- 6: The equipment continues to rotate!

1. Safety information

For the relevant safety information please refer to the booklet included in delivery.

Danger!

Read all the safety information and instructions. Any errors made in following the safety information and instructions set out below may result in an electric shock, fire and/or serious injury. **Keep all the safety information and instructions in a safe place for future use.**

This equipment is not allowed to be used by children. Children should be supervised so that they do not play with the equipment. Children are not allowed to carry out the cleaning or maintenance. This equipment is not allowed to be used by people with limited physical, sensory or mental capacities or by those with insufficient knowledge or experience unless they are supervised or instructed by a person who is responsible for them.

2. Layout and items supplied**2.1 Layout (Fig. 1/2)**

1. Battery mount
2. On/Off switch
3. Safety lock-off
4. Strap attachment

5. Additional handle attachment
6. Top part of long handle
7. Handle connecting piece
8. Union nut
9. Bottom part of long handle
10. Motor housing
11. Spool housing
12. Edge guide
13. Line safety guard
14. Thread cutter
15. Guard hood
16. Additional handle
17. Handle screw
18. Hexagon key
19. Line
20. Harness

2.2 Items supplied

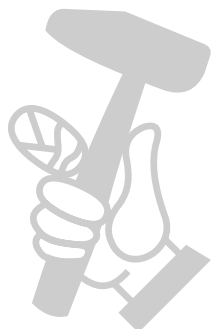
Please check that the article is complete as specified in the scope of delivery. If parts are missing, please contact our service center or the sales outlet where you made your purchase at the latest within 5 working days after purchasing the product and upon presentation of a valid bill of purchase. Also, refer to the warranty table in the service information at the end of the operating instructions.

- Open the packaging and take out the equipment with care.
- Remove the packaging material and any packaging and/or transportation braces (if available).
- Check to see if all items are supplied.
- Inspect the equipment and accessories for transport damage.
- If possible, please keep the packaging until the end of the guarantee period.

Danger!

The equipment and packaging material are not toys. Do not let children play with plastic bags, foils or small parts. There is a danger of swallowing or suffocating!

- Top section of the trimmer
- Bottom section of the trimmer with line spool
- Guard hood
- Steady grip
- Hexagon key
- Harness
- Original operating instructions
- Safety information



3. Intended use

The equipment is designed for cutting lawns and grassed areas. It is not designed to be used for public facilities, parks, sports centers, along roadways, or in agriculture and forestry.

The operating instructions as supplied by the manufacturer must be kept and referred to in order to ensure that the equipment is properly used and maintained.

Important. This equipment must not be used for composting purposes (shredding) as this could result in injury or damage to property.

The equipment may be used only for the tasks it is designed to handle. Any other use is deemed to be a case of misuse. The user/operator and not the manufacturer will be liable for any damage or injuries of any kind resulting from such misuse.

Please note that our equipment has not been designed for use in commercial, trade or industrial applications. Our warranty will be voided if the equipment is used in commercial, trade or industrial businesses or for equivalent purposes.

Caution!

Residual risks

Even if you use this electric power tool in accordance with instructions, certain residual risks cannot be ruled out. The following hazards may arise in connection with the equipment's construction and layout:

- Lung damage if no suitable protective dust mask is used.
- Damage to hearing if no suitable ear protection is used.
- Health damage caused by hand-arm vibrations if the equipment is used over a prolonged period or is not properly guided and maintained.
- Injuries and material damage caused by flying parts.
- Cut injuries if suitable protective clothing is not worn.

Danger!

The electric power tool generates an electromagnetic field during operation. Under certain circumstances this field may actively or passively impede medical implants. To reduce the risk of serious or fatal injuries, we recommend persons

with medical implants to consult their doctor and the manufacturer of the medical implant prior to using the equipment.

4. Technical data

Voltage.....	36 V d.c.
Speed n_0	9,000 min ⁻¹
Cutting circle	Ø 30 cm
Protection class	III
Sound power level L_{WA}	94.18 dB (A)
Sound pressure level L_{pA}	88.8 dB (A)
K uncertainty.....	1.46 dB
Vibration a_h	3.559 m/s ²
K uncertainty	1.5 m/s ²
Weight:	3.05 kg
Sound pressure level at the operator's ear.....	88.8 dB(A)
K uncertainty.....	3 dB (A)

Caution!

The equipment is supplied without batteries and without a charger and is allowed to be used only with the lithium-ion batteries (two batteries) of the Power-X-Change series!

The lithium-ion batteries of the Power-X-Change series are allowed to be charged only with the Power-X charger.

Charging unit Power-X-Change

Mains voltage 200-250 V~ 50-60 Hz

Output

Rated voltage.....	21 V d. c.
Rated current	3000 mA
Protection class	II/□

The machine noise might exceed 85 dB (A). The operator will require noise protection measures if this is the case. The noise is measured in accordance with EN ISO 11201:2010 and EN ISO 3744:2010. The value of the vibrations emitted by the handle was determined in accordance with EN 28662-1:1992.

Important.

The vibration value changes according to the area of application of the electric equipment and may exceed the specified value in exceptional circumstances.

Reduce noise generation and vibration to a minimum!

- Use only equipment that is in perfect condition.
- Maintain and clean the equipment regularly.
- Adapt your way of working to the equipment.
- Do not overload the equipment.
- Have the equipment checked if necessary.
- Switch off the equipment when not in use.
- Wear gloves.

5. Before using the equipment

The equipment is supplied without batteries and without a charger!

5.1 Fitting the guard hood (Fig. 3)

Remove the socket head screw from the guard hood. Push the guard hood (15) onto the mount on the motor housing as far as it will go and screw it securely in place with the previously removed socket head screw (Fig. 3). A blade (Fig. 2/ Item 14) on the underside of the guard hood automatically cuts the cutting line to the optimum length. This is provided with a safety guard. Remove the safety guard before starting work.

5.2 Fitting the edge guide (Fig. 4)

Pull the ends of the edge guide (Item 12) slightly apart and insert the ends in the holes provided on the left and right in the motor housing.

5.3 Fitting the harness (Fig. 5)

Hook the carabiner (B) of the harness (20) into the strap attachment (4).

5.4 Fitting the long handle (Fig. 6)

Slot the top part of the long handle (6) into the bottom part of the long handle (9). Screw the handle connecting piece (7) to the bottom part of the long handle with the union nut (8) on the top part of the long handle.

5.5 Fitting the additional handle (Fig. 7)

Attach the additional handle (16) to the attachment (5) and screw both parts together with the handle screw (17).

5.6 Adjusting the additional handle (Fig. 8)

- Adjusting the tilt
Undo the handle screw (17). Set the desired tilt of the additional handle (16). Tighten the handle screw (17) again.
- Shifting the additional handle
Open (a) the lock (C) and move the additional handle to the desired position. Close (b) the lock (C).

5.7 Using the harness

The harness is intended to help you work safely and ergonomically. Always switch off the equipment before you release the harness – risk of injury.

- Hook the carabiner (Fig. 5/Item B) into the strap attachment.
- Slip the harness over your left shoulder (Fig. 9).
- Set the length of the harness in such a way that the cutting head runs parallel to the ground. To establish the optimum length of the harness, you should then make a few swinging movements without starting the equipment.
- The harness is equipped with a buckle. Press the hooks together (Fig. 10) if you need to put down the equipment quickly.

Each time before use, check the following :

- That the equipment is in perfect condition and that the safety devices and cutting devices are complete.
- That all screws are securely fastened.
- That all moving parts move smoothly.

5.8 Installing the battery

Push the rechargeable batteries into the battery mounts provided on the left and right on the equipment (Fig. 2/Item 1). The battery will be heard to click into place when it has been pushed fully in (Fig. 1). To take out the battery, press the pushlock button (Fig. 12/Item K) and remove the battery.

5.9 Charging the battery (Fig. 11)

- Take the battery pack out of the equipment. Do this by pressing the side pushlock buttons.
- Check that your mains voltage is the same as that marked on the rating plate of the battery charger. Insert the power plug of the charger (8) into the mains socket outlet. The green LED will then begin to flash.
- Insert the battery pack (7) into the battery charger (8).

4. In section „Charger indicator“ you will find a table with an explanation of the LED indicator on the charger.

The battery pack can become a little warm during the charging. This is normal. If the battery pack fails to charge, check:

- whether there is voltage at the socket outlet
- whether there is good contact at the charging contacts

If the battery pack still fails to charge, send

- the charging unit
- and the battery pack

to our customer service center.

To ensure that items are properly packaged and delivered when you send them to us, please contact our customer service or the point of sale at which the equipment was purchased.

When shipping or disposing of batteries and cordless tools, always ensure that they are packed individually in plastic bags to prevent short circuits and fires.

To ensure that the battery pack provides long service, you should take care to recharge it promptly. You must recharge the battery pack when you notice that the performance of the device drops. Never allow the battery pack to become fully discharged. This will cause it to develop a defect.

5.10 Battery capacity indicator (Fig. 12)

Press the switch for the battery capacity indicator (Item F). The battery capacity indicator (Item H) shows the charge status of the battery using 3 LEDs.

All 3 LEDs are lit:

The battery is fully charged.

2 or 1 LED(s) are lit:

The battery has an adequate remaining charge.

1 LED flashes:

The battery is empty, recharge the battery.

All LEDs blink:

The battery temperature is too low. Remove the battery from the equipment, keep it at room temperature for one day. If the fault reoccurs, this means that the rechargeable battery has undergone exhaustive discharge and is defective. Remove

the battery from the equipment. Never use or charge a defective battery.

6. Operation

Please note that the statutory regulations governing noise abatement may differ from one location to another.

Danger! The guard hood must be fitted when carrying out work.

6.1 Switching the equipment on and off, adjusting the speed (Fig. 13)

Switching on and setting the speed

Press the safety lock-off (3) forwards and press the On/Off switch (2) at the same time. Adjust the speed during operation by pressing the On/Off switch to a greater or lesser extent. The harder you push, the higher the speed.

Switching off

Release the On/Off switch.

6.2 Practical tips

Practice all the work steps with the motor switched off and without the rechargeable battery before you start to use the equipment. Only ever cut grass that is dry. If the grass is long, the grass must be cut shorter in stages (Fig. 14).

Extending the cutting line (Fig. 15)

Danger! Do not use any kind of metal wire or metal wire encased in plastic in the line spool. This may cause serious injuries to the user.

The grass trimmer has a semi-automatic line extension system (automatic jog line feed). Each time you activate the semi-automatic line extension system, the line is automatically extended to ensure that you can cut your lawn with the perfect cutting width at all times. To extend the cutting line, run the motor and tap the line spool on the ground. This will automatically extend the line. The blade on the guard hood will cut the line to the permissible length. Please note that the more often you activate the semi-automatic line extension system, the more the line will wear.

Note: If the line is too long when you use the equipment for the first time, the surplus end of it will be cut by the blade on the guard hood. If the

line is too short when you start the equipment for the first time, press the knob on the line spool and pull the line hard. When you then start the machine for the first time the line will be cut to the perfect length automatically.

Using a brush or similar, carefully remove all residual grass from the underside of the guard hood at regular intervals.

Different cutting methods

Caution! To use the edge guide along walls or objects, swing the edge guide forward to the front (Fig. 4). Swing it up when not in use (Fig. 16). Please note: Even if it is used carefully, cutting around foundations, stone or concrete walls, etc. will result in the line suffering above normal wear.

Trimming/mowing

Swing the trimmer from side to side in a scything motion. Always keep the line spool parallel to the ground. Check the site and decide what cutting height you require. Guide and hold the line spool at the required height to ensure that you cut evenly.

Low trimming

Hold the trimmer right in front of you at a slight angle so that the underside of the line spool is above the ground and the line strikes the correct target. Always cut away from yourself. Never draw the trimmer towards yourself.

Cutting along fences/foundations Edge guide recommended!

When cutting approach wire mesh fences, lath fences, natural stone walls and foundations slowly so that you can cut close to them without striking the obstacle with the line. If, for example, the line strikes stones, stone walls or foundations, it will wear or fray. If the line strikes wire fencing it will break.

Trimming around trees Edge guide recommended!

When trimming around tree trunks, approach slowly so that the line does not strike the bark. Walk around the tree, cutting from left to right. Approach grass or weeds with the tip of the line and tilt the line spool forwards slightly. Warning: Take extreme care during mowing work. When doing such work keep a distance of 30 meters between yourself and other people or animals.

Mowing

For mowing you want to cut all the vegetation down to the ground. To do this, set the line spool at an angle of 30° to the right. Place the handle in the required position. Remember the increased risk of injury to the user, watchers and animals and the danger of damaging other items due to objects (for example stones) being thrown out (Fig. 17).

Warning: Do not remove any objects from foot-paths, etc. using the equipment.

The equipment is a powerful tool and can throw small stones and other objects a distance of 15 meters or more, causing injuries and damage to cars, houses and windows.

Sawing

The equipment is not suitable for sawing.

7. Cleaning, maintenance and ordering of spare parts

Danger!

Before putting away or cleaning the grass trimmer, switch off and remove the battery pack.

7.1 Cleaning

- Keep all safety devices, air vents and the motor housing free of dirt and dust as far as possible. Wipe the equipment with a clean cloth or blow it down with compressed air at low pressure.
- We recommend that you clean the equipment immediately after you use it.
- Clean the equipment regularly with a damp cloth and some soft soap. Do not use cleaning agents or solvents; these may be aggressive to the plastic parts in the equipment. Ensure that no water can get into the interior of the equipment. The ingress of water into an electric tool increases the risk of an electric shock.
- Use a brush to remove deposits from the safety guard.

7.2 Replacing the line spool

Danger! Remove the battery packs!

1. Fig. 18 Press the line spool housing together at the points marked M and remove the spool cover.
2. Remove the empty line spool and the pressure spring.
3. Fig. 19 Thread the end of the line on the new

line spool through the eyelet (P) in the spool cover and allow approx. 13 cm of line to project. Place the pression spring (N) in the line spool.

4. Press the spool cover back into the line spool housing.

7.3 Replacing the cutting line

Danger! Remove the battery packs!

1. Fig. 18 Press the line spool housing together at the points marked M and remove the spool cover.
2. Remove the empty line spool and the pression spring.
3. Remove any remaining cutting line if there is any.
4. Fig. 20 Insert the new cutting line through the line mount inside the spool.
5. Wind the line with tension in a counter-clockwise direction.
6. Fig. 21 Hook the line, approx. 15 cm before the end of the line, into one of the line holders on the edge of the spool.
7. Fig. 19 Thread the end of the line on the new line spool through the eyelet (P) in the spool cover. Place the pression spring (N) in the line spool.
8. Pull the line sharply to release it from the line holder.
9. Press the spool cover back into the line spool housing.

When you start the equipment again the line will be cut to the perfect length automatically.

Caution! Bits of the nylon line could cause injury when flung out.

7.4 Sharpening the guard hood blade

The guard hood blade (Fig. 2/Item 14) can become blunt over time. When you notice this, undo the screw holding the guard hood blade on the guard hood. Clamp the blade in a vise. Sharpen the blade with a flat file and make sure that the angle of the cutting edge is not altered in the process. File in one direction only.

7.5 Replacing the cutting line cover (Fig. 22)

If you need to replace the line safety guard (13), remove any screws if there are any, press the lugs (R) in and pull off the line safety guard. Press the lugs (R) on the new line safety guard (13) into the location holes provided.

7.6 Maintenance

There are no other parts inside the equipment which require maintenance.

7.7 Ordering spare parts

Please provide the following information on all orders for spare parts:

- Model/type of the equipment
- Article number of the equipment
- ID number of the equipment
- Spare part number of the required spare part

For our latest prices and information please go to www.Einhell-Service.com

Spare line spool Art. No.: 34.050.96

8. Disposal and recycling

The equipment is supplied in packaging to prevent it from being damaged in transit. The raw materials in this packaging can be reused or recycled. The equipment and its accessories are made of various types of material, such as metal and plastic. Defective components must be disposed of as special waste. Ask your dealer or your local council.

9. Storage

Store the equipment and accessories in a dark and dry place at above freezing temperature. The ideal storage temperature is between 5 and 30 °C. Store the electric tool in its original packaging.

The equipment has an integrated wall holder (Fig. 23/Item L) to enable it to be hung on the wall.

10. Transport

- Always carry the tool with one hand on the handle and the other on the additional handle. Do not carry the tool by the motor housing.
- Secure the tool against slipping if transporting it by car.
- If possible, use the original packaging for transportation.

11. Faults

The equipment does not work:

Check that the battery is charged and whether the charging unit is working. If the equipment will not work in spite of the voltage supply being OK, please send it to the customer service address below.



For EU countries only

Never place any electric power tools in your household refuse.

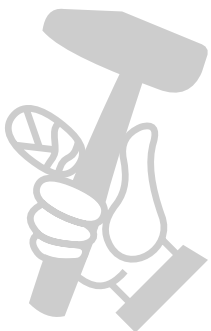
To comply with European Directive 2012/19/EC concerning old electric and electronic equipment and its implementation in national laws, old electric power tools have to be separated from other waste and disposed of in an environment-friendly fashion, e.g. by taking to a recycling depot.

Recycling alternative to the return request:

As an alternative to returning the equipment to the manufacturer, the owner of the electrical equipment must make sure that the equipment is properly disposed of if he no longer wants to keep the equipment. The old equipment can be returned to a suitable collection point that will dispose of the equipment in accordance with the national recycling and waste disposal regulations. This does not apply to any accessories or aids without electrical components supplied with the old equipment.

The reprinting or reproduction by any other means, in whole or in part, of documentation and papers accompanying products is permitted only with the express consent of the Einhell Germany AG.

Subject to technical changes



12. Charger indicator

Indicator status		Explanations and actions
Red LED	Green LED	
Off	Flashing	Ready for use The charger is connected to the mains and is ready for use; there is no battery pack in the charger
On	Off	Charging The charger is charging the battery pack in quick charge mode. The charging times are shown directly on the charger. Important! The actual charging times may vary slightly from the stated charging times depending on the existing battery charge.
Off	On	The battery is charged and ready for use. The unit then changes over to gentle charging mode until the battery is fully charged. To do this, leave the rechargeable battery on the charger for approx. 15 minutes longer. Action: Take the battery pack out of the charger. Disconnect the charger from the mains supply.
Flashing	Off	Adapted charging The charger is in gentle charging mode. For safety reasons the charging is performed less quickly and takes more time. The reasons can be: - The rechargeable battery has not been used for a very long time. - The battery temperature is outside the ideal range. Action: Wait for the charging to be completed; you can still continue to charge the battery pack.
Flashing	Flashing	Fault Charging is no longer possible. The battery pack is defective. Action: Never charge a defective battery pack. Take the battery pack out of the charger.
On	On	Temperature fault The battery pack is too hot (e.g. due to direct sunshine) or too cold (below 0° C). Action: Remove the battery pack and keep it at room temperature (approx. 20° C) for one day .

Service information

We have competent service partners in all countries named on the guarantee certificate whose contact details can also be found on the guarantee certificate. These partners will help you with all service requests such as repairs, spare and wearing part orders or the purchase of consumables.

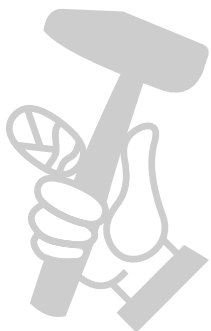
Please note that the following parts of this product are subject to normal or natural wear and that the following parts are therefore also required for use as consumables.

Category	Example
Wear parts*	Battery, Line spool holder
Consumables*	Line, Line spool
Missing parts	

* Not necessarily included in the scope of delivery!

In the effect of defects or faults, please register the problem on the internet at www.Einhell-Service.com. Please ensure that you provide a precise description of the problem and answer the following questions in all cases:

- Did the equipment work at all or was it defective from the beginning?
- Did you notice anything (symptom or defect) prior to the failure?
- What malfunction does the equipment have in your opinion (main symptom)? Describe this malfunction.



Warranty certificate

Dear Customer,

All of our products undergo strict quality checks to ensure that they reach you in perfect condition. In the unlikely event that your device develops a fault, please contact our service department at the address shown on this guarantee card. You can also contact us by telephone using the service number shown. Please note the following terms under which guarantee claims can be made:

1. These guarantee terms apply to consumers only, i.e. natural persons intending to use this product neither for their commercial activities nor for any other self-employed activities. These warranty terms regulate additional warranty services, which the manufacturer mentioned below promises to buyers of its new products in addition to their statutory rights of guarantee. Your statutory guarantee claims are not affected by this guarantee. Our guarantee is free of charge to you.
2. The warranty services cover only defects due to material or manufacturing faults on a product which you have bought from the manufacturer mentioned below and are limited to either the rectification of said defects on the product or the replacement of the product, whichever we prefer.
Please note that our devices are not designed for use in commercial, trade or professional applications. A guarantee contract will not be created if the device has been used by commercial, trade or industrial business or has been exposed to similar stresses during the guarantee period.
3. The following are not covered by our guarantee:
 - Damage to the device caused by a failure to follow the assembly instructions or due to incorrect installation, a failure to follow the operating instructions (for example connecting it to an incorrect mains voltage or current type) or a failure to follow the maintenance and safety instructions or by exposing the device to abnormal environmental conditions or by lack of care and maintenance.
 - Damage to the device caused by abuse or incorrect use (for example overloading the device or the use of unapproved tools or accessories), ingress of foreign bodies into the device (such as sand, stones or dust, transport damage), the use of force or damage caused by external forces (for example by dropping it).
 - Damage to the device or parts of the device caused by normal or natural wear or tear or by normal use of the device.
4. The guarantee is valid for a period of 24 months starting from the purchase date of the device. Guarantee claims should be submitted before the end of the guarantee period within two weeks of the defect being noticed. No guarantee claims will be accepted after the end of the guarantee period. The original guarantee period remains applicable to the device even if repairs are carried out or parts are replaced. In such cases, the work performed or parts fitted will not result in an extension of the guarantee period, and no new guarantee will become active for the work performed or parts fitted. This also applies if an on-site service is used.
5. To make a claim under the guarantee, please register the defective device at: www.Einhell-Service.com. Please keep your bill of purchase or other proof of purchase for the new device. Devices that are returned without proof of purchase or without a rating plate shall not be covered by the guarantee, because appropriate identification will not be possible. If the defect is covered by our guarantee, then the item in question will either be repaired immediately and returned to you or we will send you a new replacement.

Of course, we are also happy offer a chargeable repair service for any defects which are not covered by the scope of this guarantee or for units which are no longer covered. To take advantage of this service, please send the device to our service address.

Also refer to the restrictions of this warranty concerning wear parts, consumables and missing parts as set out in the service information in these operating instructions.

