



GE-HH 18/45 Li T

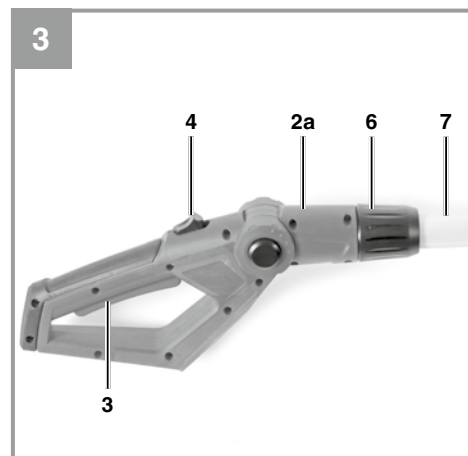
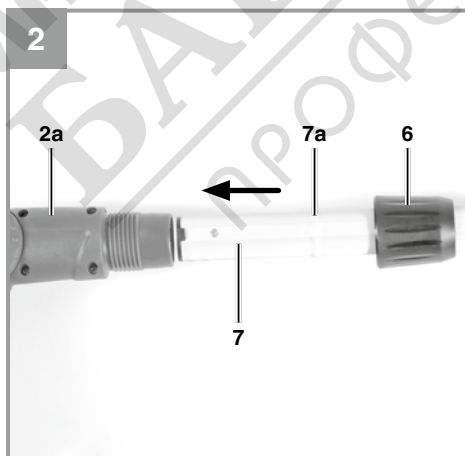
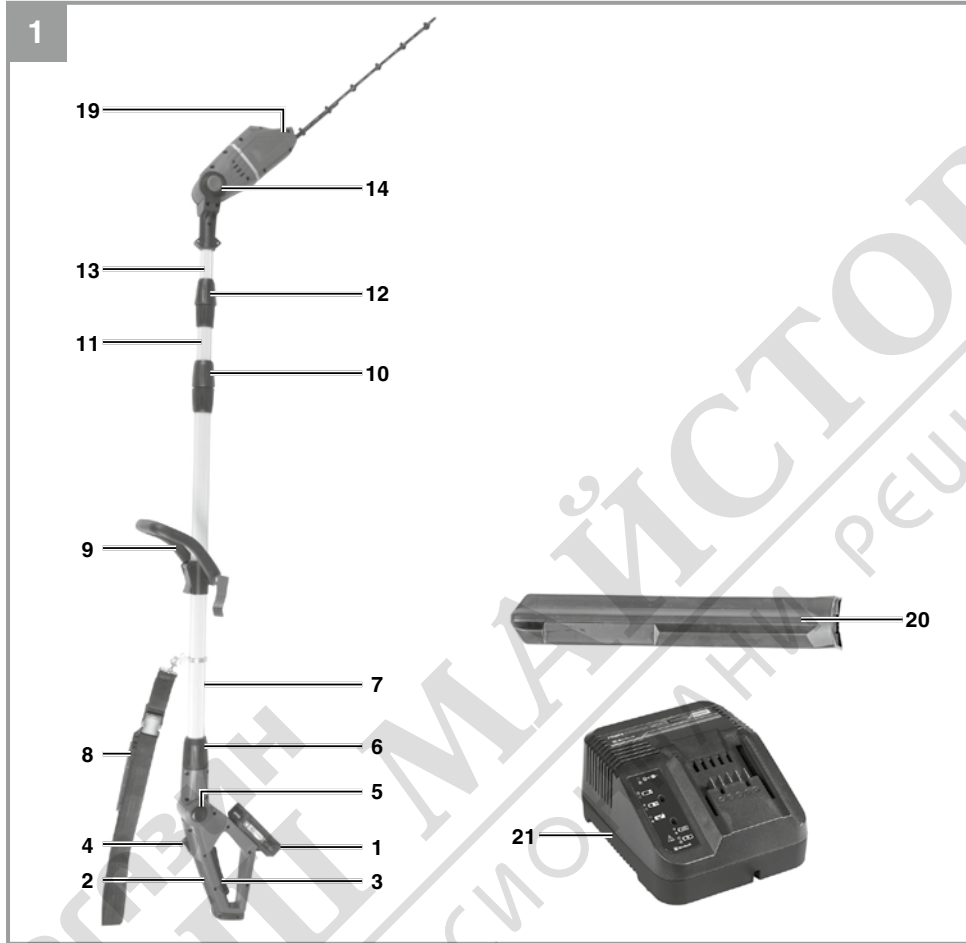
D	Originalbetriebsanleitung Akku-Teleskop-Heckenschere	FIN	Alkuperäiskäyttöohje Akkukäyttöiset pensassakset
GB	Original operating instructions Cordless telescopic hedge trimmer	SLO	Originalna navodila za uporabo Baterijske škarje za živo mejo
F	Instructions d'origine Taille-haies a accumulateur	H	Eredeti használati utasítás Akku-kerti olló
I	Istruzioni per l'uso originali Cesoie per siepi a batteria	RO	Instrucțiuni de utilizare originale Foarfece pentru gard viu cu acumulator
DK/ N	Original betjeningsvejledning Akku-hækkeklipper	GR	Πρωτότυπες Οδηγίες χρήσης Θαμνοκοπτης μπαταριας
S	Original-bruksanvisning Batteridrivnen häcksax	P	Manual de instruções original Corta-sebes sem fio
CZ	Originální návod k obsluze Akumulátorové plotové nůžky	HR/ BIH	Originalne upute za uporabu Akumulatorske škare za živicu
SK	Originálny návod na obsluhu Akumulátorové záhradnícke nožnice	RS	Originalna uputstva za upotrebu Akumulatorske makaze za živicu
NL	Originele handleiding Accuheggschaar	PL	Instrukcją oryginalną Akumulatorowe nożyce
E	Manual de instrucciones original Tijeras recortasetos de pilas recargables	TR	Orijinal Kullanma Talimatı Şarjli çit makasi

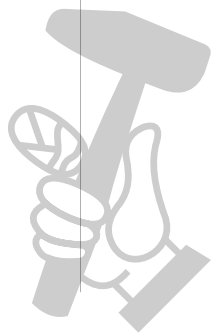
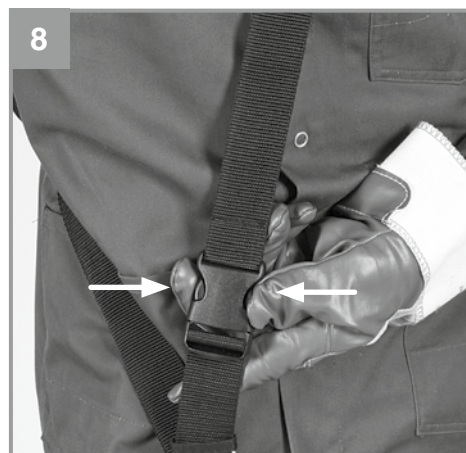
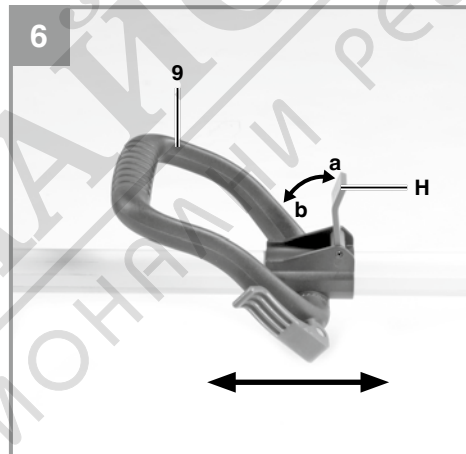
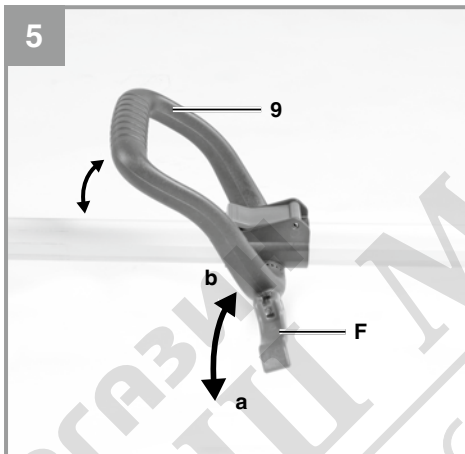
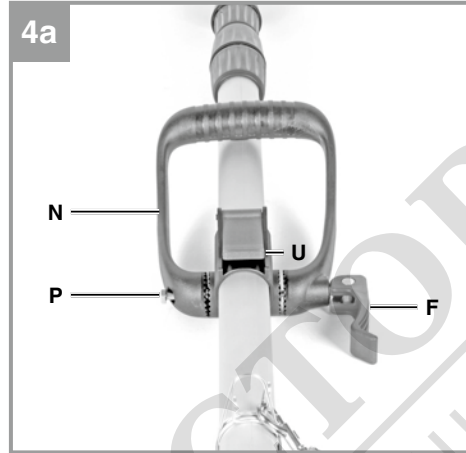
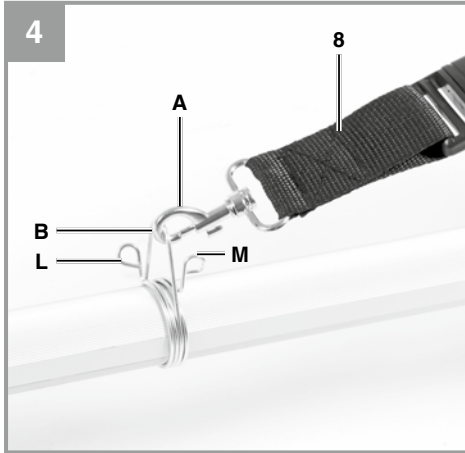
13



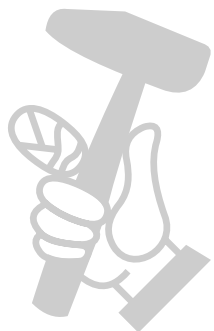
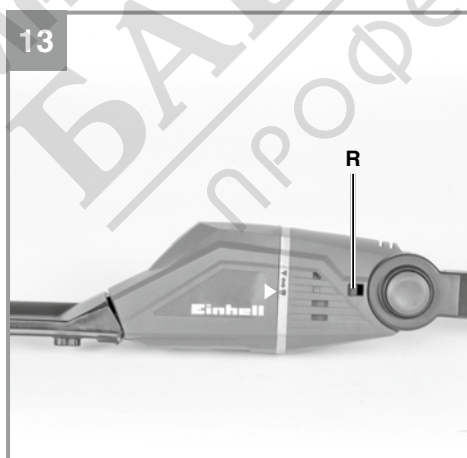
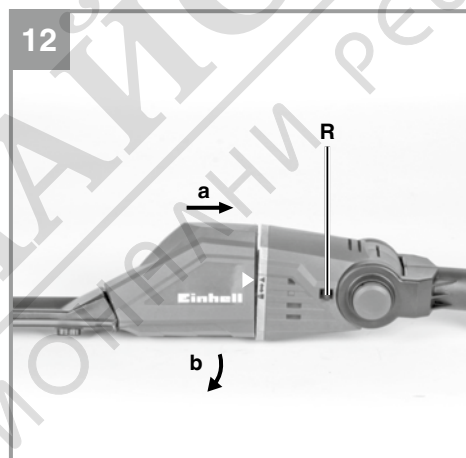
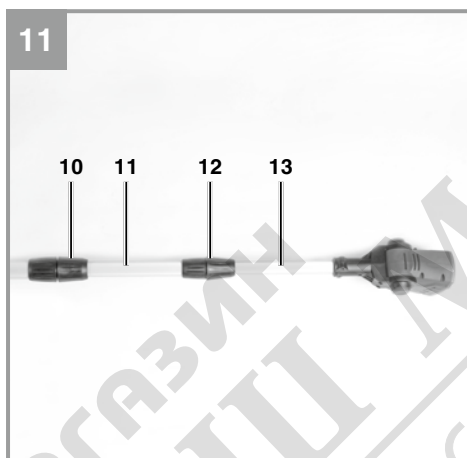
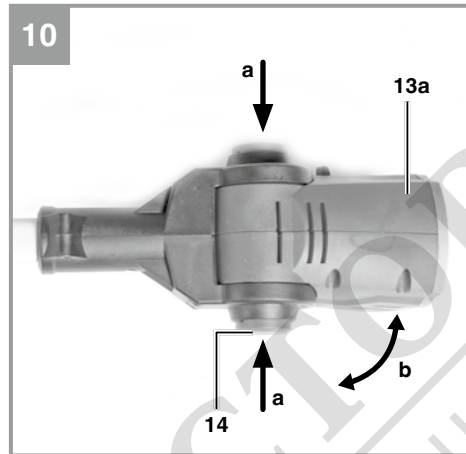
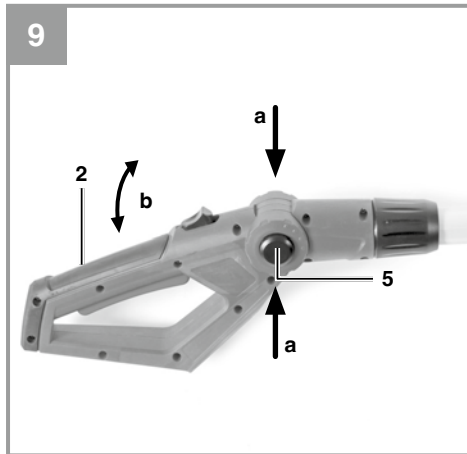
Art.-Nr.: 34.108.66 (Solo)

I.-Nr.: 21021

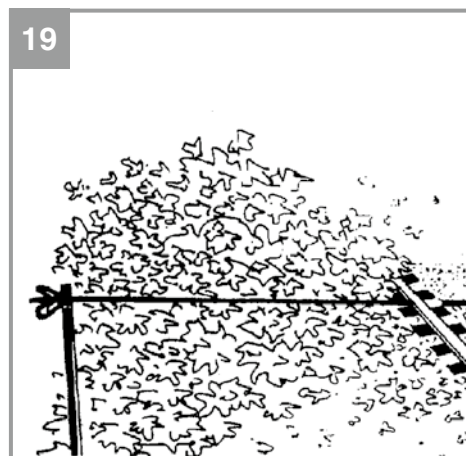
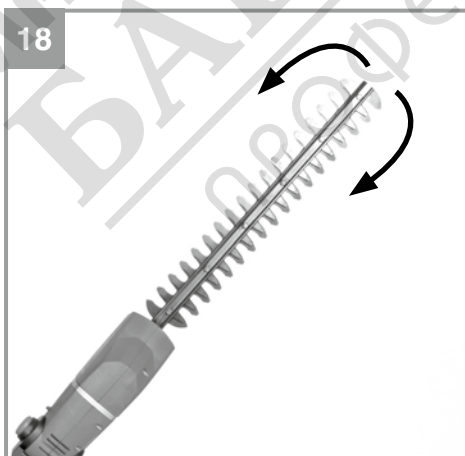
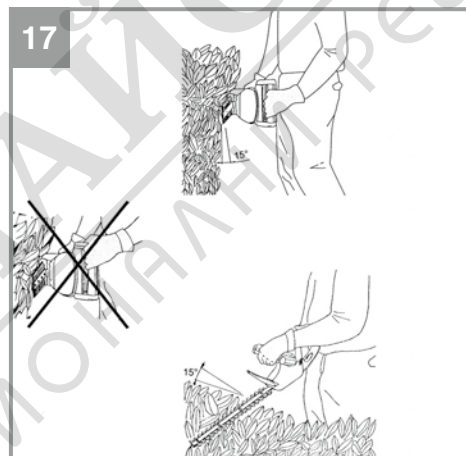
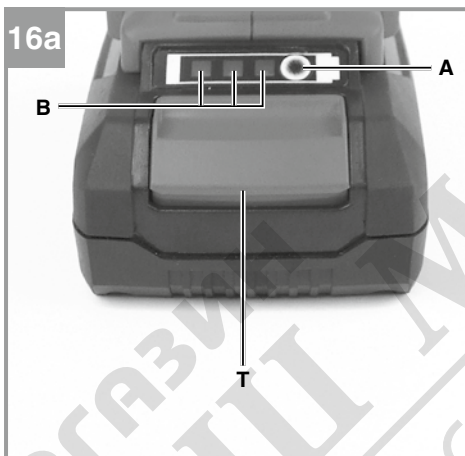
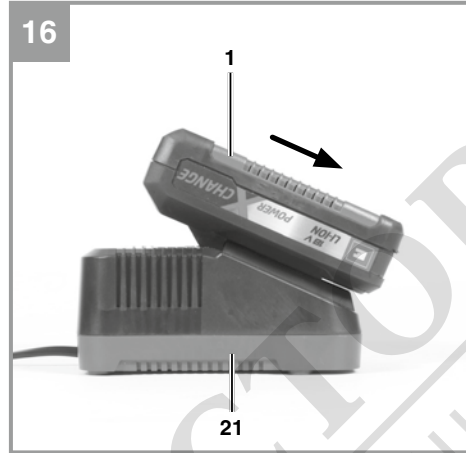


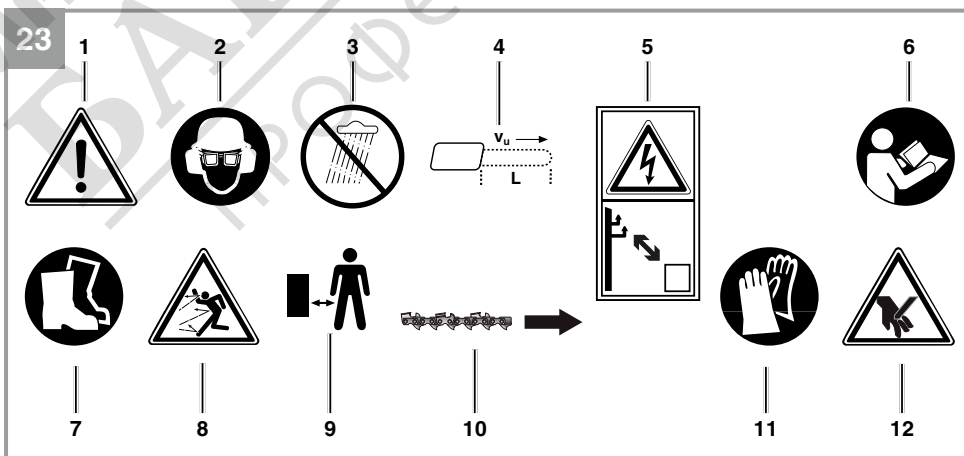
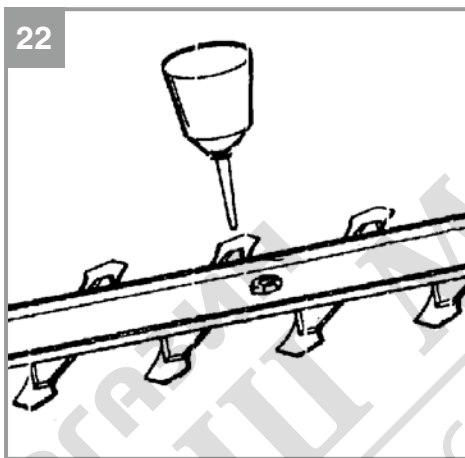
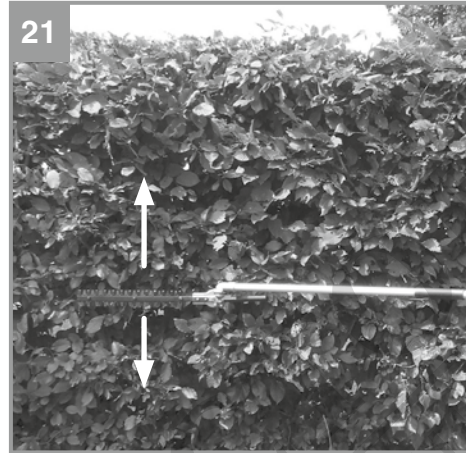
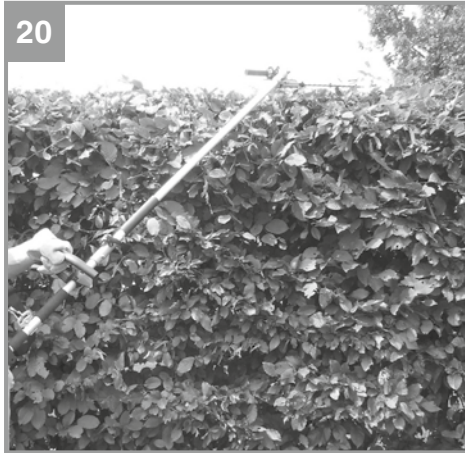


МАГАЗИНЫ МАШИНОСТРОЕНИЯ



МАГАЗИН МАЙСТОР
 БАШ МАЙСТОР
 ПРОФЕСІОНАЛЬНІ РЕШЕННЯ





Danger!

When using the equipment, a few safety precautions must be observed to avoid injuries and damage. Please read the complete operating instructions and safety regulations with due care. Keep this manual in a safe place, so that the information is available at all times. If you give the equipment to any other person, hand over these operating instructions and safety regulations as well. We cannot accept any liability for damage or accidents which arise due to a failure to follow these instructions and the safety instructions.

Explanation of the symbols on the equipment (Fig. 23):

1. Warning!
2. Wear safety goggles, a face guard and ear protection.
3. Protect the equipment from rain and damp.
4. Maximum cutting length of the pole-mounted pruner.
5. Electric shock can cause fatal injury. Keep a distance of at least 10 m from power cables.
6. Read the directions for use before operating the equipment.
7. Wear sturdy, non-slip footwear.
8. Watch out for falling and catapulting parts.
9. Keep your distance.
11. Wear safety gloves.
12. Danger - Keep your hands away from the blade.

1. Safety regulations

The corresponding safety information can be found in the enclosed booklet.

Warning!

Read all the safety information, instructions, illustrations and technical data provided on or with this power tool. Failure to adhere to the following instructions may result in electric shock, fire and/or serious injury.

Keep all the safety information and instructions in a safe place for future use.

This appliance is not intended for use by persons (including children) with reduced physical, sensory or mental capabilities, or lack of experience and knowledge, unless they have been given supervision or instruction concerning use of the appliance by a person responsible for their safety. Children should be supervised to ensure that they do not play with the appliance.

2. Layout and items supplied**2.1 Layout (Fig. 1)**

1. Battery
2. Handle
3. On/Off switch
4. Safety lock-off
5. Safety lock-off for the handle angle adjuster
6. Assembly nut
7. Tube
8. Shoulder strap with safety release
9. Additional handle
10. Telescopic tube 1 lock nut
11. Telescopic tube 1
12. Telescopic tube 2 lock nut
13. Telescopic tube 2 with motor housing
14. Safety lock-off for the motor housing angle adjuster
19. Hedge trimmer mounting kit
20. Guard for hedge cutter blade
21. Charging unit

2.2 Items supplied

Please check that the article is complete as specified in the scope of delivery. If parts are missing, please contact our service center or the sales outlet where you made your purchase at the latest within 5 working days after purchasing the product and upon presentation of a valid bill of purchase. Also, refer to the warranty table in the service information at the end of the operating instructions.

- Open the packaging and take out the equipment with care.
- Remove the packaging material and any packaging and/or transportation braces (if available).
- Check to see if all items are supplied.
- Inspect the equipment and accessories for transport damage.
- If possible, please keep the packaging until the end of the guarantee period.

Danger!

The equipment and packaging material are not toys. Do not let children play with plastic bags, foils or small parts. There is a danger of swallowing or suffocating!

- Complete handle
- Complete tube with motor unit
- Shoulder strap with safety release
- Hedge trimmer mounting kit
- Guard for hedge cutter blade

- Battery pack (not included in delivery with Art. No. 34.108.66)
- Charging unit (not included in delivery with Art. No. 34.108.66)
- Original operating instructions
- Safety instructions

3. Proper use

Hedge trimmer

The hedge trimmer mounting kit is allowed to be used only on the supplied motor head.

Caution! This hedge trimmer is suitable for cutting hedges, bushes and shrubs. **Caution!** Do not use this equipment to cut grass.

The equipment is to be used only for its prescribed purpose. Any other use is deemed to be a case of misuse. The user / operator and not the manufacturer will be liable for any damage or injuries of any kind caused as a result of this.

Please note that our equipment has not been designed for use in commercial, trade or industrial applications. Our warranty will be voided if the machine is used in commercial, trade or industrial businesses or for equivalent purposes.

4. Technical data

Cutter bar length:	450 mm
Max. cutting length:	400 mm
Tooth spacing:	16 mm
Cuts/min:	1700

Danger!

Sound and vibration

Sound and vibration values were measured in accordance with ISO 22868.

L_{pA} sound pressure level	81.05 dB(A)
K_{pA} uncertainty	3 dB
L_{WA} sound power level measured	98.23 dB(A)
K_{WA} uncertainty	3 dB
L_{WA} sound power level guaranteed	102 dB(A)

Wear ear-muffs.

The impact of noise can cause damage to hearing.

Total vibration values (vector sum of three directions) determined in accordance with ISO 22867.

Handle under load

Vibration emission value $a_h \leq 2.5 \text{ m/s}^2$

The quoted total vibration value and the quoted noise emission values were measured in accordance with standardized test procedures and can be used to compare one electric tool with another. They can also be used for a provisional assessment of the level of exposure.

Warning!

The vibration and noise emission levels during actual use may vary from the values quoted, depending on the way in which the electric tool is used and, in particular, on the type of workpiece being processed.

For the operator's protection it is essential to specify safety measures based on an estimate of the exposure to vibrations during the actual conditions of use (all stages of the operating cycle must be considered in this connection, e.g. times in which the electric tool is OFF and times in which the tool is ON but operating without load).

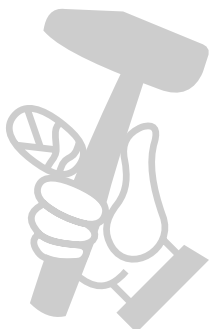
Try to keep the exposure to vibrations and noise as low as possible. Examples of measures for reducing the exposure to vibrations include the wearing of gloves when using the tool, the limiting of work time and the use of accessories that are in good condition.

Keep the noise emissions and vibrations to a minimum.

- Only use appliances which are in perfect working order.
- Service and clean the appliance regularly.
- Adapt your working style to suit the appliance.
- Do not overload the appliance.
- Have the appliance serviced whenever necessary.
- Switch the appliance off when it is not in use.
- Wear protective gloves.

5. Before starting the equipment

Caution! Do not fit the battery until the equipment has been fully assembled and all the settings have been actuated. Always wear protective gloves when working on the equipment to protect yourself against injury. Carefully unpack all parts and check that they are complete (Fig. 1).



5.1 General information on assembly

- Fig. 2-3: Push the tube (7) onto the handle housing (2a) as far as the bead (7a) and screw it tight with the assembly nut (6).
- Fig. 4: Hook the carabiner (A) of the shoulder strap (8) into the strap attachment (B).
- Fig. 4a: The additional handle consists of the handle (N), the hexagon screw (P) and the lock (F). It is fitted to the handle attachment (U) as illustrated. Push the hexagon screw (P) into the handle (N) and screw it tight to the lock (F).

5.2 Adjusting the additional handle (Fig. 5-6)

(a) Setting the tilt of the additional handle

Open (a) the lock (F). Set the desired tilt of the additional handle (9). Close (b) the lock (F).

(b) Shifting the additional handle

Open (a) the lock (H) and slide the additional handle (9) into the required position. Close (b) the lock (H).

5.3 Using the shoulder strap

Warning! Always use the shoulder strap when working with the equipment. Switch off the equipment before you take off the shoulder strap (risk of injury).

- Hook the carabiner (Fig. 4/Item A) into the strap holder.
- Slip the shoulder strap (Fig. 7/Item 8) over your shoulder.
- Adjust the length of the shoulder strap so that the strap attachment is at waist level (Fig. 7).
- The shoulder strap is equipped with a buckle. Press the hooks together (Fig. 8) if you need to put down the equipment quickly.
- To change the strap position on the equipment, press together the two metal loops (Fig. 4/Item L / M) and adjust the strap attachment on the tube.

5.4 Adjusting the angle of the handle (Fig. 9)

Press the two safety lock-offs (5) and adjust the angle of the handle (2) to any of 4 latching positions.

5.5 Adjusting the angle of the motor housing (Fig. 10)

Press the two safety lock-offs (14) and adjust the angle of the motor housing (13a) to any of 7 latching positions.

5.6 Adjusting the telescopic tube (Fig. 11)

- Undo the telescopic tube lock nuts (10 + 12) by turning them counter-clockwise.
- Pull out the telescopic tubes (11 + 13) to suit the required working height.
- Secure the telescopic tube lock nuts (10 + 12) by them turning clockwise.

5.7 Fitting the hedge trimmer mounting kit to the motor head (Fig. 12 – 13)

The guard must be slipped over the hedge cutter blade in order to prevent injuries.

- Position the hedge trimmer mounting kit and the motor head such that the arrows on both parts coincide.
- Press the hedge trimmer mounting kit against the motor head. This will cause the lock button (R) to be pushed to the right. Turn the hedge trimmer mounting kit clockwise. The hedge trimmer mounting kit will lock onto the motor head and is then secured in place. This will cause the lock button (R) to be pushed to the left.

5.8 Removing the hedge trimmer mounting kit from the motor head (Fig. 12 – 13)

The guard must be slipped over the hedge cutter blade in order to prevent injuries.

- Pull the lock button (R) to the right.
- Turn the hedge trimmer mounting kit to the point where the arrows on the motor head and hedge trimmer mounting kit coincide, allowing the mounting kit to be removed.

5.9 Fitting the battery (Fig. 14 - 15)

Press the side pushlock button (T) of the battery pack as shown in Fig. 14 and push the battery pack into the mount provided. When the battery pack is positioned as in Fig. 15, make sure that the pushlock button latches in place! To remove the battery pack, proceed in reverse order.

5.10 Charging the battery (Fig. 15-16)

- Take the battery pack out of the equipment. Do this by pressing the pushlock button (T).
- Check that your mains voltage is the same as that marked on the rating plate of the battery charger. Insert the power plug of the charger (21) into the mains socket outlet. The green LED will then begin to flash.
- Insert the battery pack (1) into the battery charger (21).
- In the section entitled „Charger indicator“ you will find a table with an explanation of the LED indicator on the charger.

The battery pack can become a little warm during the charging. This is normal.

If the battery pack fails to charge, check:

- whether there is voltage at the socket outlet
- whether there is good contact at the charging contacts.

If the battery pack still fails to charge, send

- the charging unit
- and the battery pack

to our customer service center.

To ensure that items are properly packaged and delivered when you send them to us, please contact our customer service or the point of sale at which the equipment was purchased.

When shipping or disposing of batteries and cordless tools, always ensure that they are packed individually in plastic bags to prevent short circuits and fires.

To ensure that the battery pack provides long service, you should take care to recharge it promptly. You must recharge the battery pack when you notice that the performance of the device drops. Never allow the battery pack to become fully discharged. This will cause it to develop a defect.

5.11 Battery capacity indicator (Fig. 16a)

Press the button for the battery capacity indicator (A). The battery capacity indicator (B) shows the charge status of the battery using 3 LEDs.

All 3 LEDs are lit:

The battery is fully charged.

2 or 1 LED(s) are lit:

The battery has an adequate remaining charge.

1 LED flashes:

The battery is empty, recharge the battery.

All LEDs blink:

The battery temperature is too low. Remove the battery from the equipment, keep it at room temperature for one day. If the fault reoccurs, this means that the rechargeable battery has undergone exhaustive discharge and is defective. Remove the battery from the equipment. Never use or charge a defective battery.

6. Operation

Please note that the statutory regulations governing noise abatement may differ from one location to another.

Caution! Always use the shoulder strap when working with the equipment. Always switch off the equipment before you take off the shoulder strap. Otherwise there is a risk of injury.

Put on the shoulder strap as described above, fit the required mounting kit and adjust the equipment to suit your needs.

Switching on/off

Switching on

- Hold the equipment by the handles with both hands (thumbs under the additional handle).
- Slide the safety lock-off (Fig. 3/Item 4) to the front and hold.
- Switch on the equipment with the On/Off switch (Fig. 3/Item 3). You can then release the safety lock-off.

Switching off

Release the On/Off switch (Fig. 3/Item 3).

7. Working with the hedge trimmer mounting kit

- Check that the cutters work properly. The twin-bladed cutters rotate in opposite directions, thus guaranteeing high cutting performance and smooth operation.
- Take care to maintain a steady foothold and hold the equipment firmly in both hands away from your body. Before you switch on, make sure that the equipment is not touching any objects.

Work practice

- A hedge trimmer can be used to cut shrubs and bushes as well as hedges.
- To obtain the best cutting results, hold the hedge trimmer so that the cutter teeth are at an angle of approx. 15° in relation to the hedge (see Fig. 17).
- The twin-bladed cutters rotate in opposite directions, thus enabling cutting in both directions (see Fig. 18).

- It is recommended to tie a guide line of string or the like along the hedge so that you cut the hedge to a level height. Cut off all branches which protrude beyond the guide line (see Fig. 19/20).
- Cut the sides of the hedge with curve-shaped movements from the bottom up (see Fig. 21).

8. Cleaning, maintenance and ordering of spare parts

Danger!

Remove the battery pack before doing any cleaning and maintenance work.

8.1 Cleaning

- Keep the handles free of grease so that you can maintain a firm grip.
- Never immerse the equipment in water or other liquids in order to clean it.
- Use a brush to remove deposits from the safety guards.
- Keep all safety devices, air vents and the motor housing free of dirt and dust as far as possible. Wipe the equipment with a clean cloth or blow it with compressed air at low pressure.
- We recommend that you clean the device immediately each time you have finished using it.
- Clean the equipment regularly with a moist cloth and some soft soap. Do not use cleaning agents or solvents; these could attack the plastic parts of the equipment. Ensure that no water can seep into the device. The ingress of water into an electric tool increases the risk of an electric shock.

8.2 Maintenance

The cutters should be cleaned and lubricated at regular intervals in order to ensure best performance at all times. Remove deposits with a brush and apply a thin film of oil (Fig. 22).

8.3 Ordering replacement parts:

Please quote the following data when ordering replacement parts:

- Type of machine
- Article number of the machine
- Identification number of the machine
- Replacement part number of the part required

For our latest prices and information please go to www.Einhell-Service.com

9. Disposal and recycling

The equipment is supplied in packaging to prevent it from being damaged in transit. The raw materials in this packaging can be reused or recycled. The equipment and its accessories are made of various types of material, such as metal and plastic. Never place defective equipment in your household refuse. The equipment should be taken to a suitable collection center for proper disposal. If you do not know the whereabouts of such a collection point, you should ask in your local council offices.

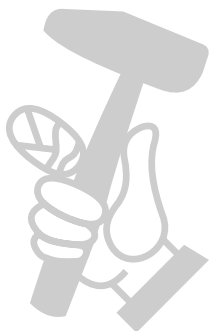
10. Storage

Store the equipment and accessories in a dark and dry place at above freezing temperature. The ideal storage temperature is between 5 and 30 °C. Store the electric tool in its original packaging.

11. Faults

The device does not operate:

Check whether the rechargeable battery is charged and whether the battery charger works. If the device still does not work even with a voltage supply, please send it to our customer services department at the address indicated.



12. Charger indicator

Indicator status		Explanations and actions
Red LED	Green LED	
Off	Flashing	<p>Ready for use The charger is connected to the mains and is ready for use; there is no battery pack in the charger</p>
On	Off	<p>Charging The charger is charging the battery pack in quick charge mode. The charging times are shown directly on the charger. Important! The actual charging times may vary slightly from the stated charging times depending on the existing battery charge.</p>
Off	On	<p>The battery is charged and ready for use. The unit then changes over to gentle charging mode until the battery is fully charged. To do this, leave the rechargeable battery on the charger for approx. 15 minutes longer. Action: Take the battery pack out of the charger. Disconnect the charger from the mains supply.</p>
Flashing	Off	<p>Adapted charging The charger is in gentle charging mode. For safety reasons the charging is performed less quickly and takes more time. The reasons can be: - The rechargeable battery has not been used for a very long time. - The battery temperature is outside the ideal range. Action: Wait for the charging to be completed; you can still continue to charge the battery pack.</p>
Flashing	Flashing	<p>Fault Charging is no longer possible. The battery pack is defective. Action: Never charge a defective battery pack. Take the battery pack out of the charger.</p>
On	On	<p>Temperature fault The battery pack is too hot (e.g. due to direct sunshine) or too cold (below 0° C). Action: Remove the battery pack and keep it at room temperature (approx. 20° C) for one day .</p>



For EU countries only

Never place any electric power tools in your household refuse.

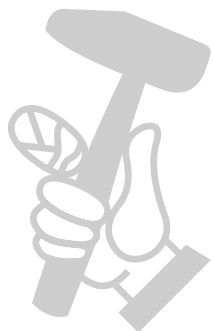
To comply with European Directive 2012/19/EC concerning old electric and electronic equipment and its implementation in national laws, old electric power tools have to be separated from other waste and disposed of in an environment-friendly fashion, e.g. by taking to a recycling depot.

Recycling alternative to the return request:

As an alternative to returning the equipment to the manufacturer, the owner of the electrical equipment must make sure that the equipment is properly disposed of if he no longer wants to keep the equipment. The old equipment can be returned to a suitable collection point that will dispose of the equipment in accordance with the national recycling and waste disposal regulations. This does not apply to any accessories or aids without electrical components supplied with the old equipment.

The reprinting or reproduction by any other means, in whole or in part, of documentation and papers accompanying products is permitted only with the express consent of the Einhell Germany AG.

Subject to technical changes



Service information

We have competent service partners in all countries named on the guarantee certificate whose contact details can also be found on the guarantee certificate. These partners will help you with all service requests such as repairs, spare and wearing part orders or the purchase of consumables.

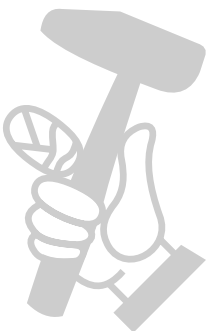
Please note that the following parts of this product are subject to normal or natural wear and that the following parts are therefore also required for use as consumables.

Category	Example
Wear parts*	Blade guide, Battery
Consumables*	Blade
Missing parts	

* Not necessarily included in the scope of delivery!

In the event of defects or faults, please register the problem on the internet at www.Einhell-Service.com. Please ensure that you provide a precise description of the problem and answer the following questions in all cases:

- Did the equipment work at all or was it defective from the beginning?
- Did you notice anything (symptom or defect) prior to the failure?
- What malfunction does the equipment have in your opinion (main symptom)? Describe this malfunction.



Warranty certificate

Dear Customer,

All of our products undergo strict quality checks to ensure that they reach you in perfect condition. In the unlikely event that your device develops a fault, please contact our service department at the address shown on this guarantee card. You can also contact us by telephone using the service number shown. Please note the following terms under which guarantee claims can be made:

1. These guarantee terms apply to consumers only, i.e. natural persons intending to use this product neither for their commercial activities nor for any other self-employed activities. These warranty terms regulate additional warranty services, which the manufacturer mentioned below promises to buyers of its new products in addition to their statutory rights of guarantee. Your statutory guarantee claims are not affected by this guarantee. Our guarantee is free of charge to you.
2. The warranty services cover only defects due to material or manufacturing faults on a product which you have bought from the manufacturer mentioned below and are limited to either the rectification of said defects on the product or the replacement of the product, whichever we prefer.
Please note that our devices are not designed for use in commercial, trade or professional applications. A guarantee contract will not be created if the device has been used by commercial, trade or industrial business or has been exposed to similar stresses during the guarantee period.
3. The following are not covered by our guarantee:
 - Damage to the device caused by a failure to follow the assembly instructions or due to incorrect installation, a failure to follow the operating instructions (for example connecting it to an incorrect mains voltage or current type) or a failure to follow the maintenance and safety instructions or by exposing the device to abnormal environmental conditions or by lack of care and maintenance.
 - Damage to the device caused by abuse or incorrect use (for example overloading the device or the use of unapproved tools or accessories), ingress of foreign bodies into the device (such as sand, stones or dust, transport damage), the use of force or damage caused by external forces (for example by dropping it).
 - Damage to the device or parts of the device caused by normal or natural wear or tear or by normal use of the device.
4. The guarantee is valid for a period of 24 months starting from the purchase date of the device. Guarantee claims should be submitted before the end of the guarantee period within two weeks of the defect being noticed. No guarantee claims will be accepted after the end of the guarantee period. The original guarantee period remains applicable to the device even if repairs are carried out or parts are replaced. In such cases, the work performed or parts fitted will not result in an extension of the guarantee period, and no new guarantee will become active for the work performed or parts fitted. This also applies if an on-site service is used.
5. To make a claim under the guarantee, please register the defective device at: www.Einhell-Service.com. Please keep your bill of purchase or other proof of purchase for the new device. Devices that are returned without proof of purchase or without a rating plate shall not be covered by the guarantee, because appropriate identification will not be possible. If the defect is covered by our guarantee, then the item in question will either be repaired immediately and returned to you or we will send you a new replacement.

Of course, we are also happy offer a chargeable repair service for any defects which are not covered by the scope of this guarantee or for units which are no longer covered. To take advantage of this service, please send the device to our service address.

Also refer to the restrictions of this warranty concerning wear parts, consumables and missing parts as set out in the service information in these operating instructions.

