

Технически характеристики

JS 1

SELF-PRIMING "JET" PUMPS



Clean water Domestic use



PERFORMANCE RANGE

- Flow rate up to **60 l/min** (3.6 m³/h)
- Head up to **48 m**

APPLICATION LIMITS

- Manometric suction lift up to **9 m** (HS)
- Liquid temperature between **-10 °C** and **+40 °C**
- Ambient temperature up to **+40 °C**
- Max. working pressure **6 bar**
- Continuous service **S1**

CONSTRUCTION AND SAFETY STANDARDS

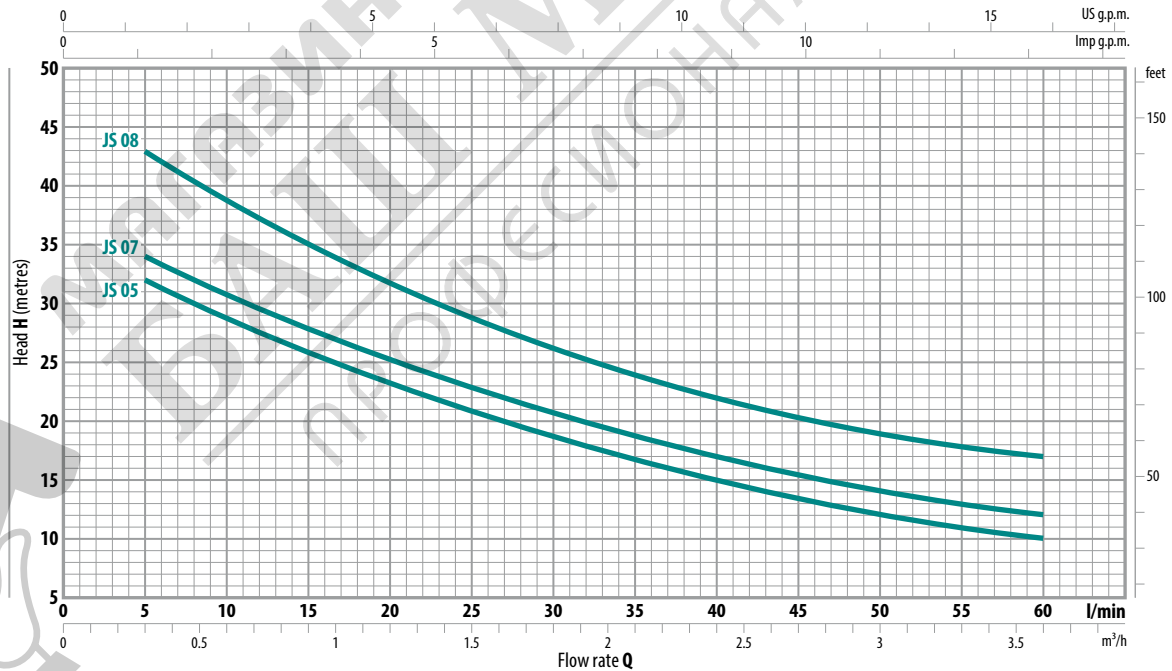
EN 60335-1
IEC 60335-1
CEI 61-150

EN 60034-1
IEC 60034-1
CEI 2-3



CHARACTERISTIC CURVES AND PERFORMANCE DATA

50 Hz | n=2900 min⁻¹ | HS=0 m



MODEL		POWER (P ₂)		Q m ³ /h l/min	Flow rate Q										
Single-phase	Three-phase	kW	HP		0	0.3	0.6	1.2	1.5	1.8	2.4	2.7	3.0	3.6	
				H metres	0	5	10	20	25	30	40	45	50	60	
JS 05M	JS 05	0.37	0.50		35	32	28.5	23.5	21	18.5	15	13.5	12	10	
JS 07M	JS 07	0.48	0.65		37	34	30.5	25.5	23	20.5	17	15.5	14	12	
JS 08M	JS 08	0.55	0.75		48	43	39	31.5	28.5	26	22	20.5	19	17	

Q = Flow rate
H = Total manometric head
HS = Suction height

Tolerance of characteristic curves in compliance with EN ISO 9906 Grade 3B.

INSTALLATION AND USE

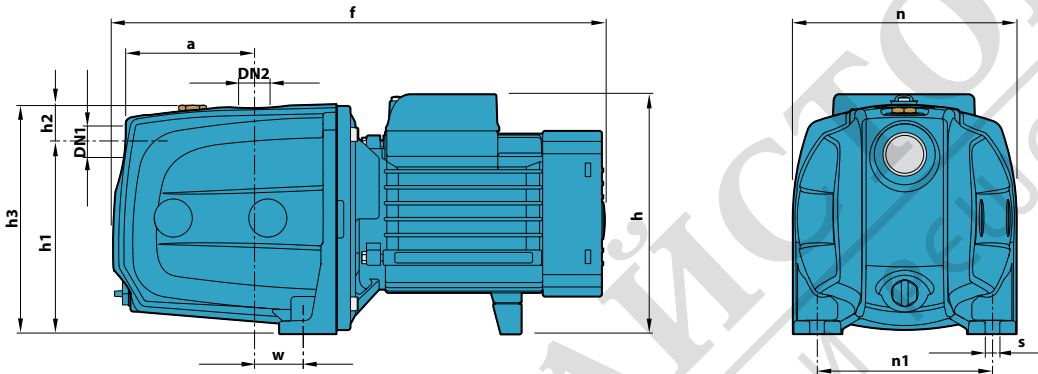
Suitable for use with clean water and with liquids that are not chemically aggressive towards the materials from which the pump is made. The self-priming JS pumps are designed to pump water even in cases where air is present. Because of their reliability and the fact that they are easy to use, they are recommended for use in domestic applications such as the distribution of water in combination with small or medium sized pressure tanks, and for the irrigation of gardens and orchards, etc.

The pump should be installed in an enclosed environment or sheltered from inclement weather.

CONSTRUCTION CHARACTERISTICS

PUMP BODY	Cast iron with an Epoxy Electro Coating treatment, with threaded ports in compliance with ISO 228/1
IMPELLER	Stainless steel AISI 304
MOTOR SHAFT	Stainless steel EN 10088-3 - 1.4104
MECHANICAL SEAL	Ceramic - Graphite - NBR
ELECTRIC MOTOR	The three-phase pumps are fitted with high performance motors in class IE2 (IEC 60034-30)

DIMENSIONS AND WEIGHT



MODEL		PORTS		DIMENSIONS mm										kg	
Single-phase	Three-phase	DN1	DN2	a	f	h	h1	h2	h3	n	n1	w	s	1~	3~
JS 05M	JS 05													9.9	9.9
JS 07M	JS 07	1"	1"	94	352	171	127	33	160	158	124	24	10	10.0	10.0
JS 08M	JS 08													10.6	10.0

ABSORPTION

MODEL	VOLTAGE		
Single-phase	230 V	240 V	110 V
JS 05M	2.8 A	2.7 A	5.6 A
JS 07M	3.1 A	3.0 A	6.0 A
JS 08M	3.9 A	3.8 A	7.3 A

MODEL	VOLTAGE					
Three-phase	230 V	400 V	690 V	240 V	415 V	720 V
JS 05	2.1 A	1.2 A	0.7 A	2.0 A	1.1 A	0.6 A
JS 07	2.3 A	1.3 A	0.8 A	2.2 A	1.2 A	0.7 A
JS 08	3.0 A	1.7 A	1.0 A	2.9 A	1.6 A	0.9 A

PALLETIZATION

MODEL		GROUPAGE	CONTAINER
Single-phase	Three-phase	n. pumps	n. pumps
JS 05M	JS 05	98	140
JS 07M	JS 07	98	140
JS 08M	JS 08	98	140