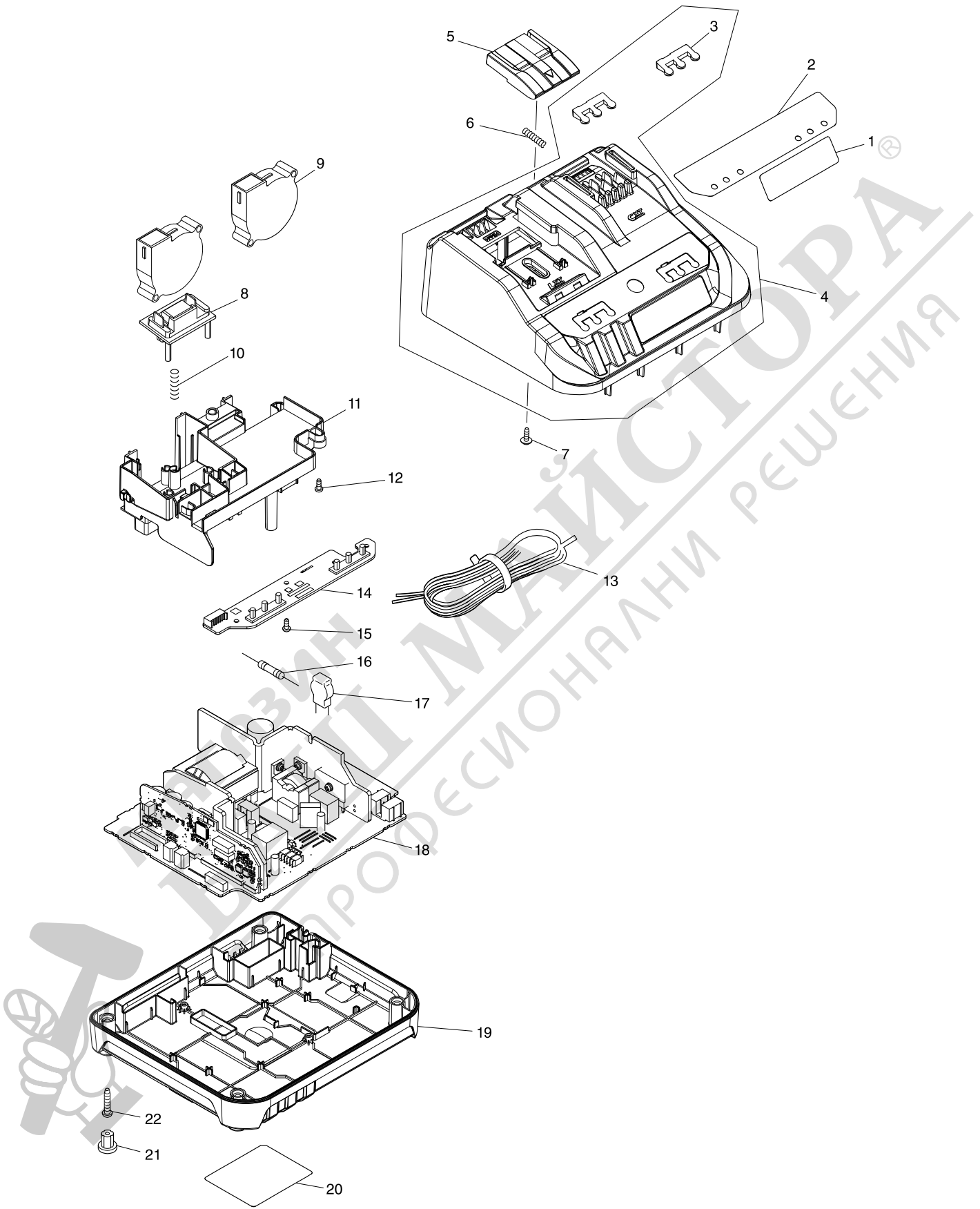


Model No. DC18RE FAST CHARGER SET



Model No. DC18RE FAST CHARGER SET

| Item | Parts No. | Description | I/C | Qty | N/O | Opt. 1 | Opt. 2 | Note |
|------|-----------|-----------------------------|-----|-----|-----|--------|--------|------|
| 001 | 812P95-5 | MAKITA LOGO LABEL | | 1 | | | | |
| 002 | 812P94-7 | CHARGING CONDITION LABEL | | 1 | | | | |
| 003 | 457693-8 | LENS | | 2 | | | | |
| 004 | 144562-9 | CHARGER CASE COMPLETE | | 1 | | | | |
| D10 | | INC. 3 | | | | | | |
| 005 | 457692-0 | TERMINAL COVER | | 1 | | | | |
| 006 | 231474-6 | COMPRESSION SPRING 4 | | 2 | | | | |
| 007 | 266278-7 | TAPPING SCREW FLANGE BT3X10 | | 1 | | | | |
| 008 | 632K43-6 | TERMINAL UNIT | | 1 | | | | |
| 009 | 638499-5 | SCIROCCO FAN | | 2 | | | | |
| 010 | 233194-8 | COMPRESSION SPRING 4 | | 1 | | | | |
| 011 | 457691-2 | TERMINAL BASE | | 1 | | | | |
| 012 | 266764-8 | TAPPING SCREW 3X8 | | 4 | | | | |
| 013 | 667985-9 | VINYL CORD 0.75-2-2.0 | | 1 | | | | |
| 014 | 620692-5 | LED CIRCUIT | | 1 | | | | |
| 015 | 266764-8 | TAPPING SCREW 3X8 | | 3 | | | | |
| 016 | 652802-6 | FUSE | | 1 | | | | |
| 017 | 647306-1 | VARISTOR | | 1 | | | | |
| 018 | 620681-0 | CHARGING CIRCUIT | | 1 | | | | |
| D10 | | INC. 16,17 | | | | | | |
| 019 | 457690-4 | CHARGER CASE COVER | | 1 | | | | |
| 021 | 286255-3 | CAP 13 | | 4 | | | | |
| 022 | 266426-8 | TAPPING SCREW 4X20 | | 4 | | | | |
| | | | | | | | | |
| | | | | | | | | |
| | | | | | | | | |
| | | | | | | | | |
| | | | | | | | | |
| | | | | | | | | |
| | | | | | | | | |
| | | | | | | | | |
| | | | | | | | | |
| | | | | | | | | |
| | | | | | | | | |
| | | | | | | | | |
| | | | | | | | | |
| | | | | | | | | |
| | | | | | | | | |
| | | | | | | | | |
| | | | | | | | | |
| | | | | | | | | |
| | | | | | | | | |
| | | | | | | | | |
| | | | | | | | | |
| | | | | | | | | |
| | | | | | | | | |
| | | | | | | | | |