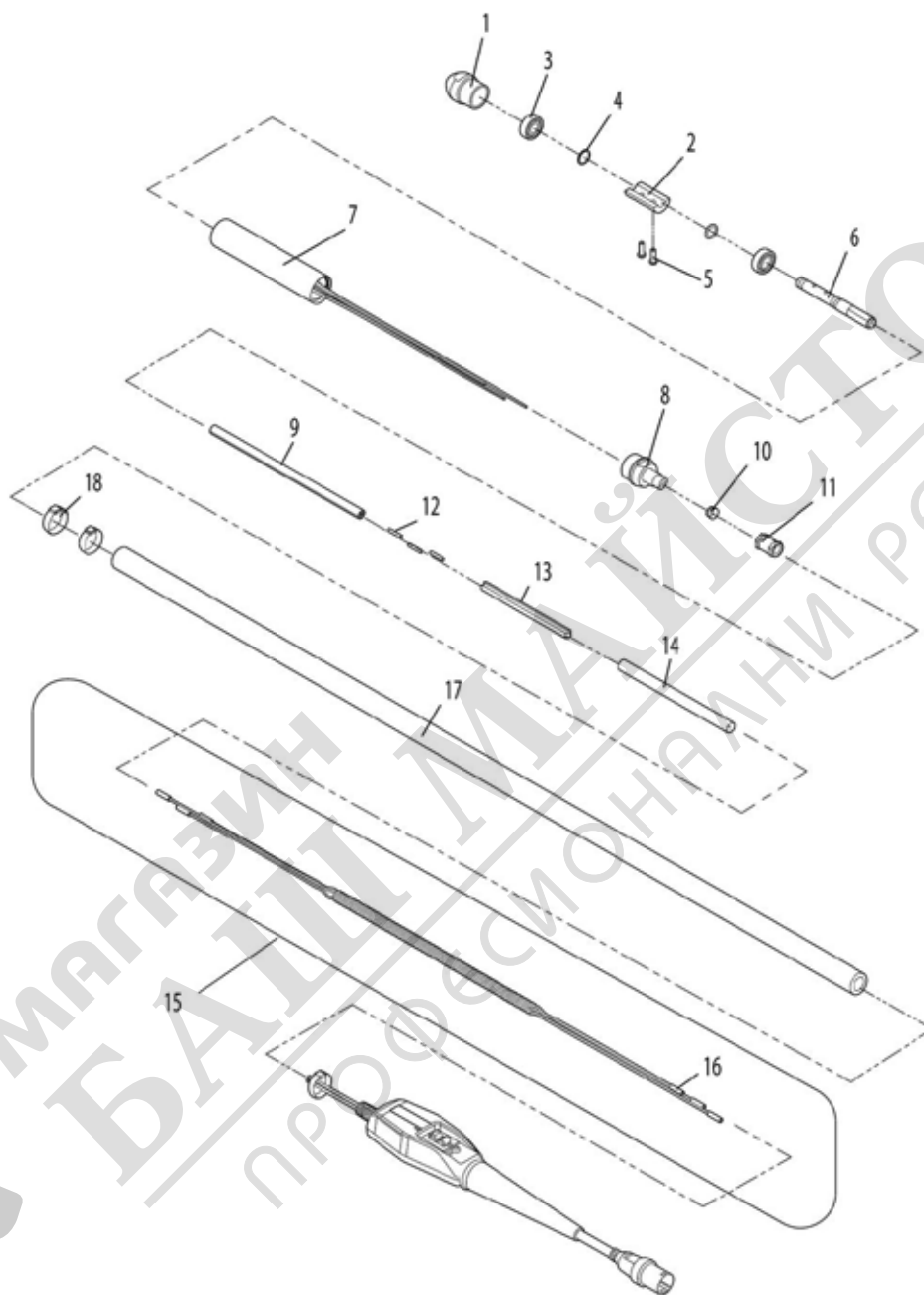


Model No.VR001C CORDLESS CONCRETE VIBRATOR



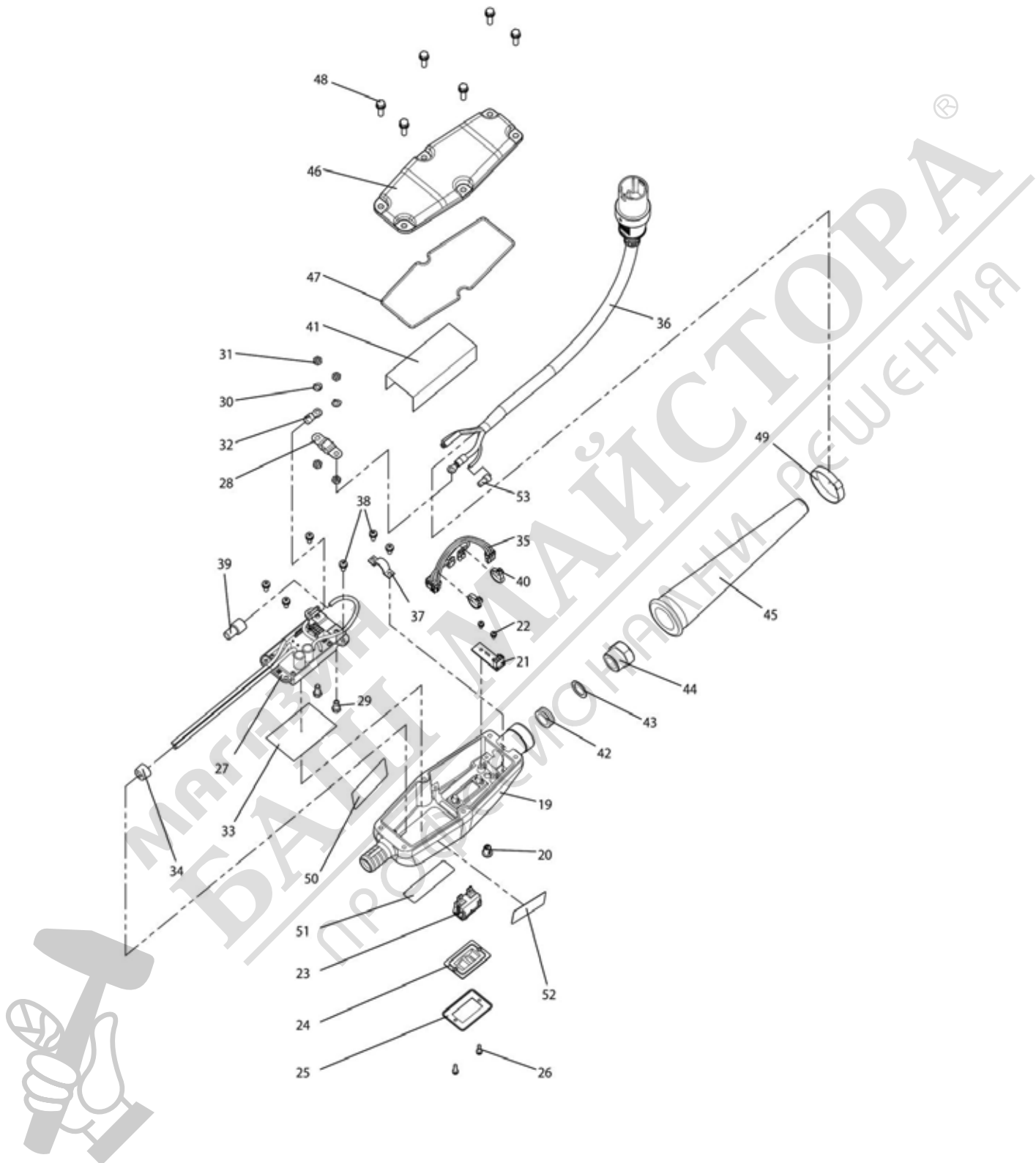
| Nr. | Part nr.   | Name                           |
|-----|------------|--------------------------------|
| 001 | HA00000310 | Afdekkap VR001/2C              |
| 002 | HA00000311 | Balansgewicht VR001C/2C        |
| 003 | HA00000312 | Kogellager 6202JR2 VR001C/2C   |
| 004 | HA00000313 | Sluitring 15,5mm VR001C/2/3/4C |
| 005 | HA00000314 | Inbusbout M6x20mm VR001C/2C    |
| 006 | HA00000315 | Anker VR001C/2C                |
| 007 | HA00000316 | Motor assy VR001C/2C           |
| 008 | HA00000317 | Slangaansluiting VR001C/2C     |
| 009 | HA00000318 | Slang 30x6,5mm VR001C/2/3/4C   |
| 010 | HA00000319 | Sluitr. rub 13mm VR001C/2/3/4C |
| 011 | HA00000320 | Slangadapter VR001C/2/3/4C     |
| 012 | HA00000321 | Krimpkous 1/8x30 VR001C #      |
| 013 | HA00000322 | Kabelgeleider VR001C/2/3/4C    |
| 014 | HA00000323 | Krimpkous 15x220 VR001C/2/3/4C |
| 015 | HA00000324 | Verbindingskabel 1,5mtr VR001C |
| 016 | HA00000325 | Aansluiting krimp VR001C       |
| 017 | HA00000326 | Trilnaald M20x33x15000mm       |
| 018 | HA00000327 | Slangklem M38 VR001C/2/3/4C    |
| 019 | HA00000328 | Ondulaterunit VR001C/2/3/4C    |
| 020 | HA00000329 | Lenskap VR001C/2/3/4C          |
| 021 | HA00000330 | Circuit led VR001C/2/3/4C      |
| 022 | HA00000331 | Met.schr. M3x6mm VR001C/2/4C   |
| 023 | HA00000332 | Schakelaar VR001C/2/3/4C       |
| 024 | HA00000333 | Schakelaarkap VR001C/2/3/4C    |
| 025 | HA00000334 | Schakelplaat VR001C/2/3/4C     |
| 026 | HA00000335 | Met.schr. M3x12mm VR001C/2/3C  |
| 027 | HA00000336 | Circuit VR001C/2/3/4C          |
| 028 | HA00000337 | Zekering VR001C/2/3/4C         |
| 029 | HA00000338 | Tapbout M5x12mm VR001C/2/3/4C  |
| 030 | HA00000079 | Veerring 5mm VR001C/2/3/4C     |
| 031 | HA00000339 | Borgmoer M5 VR001C/2/3/4C      |
| 032 | HA00000340 | Kabelschoen 6mm VR001C #       |
| 033 | HA00000341 | Isolatiesheet B VR001C/2/3/4C  |
| 034 | HA00000342 | Kabeleind VR001C/2/3/4C        |
| 035 | HA00000343 | Harnasbord VR001C/2/3/4C       |
| 036 | HA00000344 | Kabel assy VR001C/2/3/4C       |
| 037 | HA00000346 | Kabelklem VR001C/2/3/4C        |
| 038 | HA00000347 | Met.schr. M4x10mm VR001C/2/4C  |
| 039 | HA00000348 | Klembus CE-8 VR001C/2/3/4C     |
| 040 | HA00000349 | Kabelbinder 200MM VR001C #     |
| 041 | HA00000350 | Isolatiesheet VR001C/2/3/4C    |
| 042 | HA00000351 | Sluitr rub 15mm VR001C/2/3/4C  |
| 043 | HA00000313 | Sluitring 15,5mm VR001C/2/3/4C |
| 044 | HA00000352 | Drukmoer M15,5 VR001C/2/3/4C   |
| 045 | HA00000353 | Kabelgeleider VR001C/2/3/4C    |
| 046 | HA00000354 | Ondulaterkap VR001C/2/3/4C     |

| Nr. | Part nr.   | Name                          |
|-----|------------|-------------------------------|
| 047 | HA00000355 | Pakking VR001C/2/3/4C         |
| 048 | HA00000356 | Tapbout M5x20mm VR001C/2/3/4C |
| 049 | HA00000357 | Knelring VR001C/2/3/4C        |
| 050 | HA00000358 | Label waarsc VR001            |
| 051 | HA00000359 | Label Makita VR001            |
| 052 | HA00000360 | Label serial no. NPE VR001    |
| 053 | HA00000345 | Klembus CE-1 VR001C/2/3/4C    |

МАГАЗИН МАЙСТОРА®  
БАШ МАЙСТОРА®  
ПРОФЕСИОНАЛНИ РЕШЕНИЯ



Model No.VR001C CORDLESS CONCRETE VIBRATOR



| Nr. | Part nr.   | Name                           |
|-----|------------|--------------------------------|
| 001 | HA00000310 | Afdekkap VR001/2C              |
| 002 | HA00000311 | Balansgewicht VR001C/2C        |
| 003 | HA00000312 | Kogellager 6202JR2 VR001C/2C   |
| 004 | HA00000313 | Sluitring 15,5mm VR001C/2/3/4C |
| 005 | HA00000314 | Inbusbout M6x20mm VR001C/2C    |
| 006 | HA00000315 | Anker VR001C/2C                |
| 007 | HA00000316 | Motor assy VR001C/2C           |
| 008 | HA00000317 | Slangaansluiting VR001C/2C     |
| 009 | HA00000318 | Slang 30x6,5mm VR001C/2/3/4C   |
| 010 | HA00000319 | Sluitr. rub 13mm VR001C/2/3/4C |
| 011 | HA00000320 | Slangadapter VR001C/2/3/4C     |
| 012 | HA00000321 | Krimpkous 1/8x30 VR001C #      |
| 013 | HA00000322 | Kabelgeleider VR001C/2/3/4C    |
| 014 | HA00000323 | Krimpkous 15x220 VR001C/2/3/4C |
| 015 | HA00000324 | Verbindingskabel 1,5mtr VR001C |
| 016 | HA00000325 | Aansluiting krimp VR001C       |
| 017 | HA00000326 | Trilnaald M20x33x15000mm       |
| 018 | HA00000327 | Slangklem M38 VR001C/2/3/4C    |
| 019 | HA00000328 | Ondulaterunit VR001C/2/3/4C    |
| 020 | HA00000329 | Lenskap VR001C/2/3/4C          |
| 021 | HA00000330 | Circuit led VR001C/2/3/4C      |
| 022 | HA00000331 | Met.schr. M3x6mm VR001C/2/4C   |
| 023 | HA00000332 | Schakelaar VR001C/2/3/4C       |
| 024 | HA00000333 | Schakelaarkap VR001C/2/3/4C    |
| 025 | HA00000334 | Schakelplaat VR001C/2/3/4C     |
| 026 | HA00000335 | Met.schr. M3x12mm VR001C/2/3C  |
| 027 | HA00000336 | Circuit VR001C/2/3/4C          |
| 028 | HA00000337 | Zekering VR001C/2/3/4C         |
| 029 | HA00000338 | Tapbout M5x12mm VR001C/2/3/4C  |
| 030 | HA00000079 | Veerring 5mm VR001C/2/3/4C     |
| 031 | HA00000339 | Borgmoer M5 VR001C/2/3/4C      |
| 032 | HA00000340 | Kabelschoen 6mm VR001C #       |
| 033 | HA00000341 | Isolatiesheet B VR001C/2/3/4C  |
| 034 | HA00000342 | Kabeleind VR001C/2/3/4C        |
| 035 | HA00000343 | Harnasbord VR001C/2/3/4C       |
| 036 | HA00000344 | Kabel assy VR001C/2/3/4C       |
| 037 | HA00000346 | Kabelklem VR001C/2/3/4C        |
| 038 | HA00000347 | Met.schr. M4x10mm VR001C/2/4C  |
| 039 | HA00000348 | Klembus CE-8 VR001C/2/3/4C     |
| 040 | HA00000349 | Kabelbinder 200MM VR001C #     |
| 041 | HA00000350 | Isolatiesheet VR001C/2/3/4C    |
| 042 | HA00000351 | Sluitr rub 15mm VR001C/2/3/4C  |
| 043 | HA00000313 | Sluitring 15,5mm VR001C/2/3/4C |
| 044 | HA00000352 | Drukmoer M15,5 VR001C/2/3/4C   |
| 045 | HA00000353 | Kabelgeleider VR001C/2/3/4C    |
| 046 | HA00000354 | Ondulaterkap VR001C/2/3/4C     |

| Nr. | Part nr.   | Name                          |
|-----|------------|-------------------------------|
| 047 | HA00000355 | Pakking VR001C/2/3/4C         |
| 048 | HA00000356 | Tapbout M5x20mm VR001C/2/3/4C |
| 049 | HA00000357 | Knelring VR001C/2/3/4C        |
| 050 | HA00000358 | Label waarsc VR001            |
| 051 | HA00000359 | Label Makita VR001            |
| 052 | HA00000360 | Label serial no. NPE VR001    |
| 053 | HA00000345 | Klembus CE-1 VR001C/2/3/4C    |

МАГАЗИН МАЙСТОРА®  
БАШ ПРОФЕСИОНАЛНИ РЕШЕНИЯ

