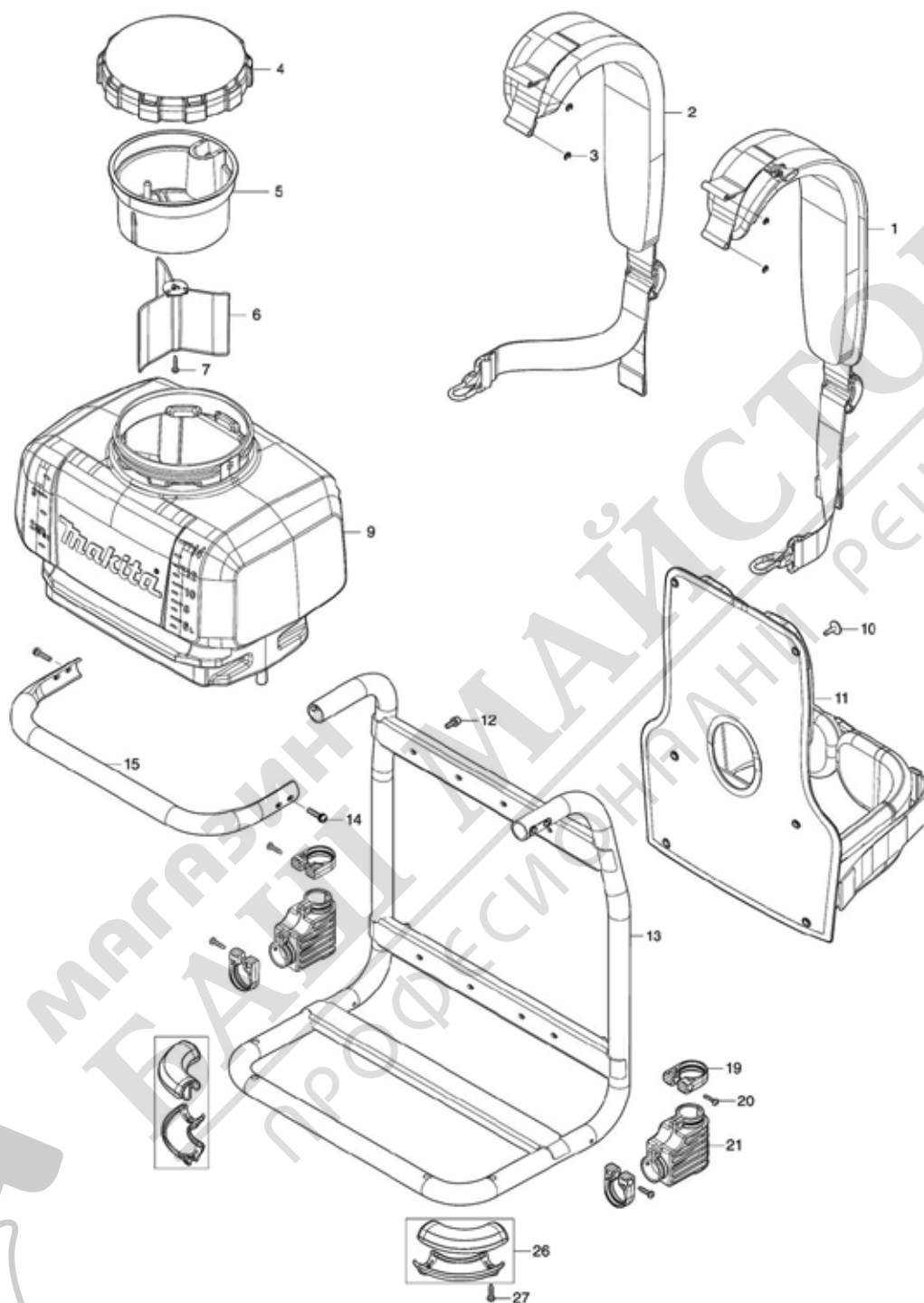


Model No.PM001G CORDLESS BACKPACK MIST BLOWER

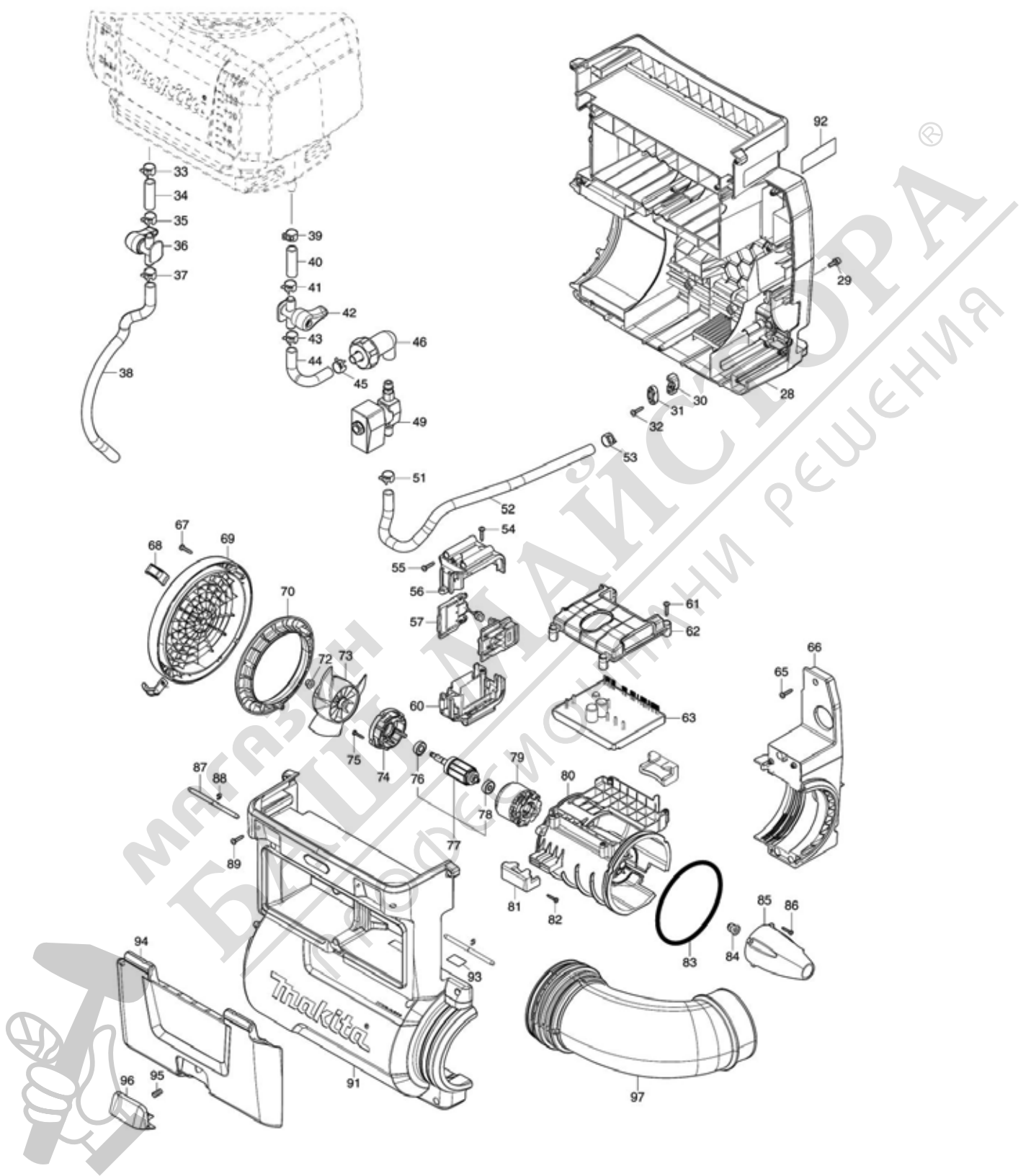


Nr.	Part nr.	Name
001	162C47-1	Band R PM001G
002	162C46-3	Band L PM001G
003	961011-9	Stopring E-4
004	141764-8	Tank cpl PM001G
005	413M64-7	Tankzeef PM001G
006	413M65-5	Vin PM001G
007	266326-2	Tap Schroef 4X18mm P
009	136980-5	Tank assy PM001G
009C10	422978-1	Klepcontroller PM001G
009C20	256A28-4	Stang 5 UB002C
010	252274-1	Tapschroef 4x18mm PDC1200
011	162B58-0	Stootkussen UB002C
012	922218-2	Inbusbout Ck M5X14Mm DCU180 P
013	327A95-7	Buizenframe A PM001G
014	265A08-9	Schroef M5x20mm PM001G
015	327A96-5	Buizenframe B PM001G
019	413K11-6	Rubber klem UB002C
020	266326-2	Tap Schroef 4X18mm P
021	422977-3	Voet rubber PM001G
026	183X85-6	Behuizingset PM001G
027	266326-2	Tap Schroef 4X18mm P
028	141M69-4	Onderhuis cpl B PM001G
028C10	8066X9-2	Waarschuwinglabel PM001G
029	922218-2	Inbusbout Ck M5X14Mm DCU180 P
030	687051-6	Klemstrip *
031	687124-5	Klemstrip 9555Nb/Bo3711 A
032	266326-2	Tap Schroef 4X18mm P
033	282023-2	Slangklem 14Mm Sp7650.4R
034	422981-2	Slang 10x45mm PM001G
035	282023-2	Slangklem 14Mm Sp7650.4R
036	122D52-6	Kraan assy A PM001G
036C10	266326-2	Tap Schroef 4X18mm P
036C20	457675-0	Kraanhendel PM7651H
037	282023-2	Slangklem 14Mm Sp7650.4R
038	422982-0	Slang 10x370mm PM001G
039	282023-2	Slangklem 14Mm Sp7650.4R
040	422981-2	Slang 10x45mm PM001G
041	282023-2	Slangklem 14Mm Sp7650.4R
042	122D52-6	Kraan assy A PM001G
042C10	266326-2	Tap Schroef 4X18mm P
042C20	457675-0	Kraanhendel PM7651H
043	282023-2	Slangklem 14Mm Sp7650.4R
044	422980-4	Slang 10x100mm PM001G
045	282023-2	Slangklem 14Mm Sp7650.4R
046	122E16-6	Kniestuk PM001G
046C10	413M62-1	Filter PM001G

Nr.	Part nr.	Name
049	136985-5	Klep PM001G
049C10	213063-9	O-Ring 10 (1,7Mm)
051	282023-2	Slangklem 14Mm Sp7650.4R
052	422983-8	Slang 10X500Mm PM001G
053	282023-2	Slangklem 14Mm Sp7650.4R
054	266326-2	Tap Schroef 4X18mm P
055	266326-2	Tap Schroef 4X18mm P
056	183Y74-7	Batterijhuiset PM001G
056C10	263005-3	Rubber Pen 6 AC320H P
057	632P65-6	Controleunit GA-40V serie
060	183Y74-7	Batterijhuiset PM001G
060C10	263005-3	Rubber Pen 6 AC320H P
061	266326-2	Tap Schroef 4X18mm P
062	413M52-4	Controllerhuis PM001G
063	620K75-5	Controller PM001G
065	266326-2	Tap Schroef 4X18mm P
066	413M43-5	Kniehouder PM001G
067	266326-2	Tap Schroef 4X18mm P
068	413M58-2	Klem PM001G
069	413G61-7	Achterkap UB002C
070	413G72-2	Waaiergeleider UB002C
072	252286-4	Moer M5X8mm DUB184
073	240177-1	Waaier 110Mm Dub362 A
074	413G67-5	Motorhuiskap UB002C
075	266130-9	Tapschroef 3X16 A
076	210040-2	Kogellager 698LLu
077	519639-3	Anker UB001C
078	210022-4	KOGELLAGER 626DDW
079	629C09-7	Veld PM001G
095	231240-1	Drukveer 7
095	413M44-3	Motorhuis PM001G
096	413M55-8	Vastzethendel PM001G
096	422877-7	Stoetkussen UB002C
097	266130-9	Tapschroef 3X16 A
097	413M51-6	Bocht PM001G
099	183X87-2	Gashendel Assy PM001G
099	424721-4	Pakkingring 115Mm Dub362
099C10	252103-8	Zeskant Borgmoer M5X8 A
099C10	422879-3	Doorvoer UB002C
104	265C61-7	Vleugelbout M5x35mm UB002C
104	413G64-1	Afdekkap UB002C
105	266130-9	Tapschroef 3X16 A
105	620L36-1	Circuit cpl PM001G
106	256938-9	As 5mm PM001G
106	620L35-3	Schakelcircuit PM001G
106C10	136982-1	Schakelplaat PM001G

Nr.	Part nr.	Name
106C10	961011-9	Stopring E-4
106C20	266326-2	Tap Schroef 4X18mm P
106C20	266490-9	Parker Ck 2X6Mm DDF483 P
107	136912-2	Bovenhuis PM001G
107	651492-2	Schakelaar UR002/3G
108	413G68-3	Schakelhendel UB002C
108	8030S0-0	Label XGT UB001G
109	687260-7	Klemstrip 4350T
109	8587F3-0	Naamplaat PM001G
110	266326-2	Tap Schroef 4X18mm P
110	8587G1-1	Label serienr. PM001G
111	183X87-2	Gashendel Assy PM001G
111	413M54-0	Voorhuis blk DCL283F, DCL284F
111C10	252103-8	Zeskant Borgmoer M5X8 A
112	266326-2	Tap Schroef 4X18mm P
113	699220-7	Kabelset PM001G
114	162B56-4	Schakelpijp UB002C
115	281040-9	Slangklem 110mm PM001G
116	413M50-8	Flexibelepijp 100 PM001G
117	122F35-8	Slangklem 110mm PM001G
118	266007-8	Tapschroef Pt3X10 A
119	453505-3	Afdekkap Sp7650
120	213686-3	O-Ring 12Mm Sp7650
121	268288-0	Pin 5.5Mm Sp7650
122	234244-2	Drukveer 3Mm Sp7650
123	282023-2	Slangklem 14Mm Sp7650.4R
124	422984-6	Slang 10X750Mm PM001G
125	282023-2	Slangklem 14Mm Sp7650.4R
126	122D53-4	Kraan assy B PM001G
126C10	266326-2	Tap Schroef 4X18mm P
126C20	457675-0	Kraanhendel PM7651H
127	413M66-3	Adapter
128	266045-0	Tapschroef Pt4X20 A
129	213437-4	O-Ring 28
130	413M59-0	Bus 23mm PM001G
131	327A93-1	Spuitmond 4,5mm
132	213647-3	O-Ring 9Mm Sp7650*
133	141M72-5	Spuitmond adapter
133C10	898280-8	Label indicatie PM001G
134	911228-4	Schroef 5X20
135	281040-9	Slangklem 110mm PM001G
136	632L49-0	Schakelaar DUC254Z
137	233101-1	Drukveer 4
138	413M49-3	Schakelknop PM001G
139	162B60-3	Klemring B UB002C

Model No.PM001G CORDLESS BACKPACK MIST BLOWER

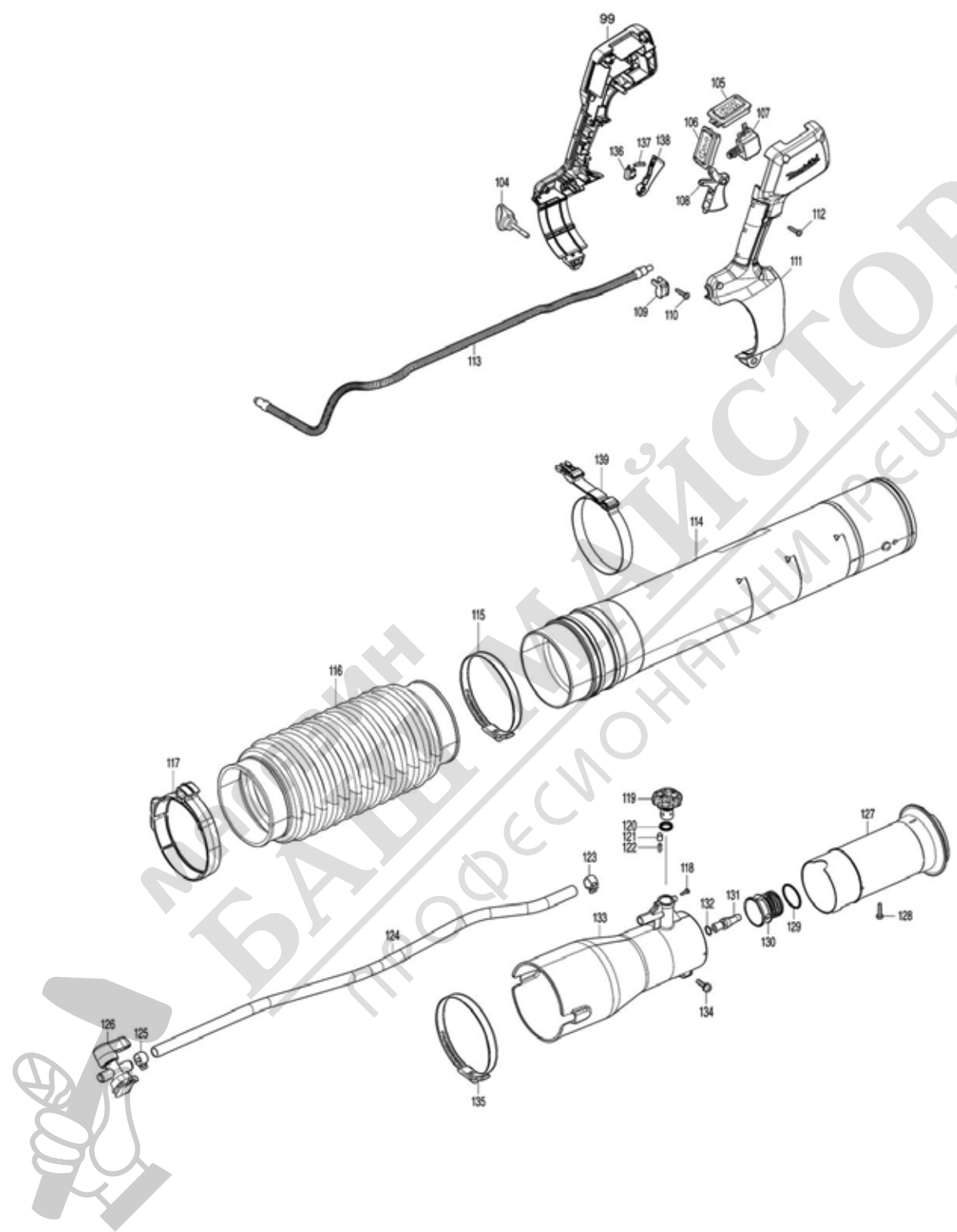


Nr.	Part nr.	Name
001	162C47-1	Band R PM001G
002	162C46-3	Band L PM001G
003	961011-9	Stopring E-4
004	141764-8	Tank cpl PM001G
005	413M64-7	Tankzeef PM001G
006	413M65-5	Vin PM001G
007	266326-2	Tap Schroef 4X18mm P
009	136980-5	Tank assy PM001G
009C10	422978-1	Klepcontroller PM001G
009C20	256A28-4	Stang 5 UB002C
010	252274-1	Tapschroef 4x18mm PDC1200
011	162B58-0	Stootkussen UB002C
012	922218-2	Inbusbout Ck M5X14Mm DCU180 P
013	327A95-7	Buizenframe A PM001G
014	265A08-9	Schroef M5x20mm PM001G
015	327A96-5	Buizenframe B PM001G
019	413K11-6	Rubber klem UB002C
020	266326-2	Tap Schroef 4X18mm P
021	422977-3	Voet rubber PM001G
026	183X85-6	Behuizingset PM001G
027	266326-2	Tap Schroef 4X18mm P
028	141M69-4	Onderhuis cpl B PM001G
028C10	8066X9-2	Waarschuwinglabel PM001G
029	922218-2	Inbusbout Ck M5X14Mm DCU180 P
030	687051-6	Klemstrip *
031	687124-5	Klemstrip 9555Nb/Bo3711 A
032	266326-2	Tap Schroef 4X18mm P
033	282023-2	Slangklem 14Mm Sp7650.4R
034	422981-2	Slang 10x45mm PM001G
035	282023-2	Slangklem 14Mm Sp7650.4R
036	122D52-6	Kraan assy A PM001G
036C10	266326-2	Tap Schroef 4X18mm P
036C20	457675-0	Kraanhendel PM7651H
037	282023-2	Slangklem 14Mm Sp7650.4R
038	422982-0	Slang 10x370mm PM001G
039	282023-2	Slangklem 14Mm Sp7650.4R
040	422981-2	Slang 10x45mm PM001G
041	282023-2	Slangklem 14Mm Sp7650.4R
042	122D52-6	Kraan assy A PM001G
042C10	266326-2	Tap Schroef 4X18mm P
042C20	457675-0	Kraanhendel PM7651H
043	282023-2	Slangklem 14Mm Sp7650.4R
044	422980-4	Slang 10x100mm PM001G
045	282023-2	Slangklem 14Mm Sp7650.4R
046	122E16-6	Kniestuk PM001G
046C10	413M62-1	Filter PM001G

Nr.	Part nr.	Name
049	136985-5	Klep PM001G
049C10	213063-9	O-Ring 10 (1,7Mm)
051	282023-2	Slangklem 14Mm Sp7650.4R
052	422983-8	Slang 10X500Mm PM001G
053	282023-2	Slangklem 14Mm Sp7650.4R
054	266326-2	Tap Schroef 4X18mm P
055	266326-2	Tap Schroef 4X18mm P
056	183Y74-7	Batterijhuiset PM001G
056C10	263005-3	Rubber Pen 6 AC320H P
057	632P65-6	Controleunit GA-40V serie
060	183Y74-7	Batterijhuiset PM001G
060C10	263005-3	Rubber Pen 6 AC320H P
061	266326-2	Tap Schroef 4X18mm P
062	413M52-4	Controllerhuis PM001G
063	620K75-5	Controller PM001G
065	266326-2	Tap Schroef 4X18mm P
066	413M43-5	Kniehouder PM001G
067	266326-2	Tap Schroef 4X18mm P
068	413M58-2	Klem PM001G
069	413G61-7	Achterkap UB002C
070	413G72-2	Waaiergeleider UB002C
072	252286-4	Moer M5X8mm DUB184
073	240177-1	Waaier 110Mm Dub362 A
074	413G67-5	Motorhuiskap UB002C
075	266130-9	Tapschroef 3X16 A
076	210040-2	Kogellager 698LLu
077	519639-3	Anker UB001C
078	210022-4	KOGELLAGER 626DDW
079	629C09-7	Veld PM001G
095	231240-1	Drukveer 7
095	413M44-3	Motorhuis PM001G
096	413M55-8	Vastzethendel PM001G
096	422877-7	Stootkussen UB002C
097	266130-9	Tapschroef 3X16 A
097	413M51-6	Bocht PM001G
099	183X87-2	Gashendel Assy PM001G
099	424721-4	Pakkingring 115Mm Dub362
099C10	252103-8	Zeskant Borgmoer M5X8 A
099C10	422879-3	Doorvoer UB002C
104	265C61-7	Vleugelbout M5x35mm UB002C
104	413G64-1	Afdekkap UB002C
105	266130-9	Tapschroef 3X16 A
105	620L36-1	Circuit cpl PM001G
106	256938-9	As 5mm PM001G
106	620L35-3	Schakelcircuit PM001G
106C10	136982-1	Schakelplaat PM001G

Nr.	Part nr.	Name
106C10	961011-9	Stopring E-4
106C20	266326-2	Tap Schroef 4X18mm P
106C20	266490-9	Parker Ck 2X6Mm DDF483 P
107	136912-2	Bovenhuis PM001G
107	651492-2	Schakelaar UR002/3G
108	413G68-3	Schakelhendel UB002C
108	8030S0-0	Label XGT UB001G
109	687260-7	Klemstrip 4350T
109	8587F3-0	Naamplaat PM001G
110	266326-2	Tap Schroef 4X18mm P
110	8587G1-1	Label serienr. PM001G
111	183X87-2	Gashendel Assy PM001G
111	413M54-0	Voorhuis blk DCL283F, DCL284F
111C10	252103-8	Zeskant Borgmoer M5X8 A
112	266326-2	Tap Schroef 4X18mm P
113	699220-7	Kabelset PM001G
114	162B56-4	Schakelpijp UB002C
115	281040-9	Slangklem 110mm PM001G
116	413M50-8	Flexibelepijp 100 PM001G
117	122F35-8	Slangklem 110mm PM001G
118	266007-8	Tapschroef Pt3X10 A
119	453505-3	Afdekkap Sp7650
120	213686-3	O-Ring 12Mm Sp7650
121	268288-0	Pin 5.5Mm Sp7650
122	234244-2	Drukveer 3Mm Sp7650
123	282023-2	Slangklem 14Mm Sp7650.4R
124	422984-6	Slang 10X750Mm PM001G
125	282023-2	Slangklem 14Mm Sp7650.4R
126	122D53-4	Kraan assy B PM001G
126C10	266326-2	Tap Schroef 4X18mm P
126C20	457675-0	Kraanhendel PM7651H
127	413M66-3	Adapter
128	266045-0	Tapschroef Pt4X20 A
129	213437-4	O-Ring 28
130	413M59-0	Bus 23mm PM001G
131	327A93-1	Spuitmond 4,5mm
132	213647-3	O-Ring 9Mm Sp7650*
133	141M72-5	Spuitmond adapter
133C10	898280-8	Label indicatie PM001G
134	911228-4	Schroef 5X20
135	281040-9	Slangklem 110mm PM001G
136	632L49-0	Schakelaar DUC254Z
137	233101-1	Drukveer 4
138	413M49-3	Schakelknop PM001G
139	162B60-3	Klemring B UB002C

Model No.PM001G CORDLESS BACKPACK MIST BLOWER



Nr.	Part nr.	Name
001	162C47-1	Band R PM001G
002	162C46-3	Band L PM001G
003	961011-9	Stopring E-4
004	141764-8	Tank cpl PM001G
005	413M64-7	Tankzeef PM001G
006	413M65-5	Vin PM001G
007	266326-2	Tap Schroef 4X18mm P
009	136980-5	Tank assy PM001G
009C10	422978-1	Klepcontroller PM001G
009C20	256A28-4	Stang 5 UB002C
010	252274-1	Tapschroef 4x18mm PDC1200
011	162B58-0	Stoorkussen UB002C
012	922218-2	Inbusbout Ck M5X14Mm DCU180 P
013	327A95-7	Buizenframe A PM001G
014	265A08-9	Schroef M5x20mm PM001G
015	327A96-5	Buizenframe B PM001G
019	413K11-6	Rubber klem UB002C
020	266326-2	Tap Schroef 4X18mm P
021	422977-3	Voet rubber PM001G
026	183X85-6	Behuizingset PM001G
027	266326-2	Tap Schroef 4X18mm P
028	141M69-4	Onderhuis cpl B PM001G
028C10	8066X9-2	Waarschuwinglabel PM001G
029	922218-2	Inbusbout Ck M5X14Mm DCU180 P
030	687051-6	Klemstrip *
031	687124-5	Klemstrip 9555Nb/Bo3711 A
032	266326-2	Tap Schroef 4X18mm P
033	282023-2	Slangklem 14Mm Sp7650.4R
034	422981-2	Slang 10x45mm PM001G
035	282023-2	Slangklem 14Mm Sp7650.4R
036	122D52-6	Kraan assy A PM001G
036C10	266326-2	Tap Schroef 4X18mm P
036C20	457675-0	Kraanhendel PM7651H
037	282023-2	Slangklem 14Mm Sp7650.4R
038	422982-0	Slang 10x370mm PM001G
039	282023-2	Slangklem 14Mm Sp7650.4R
040	422981-2	Slang 10x45mm PM001G
041	282023-2	Slangklem 14Mm Sp7650.4R
042	122D52-6	Kraan assy A PM001G
042C10	266326-2	Tap Schroef 4X18mm P
042C20	457675-0	Kraanhendel PM7651H
043	282023-2	Slangklem 14Mm Sp7650.4R
044	422980-4	Slang 10x100mm PM001G
045	282023-2	Slangklem 14Mm Sp7650.4R
046	122E16-6	Kniestuk PM001G
046C10	413M62-1	Filter PM001G

Nr.	Part nr.	Name
049	136985-5	Klep PM001G
049C10	213063-9	O-Ring 10 (1,7Mm)
051	282023-2	Slangklem 14Mm Sp7650.4R
052	422983-8	Slang 10X500Mm PM001G
053	282023-2	Slangklem 14Mm Sp7650.4R
054	266326-2	Tap Schroef 4X18mm P
055	266326-2	Tap Schroef 4X18mm P
056	183Y74-7	Batterijhuiset PM001G
056C10	263005-3	Rubber Pen 6 AC320H P
057	632P65-6	Controleunit GA-40V serie
060	183Y74-7	Batterijhuiset PM001G
060C10	263005-3	Rubber Pen 6 AC320H P
061	266326-2	Tap Schroef 4X18mm P
062	413M52-4	Controllerhuis PM001G
063	620K75-5	Controller PM001G
065	266326-2	Tap Schroef 4X18mm P
066	413M43-5	Kniehouder PM001G
067	266326-2	Tap Schroef 4X18mm P
068	413M58-2	Klem PM001G
069	413G61-7	Achterkap UB002C
070	413G72-2	Waaiergeleider UB002C
072	252286-4	Moer M5X8mm DUB184
073	240177-1	Waaier 110Mm Dub362 A
074	413G67-5	Motorhuiskap UB002C
075	266130-9	Tapschroef 3X16 A
076	210040-2	Kogellager 698LLu
077	519639-3	Anker UB001C
078	210022-4	KOGELLAGER 626DDW
079	629C09-7	Veld PM001G
095	231240-1	Drukveer 7
095	413M44-3	Motorhuis PM001G
096	413M55-8	Vastzethendel PM001G
096	422877-7	Stootkussen UB002C
097	266130-9	Tapschroef 3X16 A
097	413M51-6	Bocht PM001G
099	183X87-2	Gashendel Assy PM001G
099	424721-4	Pakkingring 115Mm Dub362
099C10	252103-8	Zeskant Borgmoer M5X8 A
099C10	422879-3	Doorvoer UB002C
104	265C61-7	Vleugelbout M5x35mm UB002C
104	413G64-1	Afdekkap UB002C
105	266130-9	Tapschroef 3X16 A
105	620L36-1	Circuit cpl PM001G
106	256938-9	As 5mm PM001G
106	620L35-3	Schakelcircuit PM001G
106C10	136982-1	Schakelplaat PM001G

Nr.	Part nr.	Name
106C10	961011-9	Stopring E-4
106C20	266326-2	Tap Schroef 4X18mm P
106C20	266490-9	Parker Ck 2X6Mm DDF483 P
107	136912-2	Bovenhuis PM001G
107	651492-2	Schakelaar UR002/3G
108	413G68-3	Schakelhendel UB002C
108	8030S0-0	Label XGT UB001G
109	687260-7	Klemstrip 4350T
109	8587F3-0	Naamplaat PM001G
110	266326-2	Tap Schroef 4X18mm P
110	8587G1-1	Label serienr. PM001G
111	183X87-2	Gashendel Assy PM001G
111	413M54-0	Voorhuis blk DCL283F, DCL284F
111C10	252103-8	Zeskant Borgmoer M5X8 A
112	266326-2	Tap Schroef 4X18mm P
113	699220-7	Kabelset PM001G
114	162B56-4	Schakelpijp UB002C
115	281040-9	Slangklem 110mm PM001G
116	413M50-8	Flexibelepijp 100 PM001G
117	122F35-8	Slangklem 110mm PM001G
118	266007-8	Tapschroef Pt3X10 A
119	453505-3	Afdekkap Sp7650
120	213686-3	O-Ring 12Mm Sp7650
121	268288-0	Pin 5.5Mm Sp7650
122	234244-2	Drukveer 3Mm Sp7650
123	282023-2	Slangklem 14Mm Sp7650.4R
124	422984-6	Slang 10X750Mm PM001G
125	282023-2	Slangklem 14Mm Sp7650.4R
126	122D53-4	Kraan assy B PM001G
126C10	266326-2	Tap Schroef 4X18mm P
126C20	457675-0	Kraanhendel PM7651H
127	413M66-3	Adapter
128	266045-0	Tapschroef Pt4X20 A
129	213437-4	O-Ring 28
130	413M59-0	Bus 23mm PM001G
131	327A93-1	Spuitmond 4,5mm
132	213647-3	O-Ring 9Mm Sp7650*
133	141M72-5	Spuitmond adapter
133C10	898280-8	Label indicatie PM001G
134	911228-4	Schroef 5X20
135	281040-9	Slangklem 110mm PM001G
136	632L49-0	Schakelaar DUC254Z
137	233101-1	Drukveer 4
138	413M49-3	Schakelknop PM001G
139	162B60-3	Klemring B UB002C