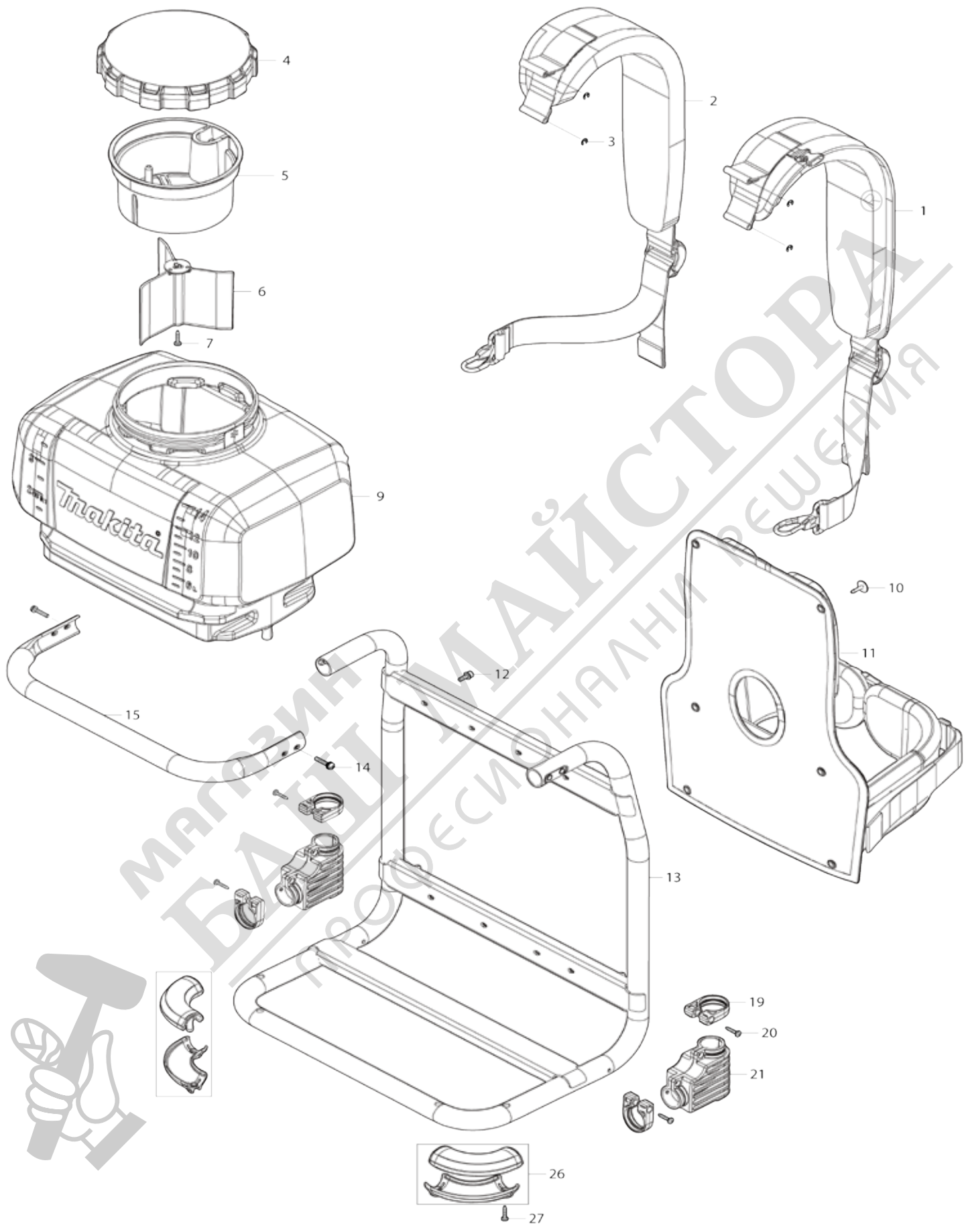
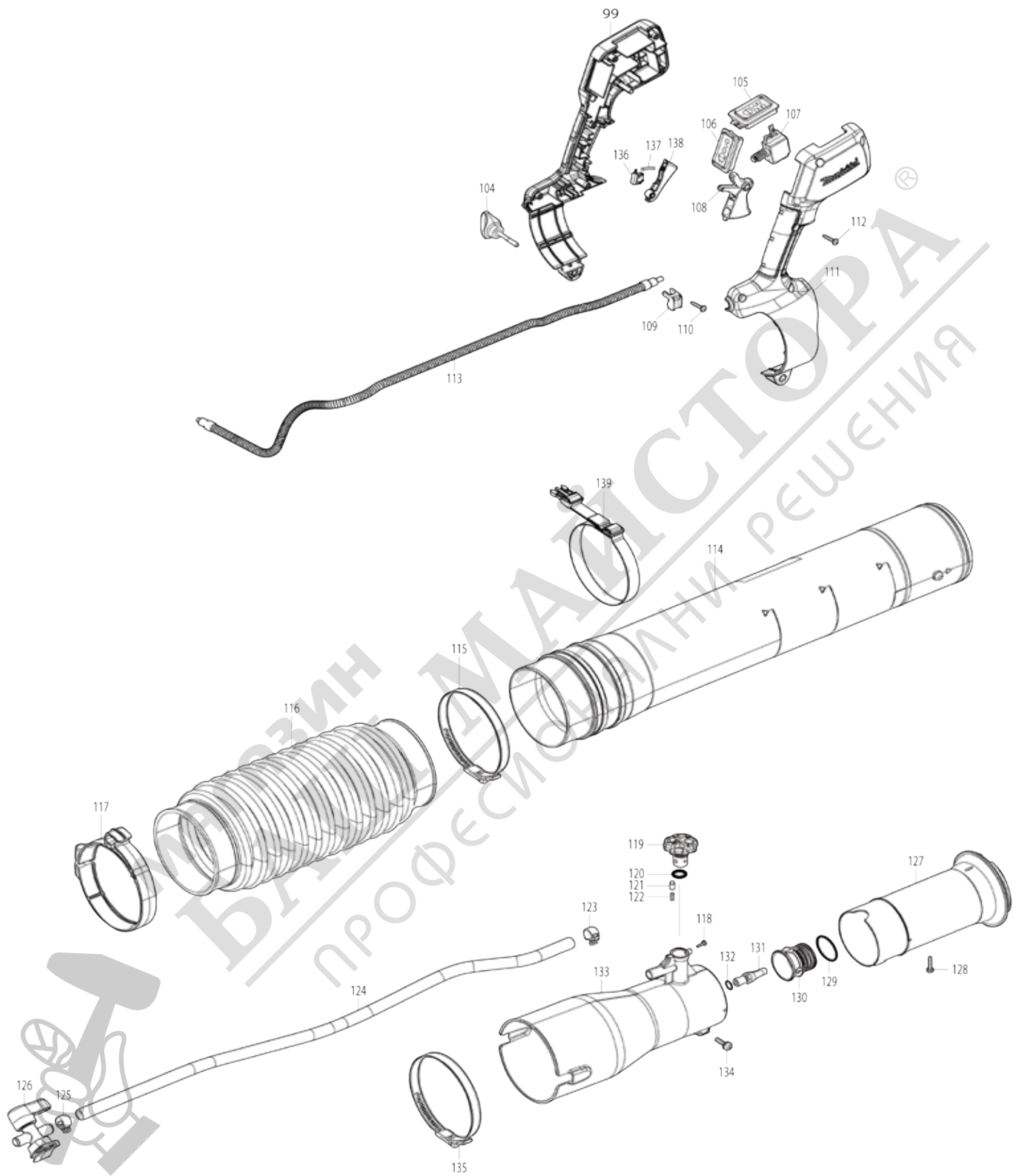


Model No.PM001G CORDLESS BACKPACK MIST BLOWER



Model No. PM001G CORDLESS BACKPACK MIST BLOWER



Model No.PM001G CORDLESS BACKPACK MIST BLOWER

Item No.	Parts No.	Description	Interchangability	Q'ty	New/Old	Note1	Note2
001	162C47-1	BAND R		1	*		
001-1	162D40-1	Band R	<	1			
002	162C46-3	BAND L		1	*		
002-1	162D41-9	Band L	<	1			
003	961011-9	STOP RING E-4		4			
004	141764-8	TANK CAP COMPLETE		1			
005	413M64-7	TANK STRAINER		1			
006	413M65-5	STRAINER FIN		1			
007	266326-2	TAPPING SCREW 4X18		1			
009	136980-5	TANK ASS'Y		1			
C10	422978-1	UMBRELLA CHECK VALVE		1			
C20	256A28-4	ROD 5		4			
010	252274-1	TAPPING SCREW 4X18 WITH W		6			
011	162B58-0	CUSHION COMPLETE		1	*		
011-1	162D10-0	CUSHION COMPLETE	O	1			
012	922218-2	H.S.H.BOLT M5X14 WITH WR		8			
013	327A95-7	PIPE FRAME A		1			
014	265A08-9	PAN HEAD SCREW M5X20		4	*		
014-1	266963-2	PAN HEAD SCREW M5X20 WITH WR	O	4			
015	327A96-5	PIPE FRAME B		1			
019	413K11-6	RUBBER CLAMP		4			
020	266326-2	TAPPING SCREW 4X18		4			
021	422977-3	FOOT HOUSING RUBBER		2			
026	183X85-6	FOOT HOUSING SET		2			
027	266326-2	TAPPING SCREW 4X18		4			
028	141M69-4	LOWER HOUSING COMPLETE B		1			
C10	8066X9-2	CAUTION LABEL		1			
029	922218-2	H.S.H.BOLT M5X14 WITH WR		2			
030	687051-6	STRAIN RELIEF		1			
031	687124-5	STRAIN RELIEF		1			
032	266326-2	TAPPING SCREW 4X18		2			
033	282023-2	HOSE CLAMP 14		1			
034	422981-2	TUBE 10-45		1	*		
034-1	422C13-3	Tube 10-45	<	1			
035	282023-2	HOSE CLAMP 14		1			
036	122D52-6	COCK ASSEMBLY A		1			
C10	266326-2	TAPPING SCREW 4X18		1			
C20	457675-0	COCK LEVER		1			
037	282023-2	HOSE CLAMP 14		1	*		
037-1	281045-9	Hose clamp 14	<	1			
038	422982-0	TUBE 10-370		1			
039	282023-2	HOSE CLAMP 14		1			
040	422981-2	TUBE 10-45		1	*		
040-1	422C13-3	Tube 10-45	<	1			
041	282023-2	HOSE CLAMP 14		1			
042	122D52-6	COCK ASSEMBLY A		1			
C10	266326-2	TAPPING SCREW 4X18		1			

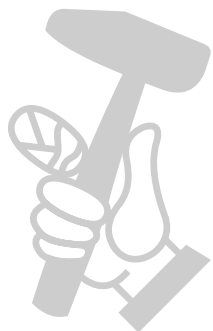
C20	457675-0	COCK LEVER		1		
043	282023-2	HOSE CLAMP 14		1		
044	422980-4	TUBE 10-100		1		
045	282023-2	HOSE CLAMP 14		1		
046	122E16-6	STRAINER ASSEMBLY		1		
C10	413M62-1	STRAINER		1		
049	136985-5	SOLENOID VALVE ASS'Y		1		
C10	213063-9	O RING 10		1		
051	282023-2	HOSE CLAMP 14		1		
052	422983-8	TUBE 10-500		1	*	
052-1	422C15-9	Tube 10-600	<	1		
053	282023-2	HOSE CLAMP 14		1	*	
053-1	281045-9	Hose clamp 14	<	1		
054	266326-2	TAPPING SCREW 4X18		2		
055	266326-2	TAPPING SCREW 4X18		4		
056	183Y74-7	TERMINAL BOX SET		1		
C10	263005-3	RUBBER PIN 6		4		
056		INC. 60				
057	632P65-6	TERMINAL UNIT		2		
060	183Y74-7	TERMINAL BOX SET		1		
C10	263005-3	RUBBER PIN 6		4		
060		INC. 56				
061	266326-2	TAPPING SCREW 4X18		4		
062	413M52-4	CONTROLLER CASE COVER		1		
063	620K75-5	CONTROLLER		1		
065	266326-2	TAPPING SCREW 4X18		4		
066	413M43-5	ELBOW SUPPORT		1		
067	266326-2	TAPPING SCREW 4X18		4		
068	413M58-2	CLAMP		2		
069	413G61-7	REAR COVER		1		
070	413G72-2	FAN GUIDE		1		
072	252286-4	COLLARED HEX.LOCK NUT M5-8		1		
073	240177-1	FAN 110		1		
074	413G67-5	MOTOR HOUSING COVER		1		
075	266130-9	TAPPING SCREW BIND PT 3X16		4		
076	210040-2	BALL BEARING 698LLU		1		
077	519639-3	ROTOR ASS'Y		1	*	
077		INC. 76,78			*	
077-1	519639-3	ROTOR ASS'Y	O	1		
077-1		INC. 76,78				
078	210022-4	BALL BEARING 626DDW		1		
079	629C09-7	STATOR		1		
080	413M44-3	MOTOR HOUSING		1		
081	422877-7	RUBBER CUSHION		2		
082	266130-9	TAPPING SCREW BIND PT 3X16		3		
083	424721-4	RUBBER RING 115		1		
084	422879-3	GROMMET		1		
085	413G64-1	CAP		1		
086	266130-9	TAPPING SCREW BIND PT 3X16		3		
087	256938-9	ROD 5		2		
088	961011-9	STOP RING E-4		2		

089	266326-2	TAPPING SCREW 4X18		12		
091	136912-2	UPPER HOUSING ASSEMBLY		1	*	
C10	8030S0-0	XGT LOGO LABEL		1	*	
091-1	136912-2	UPPER HOUSING ASSEMBLY	O	1		
C10	8030S0-0	XGT LOGO LABEL		1		
092	8587F3-0	PM001G NAME PLATE		1		
093	8587G1-1	PM001G SERIAL NO. LABEL		1		
094	413M54-0	BATTERY COVER		1		
095	231240-1	COMPRESSION SPRING 7		1		
096	413M55-8	LOCK LEVER		1		
097	413M51-6	ELBOW		1		
099	183X87-2	LEVER CASE SET		1		
C10	252103-8	HEX. LOCK NUT M5-8		1		
099		INC. 111				
104	265C61-7	THUMB SCREW M5X35		1		
105	620L36-1	INDICATION CIRCUIT COMPLETE		1		
106	620L35-3	SWITCH CIRCUIT COMPLETE		1		
C10	136982-1	SWITCH PLATE ASS'Y		1		
C20	266490-9	TAPPING SCREW PT 2X6		3		
107	651492-2	SWITCH C3JR-1A-PAXD3		1		
108	413G68-3	SWITCH LEVER		1		
109	687260-7	STRAIN RELIEF		1		
110	266326-2	TAPPING SCREW 4X18		1		
111	183X87-2	LEVER CASE SET		1		
C10	252103-8	HEX. LOCK NUT M5-8		1		
111		INC. 99				
112	266326-2	TAPPING SCREW 4X18		6		
113	699220-7	POWER SUPPLY CORD UNIT		1	*	
113-1	699252-4	Power supply cord unit	S	1		
114	162B56-4	SWIVEL PIPE COMPLETE		1	*	
114-1	1410Y7-3	Swivel pipe complete	S	1		
C10	8082A2-7	INDICATION LABEL		2		
115	281040-9	HOSE CLAMP 110		1		
116	413M50-8	FLEXIBLE PIPE 100		1		
117	122F35-8	HOSE CLAMP 110 ASSEMBLY		1		
C10	252103-8	HEX. LOCK NUT M5-8		1		
C20	911258-5	PAN HEAD SCREW M5X35		1		
118	266007-8	TAPPING SCREW BIND PT 3X10		1		
119	453505-3	NOZZLE CAP		1		
120	213686-3	O-RING 12		1		
121	268288-0	PIN 5.5		1		
122	234244-2	COMPRESSION SPRING 3		1		
123	282023-2	HOSE CLAMP 14		1	*	
123-1	281045-9	Hose clamp 14	<	1		
124	422984-6	TUBE 10-750		1	*	
124-1	422C16-7	Tube 10-750	<	1		
125	282023-2	HOSE CLAMP 14		1	*	
125-1	281045-9	Hose clamp 14	<	1		
126	122D53-4	COCK ASSEMBLY B		1		
C10	266326-2	TAPPING SCREW 4X18		1		
C20	457675-0	COCK LEVER		1		
127	413M66-3	TOP ADAPTER		1		

128	266045-0	TAPPING SCREW 4X20		1		
129	213437-4	O RING 28		1		
130	413M59-0	SLEEVE 23		1		
131	327A93-1	NOZZLE 4.5		1		
132	213647-3	O-RING 9		1		
133	141M72-5	NOZZLE ADAPTER COMPLETE		1		
C10	898280-8	INDICATION LABEL		1		
134	911228-4	PAN HEAD SCREW M5X18		1		
135	281040-9	HOSE CLAMP 110		1		
136	632L49-0	SWITCH UNIT		1		
137	233101-1	COMPRESSION SPRING 4		1		
138	413M49-3	ACTIVATE LEVER		1		
139	162B60-3	BAND B COMPLETE		1		
A01	327C46-2	NOZZLE 0.5		1		
A02	453506-1	DIFFUSION COVER		1		
A03	781006-4	WRENCH 13		1	*	
A03-1	781039-9	WRENCH 13	0	1		
A04	412393-7	BATTERY COVER		2		
A05	***DC40RB	DC40RB TWO PORT FAST CHARGER		1		
A05		COMPO-PARTS				
A06B	191L47-8	BATTERY BL4050F SET		2		
A06C	191X65-8	BATTERY BL4080F SET		2		
E01	688161-2	LINE FILTER		1		
E02	688163-8	LINE FILTER		1		

Please state Parts No. when your order.

Print Date 07/07/2025



МАГАЗИН МАЙСТОР
БАШ МАЙСТОР
ПРОФЕСІОНАЛНА РЕШЕННЯ