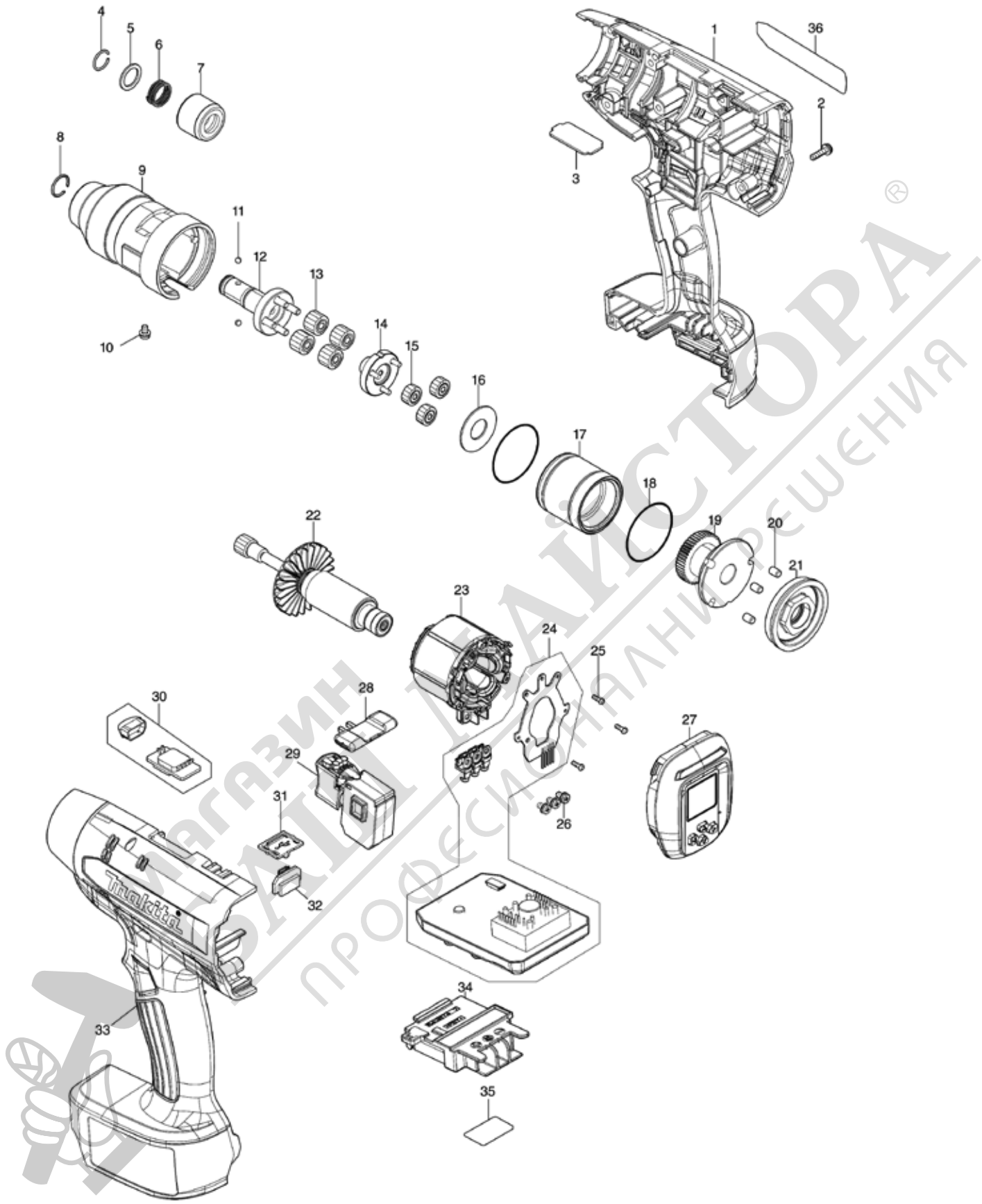


Model No.DFT060T CORDLESS SCREWDRIVER



Model No.DFT060T CORDLESS SCREWDRIVER

Item	Parts No.	Description	I/C	Qty	New/Old	Opt. 1	Opt. 2	Note
001	183U77-7	HOUSING SET		1				
C10	263005-3	RUBBER PIN 6		2				
D10		INC. 33						
002	266816-5	+ PAN HEAD SCREW M3X12 WITH WR		10	*			
002-1	265C77-2	PAN HEAD SCREW M3X14 WITH WR	<	10				
003	347920-0	PLATE U		1				
004	231965-7	RING SPRING 10		1				
005	267143-3	FLAT WASHER 11		1				
006	233005-7	COMPRESSION SPRING 13		1				
007	162218-2	SLEEVE		1				
008	231951-8	RING SPRING 11		1				
009	141G51-7	GEAR CASE COMPLETE		1				
010	652069-6	FLAT HEAD SCREW M3X6		1				
011	216019-1	STEEL BALL 3		2				
012	141G50-9	SPINDLE M COMPLETE		1				
013	221537-6	SPUR GEAR 16		4				
014	141G47-8	SPUR GEAR 13 COMPLETE C		1				
015	227924-7	SPUR GEAR 15		3				
016	253546-7	FLAT WASHER 12		1				
017	227925-5	INTERNAL GEAR 47		1				
018	213A16-4	O-RING 30		2				
019	162B27-1	TORQUE SENCER 6 COMPLETE		1				
020	268143-6	PIN 4		3				
021	312C39-2	BEARING BOX		1				
022	619718-8	ROTOR		1				
023	629A94-8	STATOR		1				
024	620H64-2	CONTROLLER		1				
025	266490-9	TAPPING SCREW PT 2X6		3				
026	652069-6	FLAT HEAD SCREW M3X6		3				
027	632T10-5	DISPLAY UNIT		1				
028	457469-3	F/R CHANGE LEVER		1				
029	651082-1	SWITCH C3JW-1B-S		1				
030	620H65-0	BUZZER CIRCUIT		1				
031	413C81-7	USB COVER		1				
032	620H66-8	USB CIRCUIT		1				
033	183U77-7	HOUSING SET		1				
C10	263005-3	RUBBER PIN 6		2				
D10		INC. 1						
034	643874-2	TERMINAL		1				
035	8115F8-9	DFT060T SERIAL NO. LABEL		1				
036	8115F3-9	DFT060T NAME PLATE		1				

Please order the parts with part number.

Print Date 30/5/2022