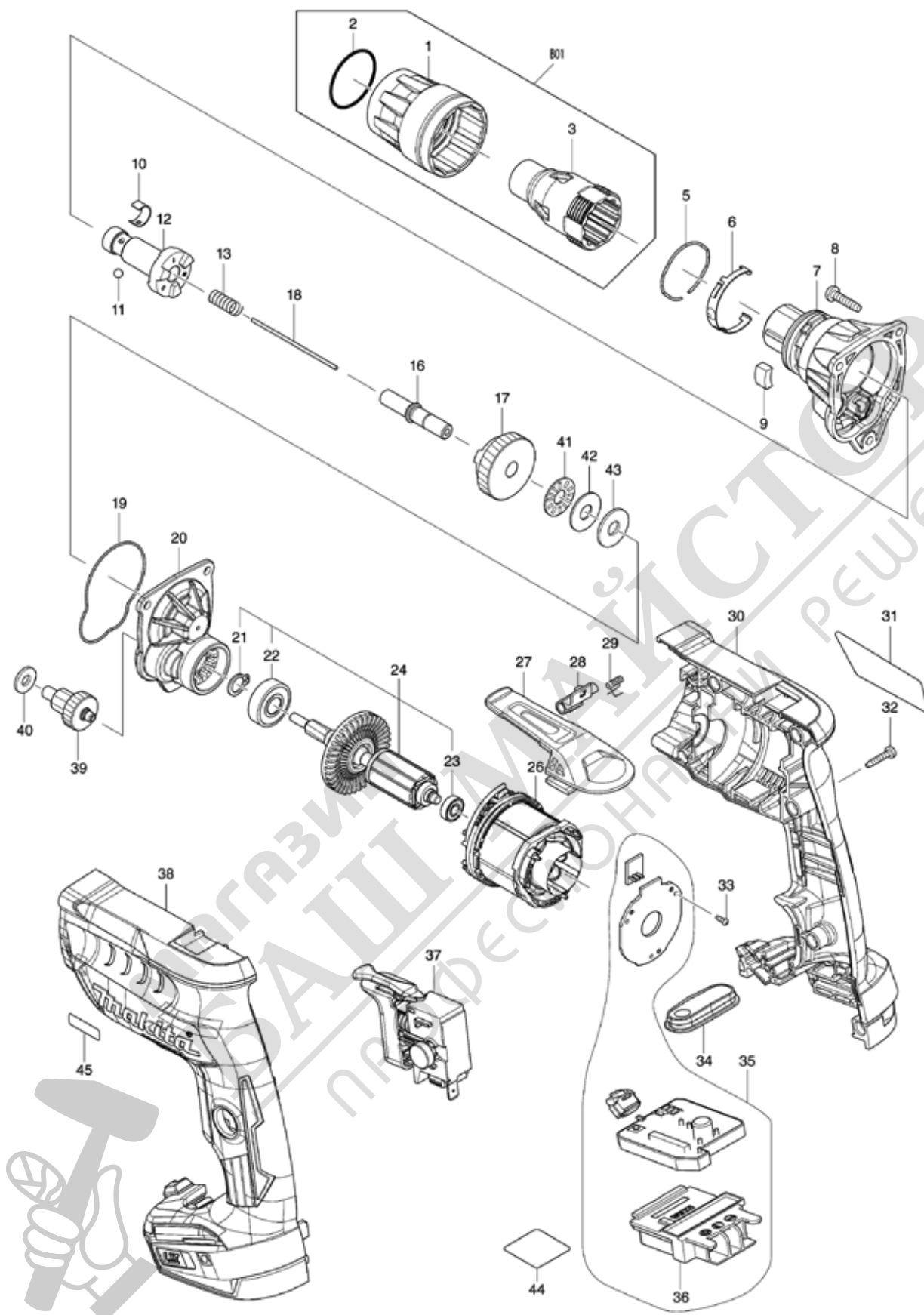


Model No.DFS251 CORDLESS SCREWDRIVER



Model No.DFS251 CORDLESS SCREWDRIVER

Item	Parts No.	Description	I/C	Qty	New/Old	Opt. 1	Opt. 2	Note
001	455591-0	LOCK RING		1				
002	424235-3	SEAL RING 30		1				
003	450968-4	LOCATOR 3/8"		1				
005	234348-0	RING SPRING 30		1				
006	232245-4	LEAF SPRING		1				
007	144157-8	GEAR HOUSING COMPLETE		1				
C10	213139-2	DUST SEAL 13		1				
008	265995-6	TAPPING SCREW 4X18		3	*			
008-1	265A48-7	TAPPING SCREW 4X18	O	3				
009	423413-2	RUBBER PLATE		1				
010	232050-9	LEAF SPRING		1				
011	216001-0	STEEL BALL 3.5		1				
012	326839-6	SPINDLE 180N		1				
013	233126-5	COMPRESSION SPRING 6		1				
016	256343-0	COLLARED PIN 8		1				
017	221479-4	SPUR GEAR 34-180		1				
018	256342-2	ROD 2		1				
019	424928-2	SEAL RING		1				
020	144161-7	GEAR HOUSING COVER COMPLETE		1				
C10	210003-8	BALLBEARING 685ZZ		1				
021	961005-4	RETAINING RING S-9		1				
022	211493-8	BALL BEARING 609DDW		1				
023	210039-7	BALL BEARING 695DDW		1	*			
023-1	211157-4	BALL BEARING 695ZZ	O	1				
024	519424-4	ROTOR ASS'Y		1	*			
D10		INC. 21-23			*			
024-1	510471-8	ROTOR ASS'Y	O	1				
D10		INC. 21-23						
026	629135-4	STATOR		1				
027	162272-6	HOOK		1				
028	142908-3	LEVER COMPLETE		1	*			
028-1	140M84-5	LEVER COMPLETE	<	1				
029	233619-2	TORSION SPRING 3		1				
030	183F17-5	HOUSING SET		1				
C10	263005-3	RUBBER PIN 6		2				
C20	252126-6	HEX. LOCK NUT M4-7		2				
D10		INC. 38						
031	852V41-2	DFS251 NAME PLATE		1				
032	266130-9	TAPPING SCREW BIND PT 3X16		7				
033	266490-9	TAPPING SCREW PT 2X6		3				
034	144162-5	SWITCH PLATE COMPLETE		1				

Please order the parts with part number.

Print Date 26/3/2020

Model No.DFS251 CORDLESS SCREWDRIVER

Item	Parts No.	Description	I/C	Qty	New/Old	Opt. 1	Opt. 2	Note
035	620616-1	CONTROLLER COMPLETE		1				
D10		INC. 36						
036	643860-3	TERMINAL		1				
037	650733-3	SWITCH C3JW-4B-2L		1				
038	183F17-5	HOUSING SET		1				
C10	263005-3	RUBBER PIN 6		2				
C20	252126-6	HEX. LOCK NUT M4-7		2				
D10		INC. 30						
039	221478-6	GEAR COMPLETE 9-23		1				
040	267100-1	FLAT WASHER 6		1				
041	216415-3	THRUST NEEDLE CAGE 821		1	*			
041-1	216415-3	THRUST NEEDLE CAGE 821	O	1				
042	216212-7	WASHER 821		1				
043	261111-8	URETHANE WASHER 8		1				
044	852U75-9	DFS251 SERIAL NO. LABEL		1				
045	810W86-2	2500RPM INDICATION LABEL		1				
A01	266622-8	+ TRUSS HEAD SCREW M4X12		1				
A02	346317-0	HOOK		1				
A03	784806-1	MAGNETIC SOCKET BIT 10-65		1				
A04A	450128-8	BATTERY COVER		1				
A04B	450128-8	BATTERY COVER		1				
A04C	450128-8	BATTERY COVER		1				
A05A	***DC18RC	DC18RC FAST CHARGER		1				
D10		COMPO-PARTS						
A05B	***DC18RC	DC18RC FAST CHARGER		1				
D10		COMPO-PARTS						
A05C	***DC18RC	DC18RC FAST CHARGER		1				
D10		COMPO-PARTS						
A06A	197600-6	BATTERY BL1830B SET		2	*			
A06B	197265-4	BATTERY BL1840B SET		2	*			
A06C	197280-8	BATTERY BL1850B SET		2	*			
A06-1A	197600-6	BATTERY BL1830B SET	O	2				
A06-1B	197265-4	BATTERY BL1840B SET	O	2				
A06-1C	197280-8	BATTERY BL1850B SET	O	2				
A07A	821550-0	CONNECTOR PLASTIC CASE (TYPE2)		1				
C10	453974-8	LATCH		4				
A07B	821550-0	CONNECTOR PLASTIC CASE (TYPE2)		1				
C10	453974-8	LATCH		4				
A07C	821550-0	CONNECTOR PLASTIC CASE (TYPE2)		1				
C10	453974-8	LATCH		4				

Please order the parts with part number.

Print Date 26/3/2020

Model No.DFS251 CORDLESS SCREWDRIVER

Item	Parts No.	Description	I/C	Qty	New/Old	Opt. 1	Opt. 2	Note
A08A	837805-3	INNER TRAY		1				
A08B	837805-3	INNER TRAY		1				
A08C	837805-3	INNER TRAY		1				
A09A	810Y35-1	DFS251RFJ INDICATION LABEL		1				
A09B	810Y37-7	DFS251RMJ INDICATION LABEL		1				
A09C	810Y39-3	DFS251RTJ INDICATION LABEL		1				
A10A	810Y36-9	DFS251RFJ PLASTIC CASE LABEL		2				
A10B	810Y38-5	DFS251RMJ PLASTIC CASE LABEL		2				
A10C	810Y40-8	DFS251RTJ PLASTIC CASE LABEL		2				
B01	197027-0	LOCATOR 3/8" SET		1				
D10		INC. 1-3						

Please order the parts with part number.

Print Date 26/3/2020



МАГАЗИН МАЙСТОР
 БАШ МАЙСТОР
 ПРОФЕСІОНАЛНИ РЕШЕННЯ