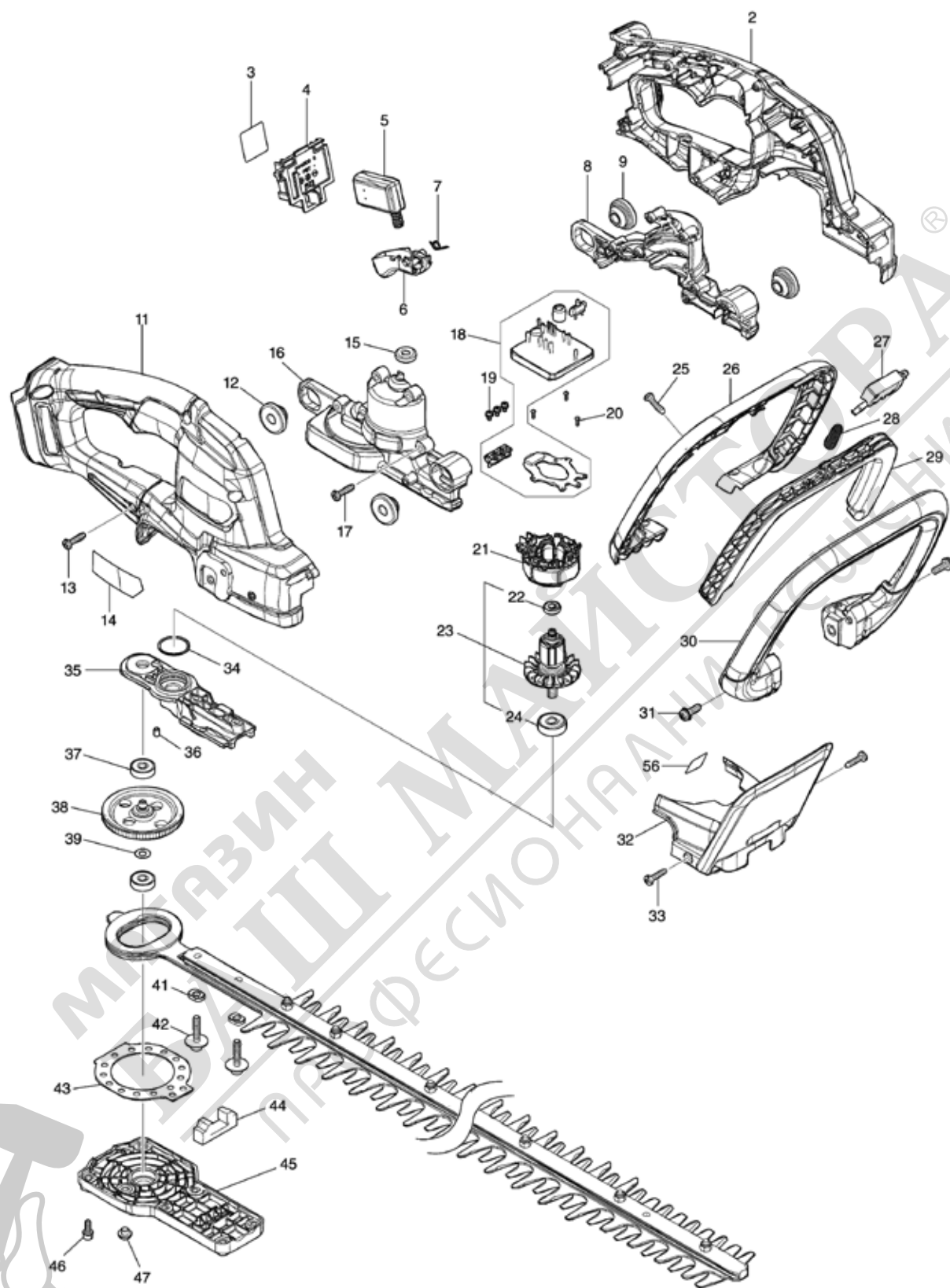
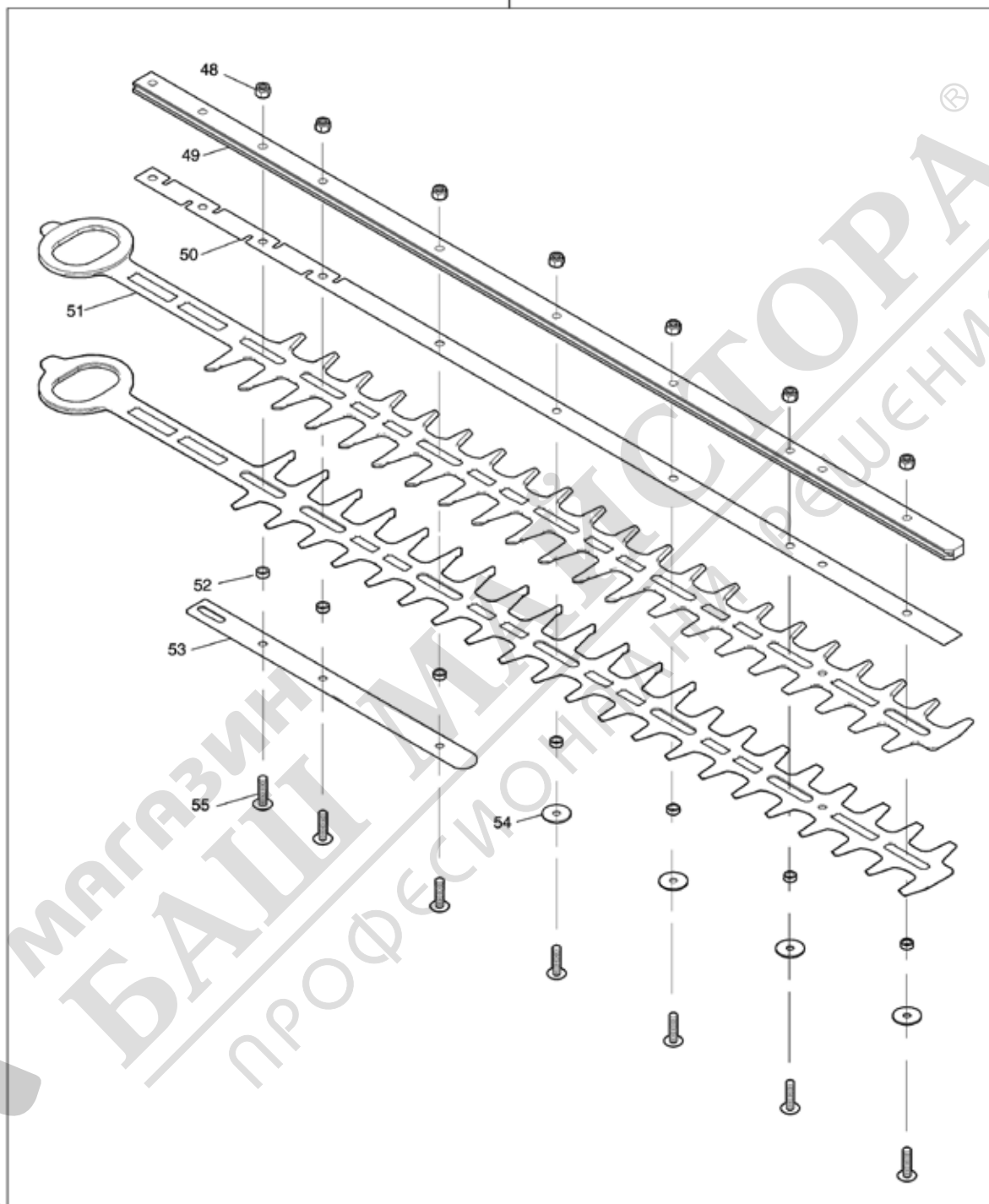


Model No.DUH606 500MM CORDLESS HEDGE TRIMMER



Model No.DUH606 500MM CORDLESS HEDGE TRIMMER

40



Model No.DUH606 500MM CORDLESS HEDGE TRIMMER

Item	Parts No.	Description	I/C	Qty	New/Old	Opt. 1	Opt. 2	Note
002	183V39-1	HANDLE SET		1				
C10	263005-3	RUBBER PIN 6		2				
D10		INC. 11						
003	8580P9-6	DUH606 SERIAL NO. LABEL		1				
004	644809-6	TERMINAL		1				
005	650033-1	SWITCH C3XA-3PSPM-1		1				
006	413J41-1	SWITCH LEVER RE		1				
007	232770-5	TORSION SPRING 6		1				
008	183V95-1	MOTOR HOUSING SET		1				
D10		INC. 16						
009	424394-3	RUBBER RING 8		2				
011	183V39-1	HANDLE SET		1				
C10	263005-3	RUBBER PIN 6		2				
D10		INC. 2						
012	424394-3	RUBBER RING 8		2				
013	266326-2	TAPPING SCREW 4X18		7				
014	8580P3-8	DUH606 NAME PLATE		1				
015	424195-9	RUBBER RING 6		1				
016	183V95-1	MOTOR HOUSING SET		1				
D10		INC. 8						
017	266326-2	TAPPING SCREW 4X18		6				
018	620J54-7	CONTROLLER		1				
019	652069-6	FLAT HEAD SCREW M3X6		3				
020	266490-9	TAPPING SCREW PT 2X6		3				
021	629B24-5	STATOR		1				
022	211157-4	BALL BEARING 695ZZ		1				
023	519764-0	ROTOR ASSY		1				
D10		INC. 22,24						
024	210023-2	BALL BEARING 627DDW		1				
025	266326-2	TAPPING SCREW 4X18		6				
026	413J39-8	FRONT HANDLE COVER E		1				
027	650034-9	SWITCH D2VW-01L3-3HS		1				
028	231325-3	COMPRESSION SPRING 6		1				
029	413J40-3	SWITCH LEVER FE		1				
030	413J38-0	FRONT HANDLE E		1				
031	911223-4	PAN HEAD SCREW M5X16		2				
032	141K47-2	PROTECTOR COMPLETE		1				
C10	8059E3-6	CAUTION LABEL		1				
033	266326-2	TAPPING SCREW 4X18		2				
034	213961-7	O RING 22		1				
035	312D09-7	BEARING HOUSING E		1				
036	263002-9	RUBBER PIN 4		1				

Please order the parts with part number.

Print Date 18/1/2023

Model No.DUH606 500MM CORDLESS HEDGE TRIMMER

Item	Parts No.	Description	I/C	Qty	New/Old	Opt. 1	Opt. 2	Note
037	211016-2	BALL BEARING 626LLB		2				
038	141K44-8	GEAR COMPLETE		1				
039	253715-0	FLAT WASHER 6		1				
040	1910H9-0	SHEAR BLADE 600E SET		1				
C10	199450-5	GREASE VESSEL SET		1				
C20	313436-7	SPACER		2				
D10		INC. 48-55						
041	313436-7	SPACER		2				
042	265A89-3	H.S.H.BOLT M5X25 WITH WR		2				
043	347A10-5	PLATE		1				
044	422904-0	DUST GUARD		1				
045	413J26-7	UNDER COVER		1				
046	922118-6	HEX. SOCKET HEAD BOLT M4X12		6				
047	266559-9	H.S.BUTTON HEAD BOLT M6X4		1				
048	264013-7	HEX. LOCK NUT M5-8		7				
049	327982-4	GUIDE BAR 600E		1				
050	347987-8	PLATE 600E		1				
051	725300-4	SHEAR BLADE 600E		2				
052	257876-8	RING 5		7				
053	347990-9	LOWER PLATE		1				
054	253571-8	FLAT WASHER 5		4				
055	265A40-3	+TRUSS HEAD SCREW M5X20		7				
056	807E85-5	SOUND 92DB LABEL		1				
A01	413L92-6	BLADE COVER 600		1				
A02B	***DC18RC	DC18RC FAST CHARGER		1				
D10		COMPO-PARTS						
A02C	***DC18RC	DC18RC FAST CHARGER		1				
D10		COMPO-PARTS						
A03B	450128-8	BATTERY COVER		1				
A03C	450128-8	BATTERY COVER		1				
A04B	197280-8	BATTERY BL1850B SET		1				
A04C	197600-6	BATTERY BL1830B SET		1				
F02	1910T1-0	CHIP RECEIVER 500 SET		1				
F03	199450-5	GREASE VESSEL SET		1				

Please order the parts with part number.

Print Date 18/1/2023

