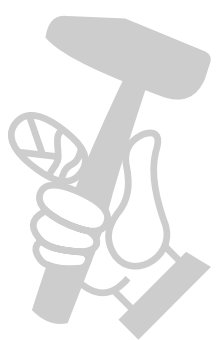
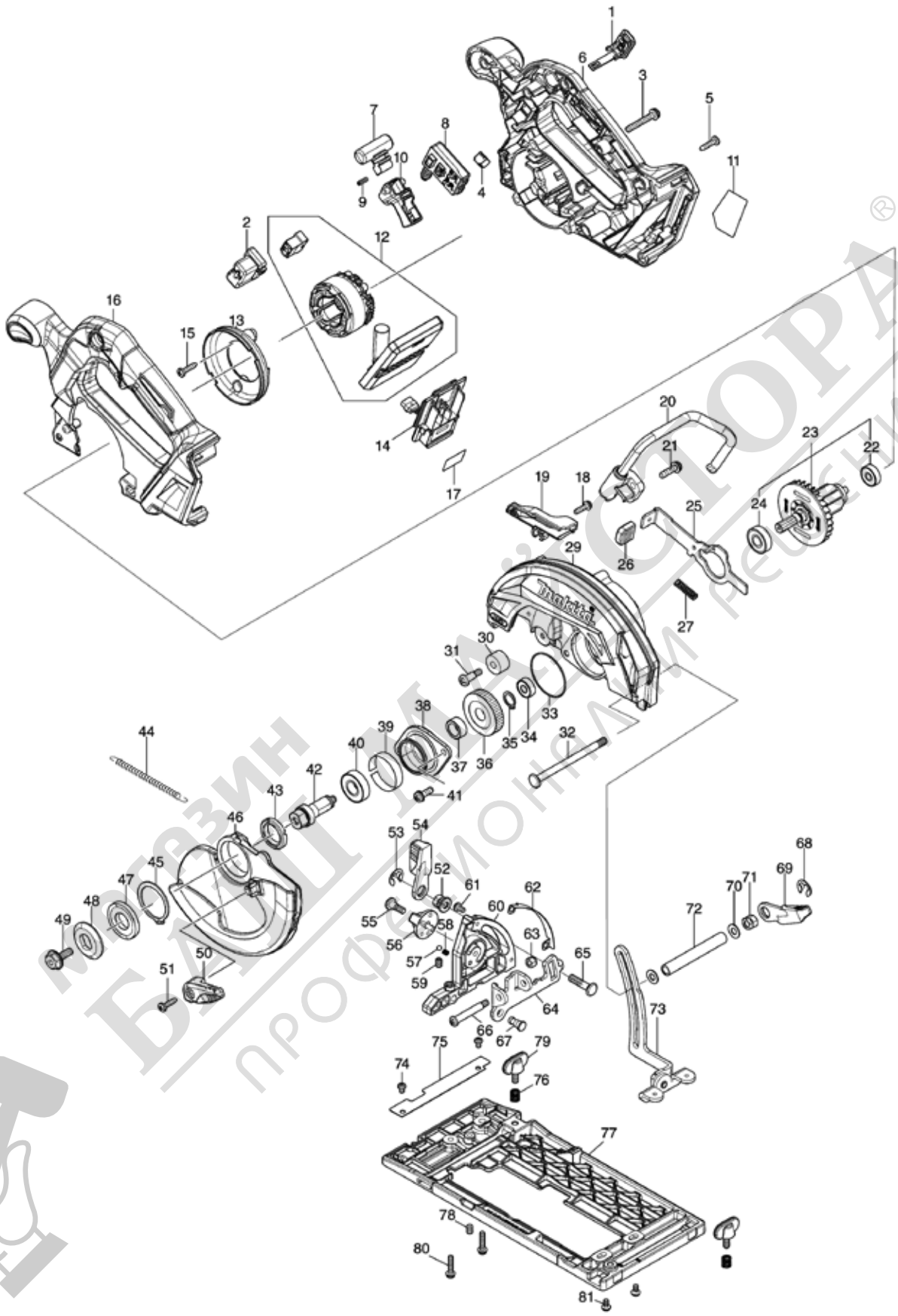


Model No.HS012G 165MM CORDLESS CIRCULAR SAW



Model No.HS012G 165MM CORDLESS CIRCULAR SAW

Item	Parts No.	Description	I/C	Qty	New/Old	Opt. 1	Opt. 2	Note
001	140G30-2	CAP COMPLETE		1				
C10	213A05-9	O-RING16		1				
002	459256-6	HOLDER		1				
003	911258-5	PAN HEAD SCREW M5X35		3				
004	620936-3	LED CIRCUIT		1				
005	265995-6	TAPPING SCREW 4X18		8				
006	136839-6	MOTOR HOUSING ASSEMBLY		1				
C10	263005-3	RUBBER PIN 6		1				
007	419704-7	LOCK OFF BUTTON		1				
008	650008-0	SWITCH C3XB-1LPSPM		1				
009	231433-0	COMPRESSION SPRING 4		1				
010	413N46-5	SWITCH LEVER		1				
011	8586D6-4	HS012G NAME PLATE		1				
012	629B81-3	STATOR COMPLETE		1				
013	413N45-7	BAFFLE PLATE		1				
014	632P65-6	TERMINAL UNIT		1				
015	265995-6	TAPPING SCREW 4X18		2				
016	136840-1	HANDLE COVER ASSEMBLY		1				
C10	263005-3	RUBBER PIN 6		1				
017	8586E4-5	HS012G SERIAL NO. LABEL		1				
018	911128-8	P.H.SCREW M4X16 WITH WR		1				
019	455483-3	DUCT		1				
020	122D67-3	HOOK ASSEMBLY		1				
021	911233-1	PAN HEAD SCREW M5X20		2				
022	210022-4	BALL BEARING 626DDW		1				
023	519778-9	ROTOR ASSEMBLY		1				
D10		INC. 22,24						
024	211491-2	BALL BEARING 609DDW		1				
025	346837-4	SHAFT LOCK		1				
026	286039-9	CAP		1				
027	233117-6	COMPRESSION SPRING 6		1				
029	183Y42-0	BLADE CASE SET		1				
C10	213953-6	O RING 24		1				
C20	8007R2-2	XGT LOGO LABEL		1				
030	262552-1	RUBBER SLEEVE 6		1				
031	265115-2	+ PAN HEAD SCREW M5		1				
032	266194-3	FLAT HEAD SCREW M6X90		1				
033	213565-5	O RING 42		1				
034	210206-4	BALL BEARING 606ZZ		1				
035	961052-5	RETAINING RING (EXT) S-12		1				
036	227A40-1	HELICAL GEAR 52		1				
037	257349-1	SLEEVE 12		1				

Please order the parts with part number.

Print Date 12/1/2023

Model No.HS012G 165MM CORDLESS CIRCULAR SAW

Item	Parts No.	Description	I/C	Qty	New/Old	Opt. 1	Opt. 2	Note
038	319212-7	BEARING BOX		1				
039	347B30-5	THICKNESS RING 34		1				
040	211131-2	BALL BEARING 6001DDW		1				
041	911223-4	PAN HEAD SCREW M5X16		2				
042	326459-6	SPINDLE		1				
043	285845-9	BEARING RETAINER 19-29		1				
044	231878-2	TENSION SPRING 4		1				
045	961152-1	RETAINING RING (EXT) S-34		1				
046	312D77-0	SAFETY COVER		1				
047	224593-5	INNER FLANGE 35		1				
048	224409-4	OUTER FLANGE 35		1				
049	266924-2	HEX. SOCKET HEX. BOLT M6X18		1				
050	271474-4	LEVER 37		1				
051	266034-5	TAPPING SCREW CT 4X16		1				
052	252320-0	HEX. NUT M6		1				
053	257982-9	BOW STOP RING E-8		1				
054	271446-9	LEVER 45		1				
055	251370-2	+ PAN HEAD SCREW M5		1				
056	413N47-3	DIAL 27		1				
057	216008-6	STEEL BALL 4		1				
058	233314-4	COMPRESSION SPRING 4		1				
059	266436-5	H.S.SET SCREW(FLAT POINT)M5X8		1				
060	312D78-8	ANGULAR PLATE		1				
061	251358-2	+ PAN HEAD SCREW M4X8		2				
062	347A92-7	BEVEL GUIDE		1				
063	252103-8	HEX. LOCK NUT M5-8		1				
064	347A90-1	ANGULAR GUIDE		1				
065	266309-2	CAP SQUARE NECK BOLT M6X26		1				
066	265056-2	+ PAN HEAD SCREW M5		1				
067	256511-5	SHOULDER PIN 6-7		1				
068	257982-9	BOW STOP RING E-8		1				
069	271446-9	LEVER 45		1				
070	941151-9	FLAT WASHER 6		2				
071	264103-6	HEX. NUT M6		1				
072	332126-3	PIPE 6		1				
073	162C19-6	DEPTH GUIDE COMPLETE		1				
074	911102-6	PAN HEAD SCREW M4X6		2				
075	347A93-5	TOP GUIDE		1				
076	231456-8	COMPRESSION SPRING 7		2				
077	312D76-2	BASE		1				

Please order the parts with part number.

Print Date 12/1/2023

Model No.HS012G 165MM CORDLESS CIRCULAR SAW

Item	Parts No.	Description	I/C	Qty	New/Old	Opt. 1	Opt. 2	Note
078	266436-5	H.S.SET SCREW(FLAT POINT)M5X8		1				
079	265720-5	THUMB SCREW M5X14		2				
080	911138-5	P.H.SCREW M4X20 WITH WR		2				
081	265648-7	PAN HEAD SCREW M4X8		2				
A01	783203-8	HEX. WRENCH 5		1				
A02	196961-1	DUST NOZZLE SET		1				
C10	911128-8	P.H.SCREW M4X16 WITH WR		1				
A03	B-62985	TCT BLADE165X25T WOOD EFFICUT		1				
A04	164095-8	GUIDE RULE		1				
A05B	821551-8	CONNECTOR PLASTIC CASE (TYPE3)		1				
C10	453974-8	LATCH		4				
A05C	821551-8	CONNECTOR PLASTIC CASE (TYPE3)		1				
C10	453974-8	LATCH		4				
A06B	8065G4-7	HS012GZ01 INDICATION LABEL		1				
A06C	8065G6-3	HS012GD201 INDICATION LABEL		1				
A07B	8065G5-5	HS012GZ01 PLASTIC CASE LABEL		2				
A07C	8065G7-1	HS012GD201 PLASTIC CASE LABEL		2				
A08B	8357J2-7	INNER TRAY		1				
A08C	8357J2-7	INNER TRAY		1				
A09C	412393-7	BATTERY COVER		1				
A10C	***DC40RA	DC40RA FAST CHARGER		1				
D10		COMPO-PARTS						
A11C	191B36-3	BATTERY BL4025 SET		2				
F23	198885-7	GUIDE RAIL CONNECTOR SET(EU)		1				

Please order the parts with part number.

Print Date 12/1/2023

