

**3565.., 3585..,
3595.., 3615..**



DE (DEUTSCH)	
Gebrauchsanleitung	6
EN (ENGLISH)	
Instructions for Use	13
FR (FRANÇAIS)	
Mode d'emploi	20
NL (NEDERLANDS)	
Gebruiksaanwijzing	27
ES (ESPAÑOL)	
Instrucciones de uso	34
IT (ITALIANO)	
Istruzioni per l'uso	41

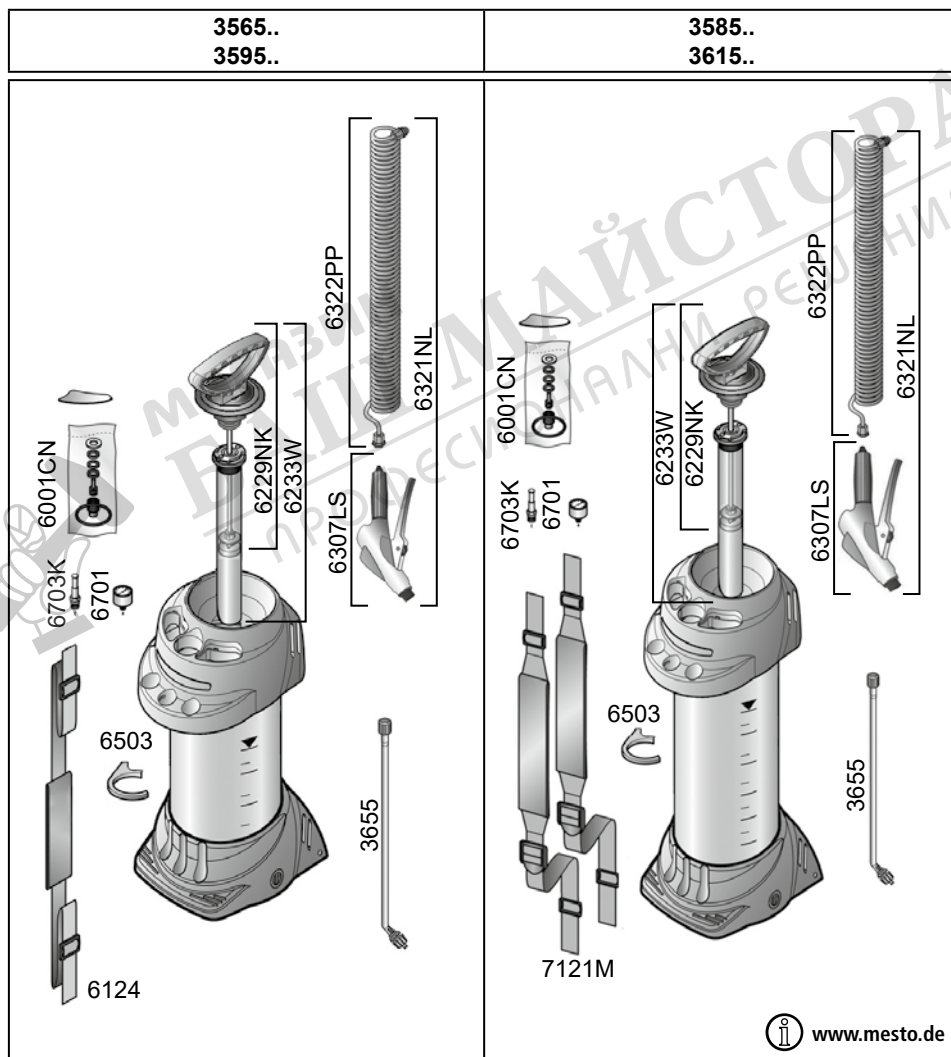


MESTO Spritzenfabrik
Ernst Stockburger GmbH
Ludwigsburger Straße 71
D-71691 Freiberg/Neckar
Tel.: +49 7141 272-0
Fax: +49 7141 272-100
info@mesto.de
www.mesto.de



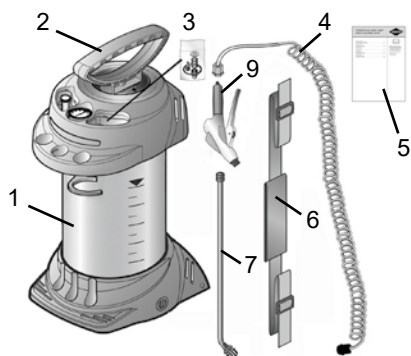
МАГАЗИН
БАШ МАЙСТОР
ПРОФЕСИОНАЛНИ РЕШЕНИЯ

Ersatzteile	Spare Parts	Pièces de Rechange
Reserve-onderdelen	Piezas de repuesto	Pezzi di ricambio

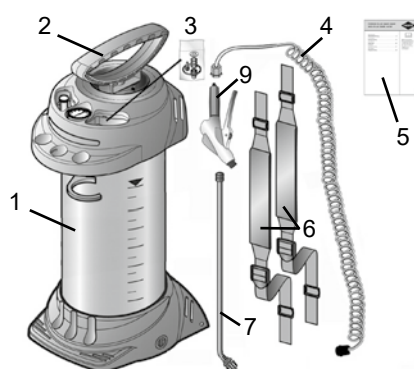


3565..
3595..

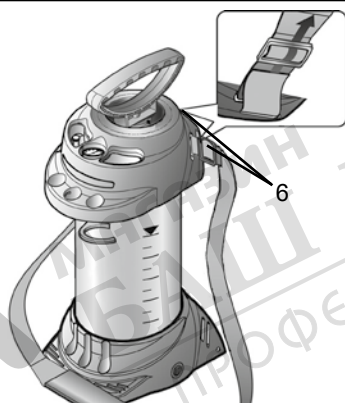
3585..
3615..



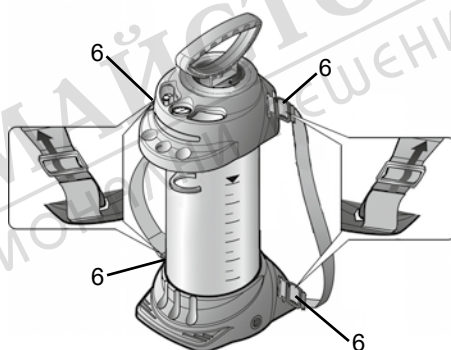
1a



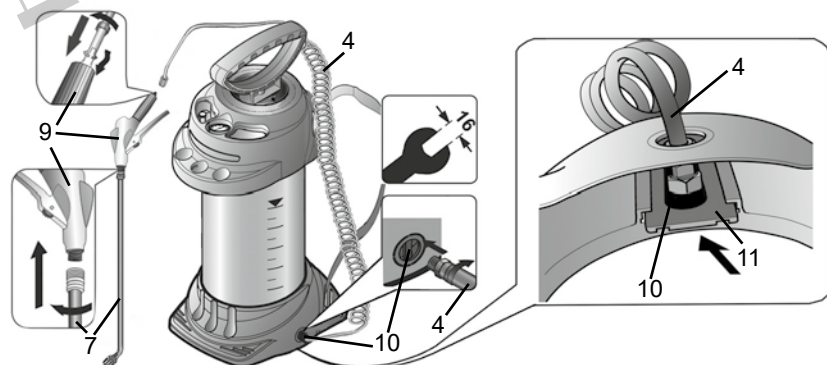
1b



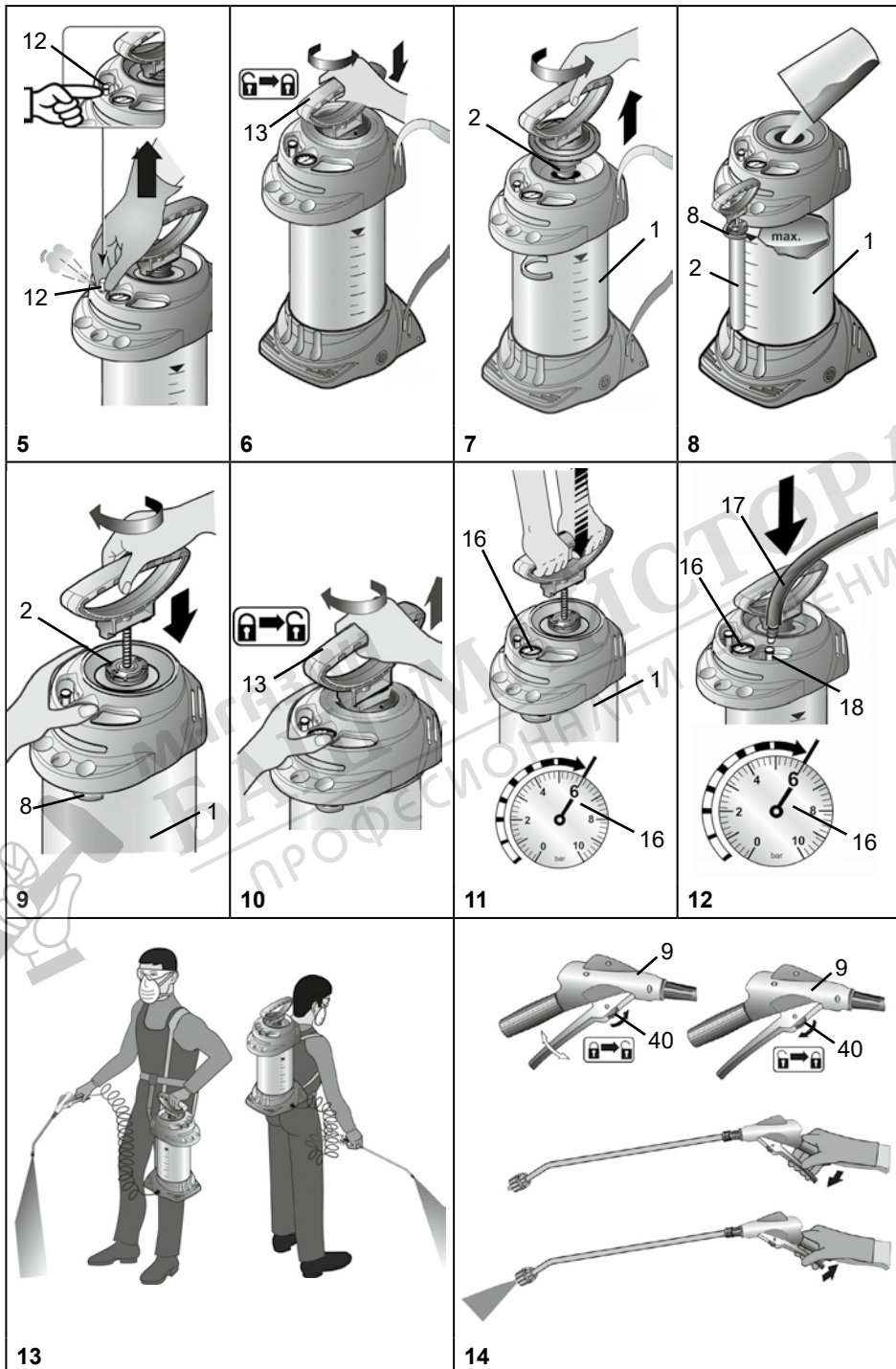
2a

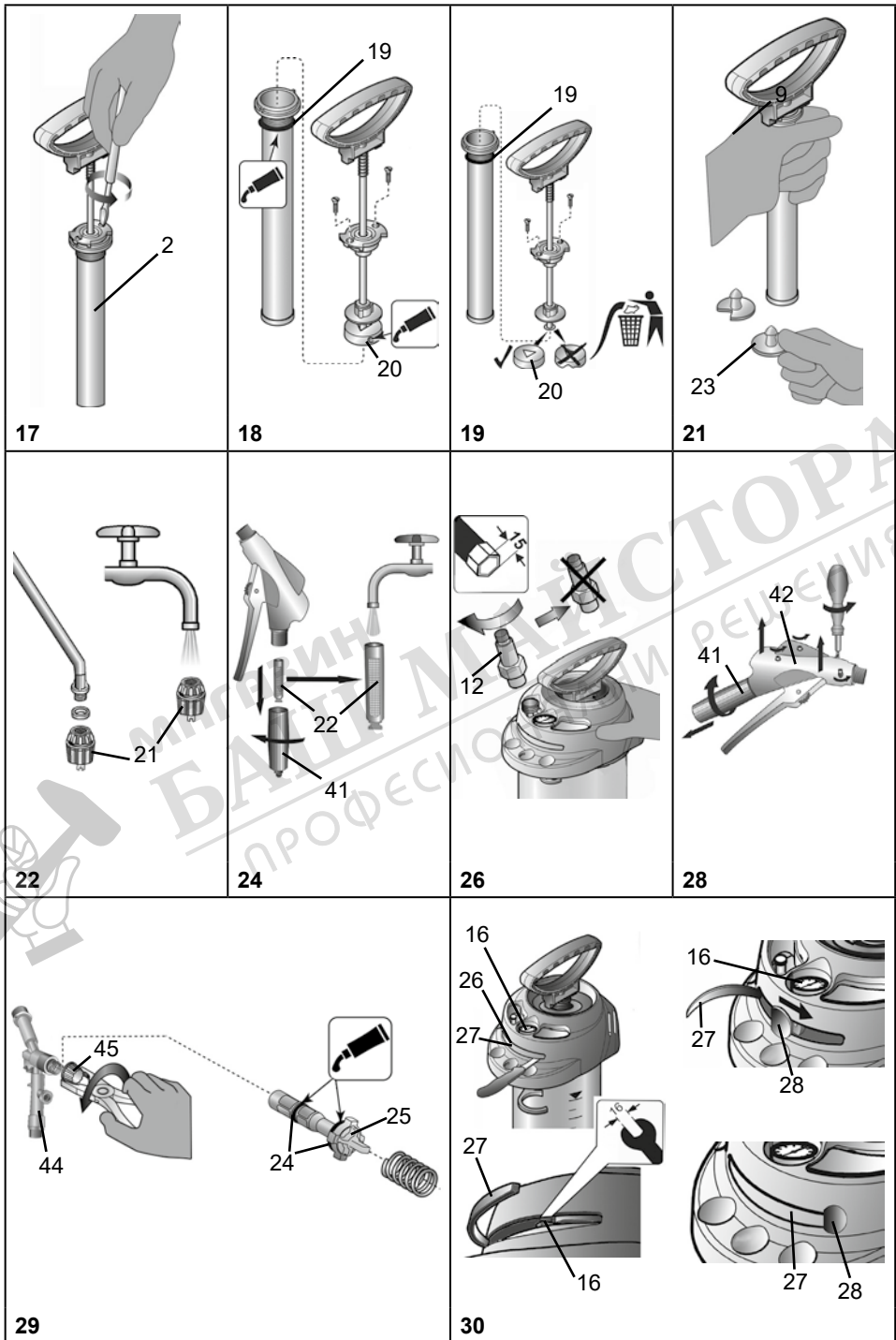


2b



3





Welcome and congratulations

on purchasing your new quality product. Thank you for the trust you have shown in our brand. Your satisfaction with our product and services is very important to us. Please contact us if your expectations are not met. You will find our address on the title page of these instructions for use.



Make certain to read the instructions for use before using the device!
Keep the instructions for use in a safe place where they can be easily found.



The instructions for use are an integral part of the device and must be enclosed when the device is passed on. Particular safety measures are required when working with the device.

Usage

Spraying devices 3565.., 3585.. and 3595.., 3615.. are designed for the spraying of forming oils and low-viscosity mineral oils, slightly alkaline construction chemicals ($pH \leq 9$). 3595.., 3615.. can also be used for solvent-free and chloride-free, neutral cleaning agents as well as low-viscosity, solvent-free emulsion paints and paints.



Improper use may result in dangerous injuries and environmental damage.

Follow the safety notices and data sheets of the substance manufacturers before each application. Observe the specified maximum concentrations for chemical substances and preparations. We will be happy to advise you on what best suits your needs. Observe the legal and statutory regulations applicable in your country.

The device may be used outdoors or in well ventilated rooms only. Have the salesperson or an expert show you how to operate the device if you are working with it for the first time.

Not suitable for

- Plant protection products
- Combustible liquids
- Hydrogen peroxide and similar substances that give off oxygen
- Corrosive substances (*certain disinfecting and impregnating agents, acids and bases*)
- Liquids containing ammonia
- liquids at temperatures above 50 °C (122 °F)
- Wetting agents (*surfactants*), solvents, and liquids containing solvents which can cause or promote cracking in the applied plastics.
- Viscous or sticky liquids or liquids that form residues (*dyes, greases*)
- Use in applications for foodstuffs.

Under no circumstances should you use

- external sources of pressure without original compressed air filling valve
- for flaming
- for storing and holding liquids
- as an eyewash.

Safety



Devices may not be used for spraying plant protection liquids.



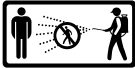
Only trained, healthy and rested people may work with the device. You should not be under the influence of alcohol, drugs or medication.

Children and adolescents must not use the device

Keep the spraying devices safe from access to children.

Take precautions to prevent hazardous substances from being misused.

→ **Accident risk!**



Keep bystanders away during spraying.

Never spray on people, animals, electrical devices and lines, into the wind, or into bodies of water.

→ **Risk of injury!**



Wear appropriate protective clothing, goggles and respiratory protection in line with the applicable national regulations when working with hazardous substances.



Avoid ignition sources in the environment.



Do not allow the device to remain under pressure and/or exposed directly to sunlight. Make certain the device is not heated beyond the maximum operating temperature. (→ *Table 1*).

Protect the device from frost and ammonia.



Never blow through the nozzles or valves with your mouth.

→ **Risk of poisoning!**



There is a risk of slipping or tripping on smooth or wet surfaces, snow, ice, on slopes and on uneven terrain.



Repairs and modifications to the device are not permitted.

Have damaged parts or parts that do not work properly repaired immediately by our customer service department or by service partners authorized by us.

The effect of the safety valve must not be bypassed or made inoperative.

→ **Explosion hazard!**



Use only original spare and accessory parts.

We cannot assume any liability resulting from the use of third-party parts.




When pumping, always observe the pressure gauge to ensure the maximum spraying pressure is not exceeded (→ *Table 1*).

All excess pressure must be released from the device before filling, after use, before carrying out maintenance work, on work breaks, and before placing it in storage.



Points to note when transporting the device: Transport the device in such a way that it is protected against damage and tipping. All excess pressure must be released from the device.

→ **Explosion hazard!**

 You will find the illustrations referred to above in the pages 3 – 5 of these instructions for use.

Scope of delivery


Tank [1], with pump [2] and spare parts pouch [3], spray line [4], instructions for use [5], carrying strap [6], spray lance [7], pump holder [8]. (Figs 1a and 1b)

Technical data

Type	3565..	3585..	3595..	3615..
Max. filling amount	6 l	10 l	6 l	10 l
Total contents	9 l	13 l	9 l	13 l
Max. spraying pressure	6 bar (88 psi)			
Max. operating temperature	50 °C (120 °F)			
Weight when empty	4.7 kg	5.2 kg	4.2 kg	4.7 kg
Total weight max. approx.	11 kg	15 kg	10 kg	15 kg
Material of tank	Steel with polyester coating		Stainless steel	
Where device is carried	Shoulder	Back	Shoulder	Back
Technical residual quantity	0.03 l			
Max. volume flow	0.78 l/min			
Recoil force	< 5 N			


Table 1

Assembly

1. Fasten the carrying strap(s) [6] on the tank [1]. (Figs. 2a + 2b)
 2. Screw the spray line [4] tightly into the outlet port [10]. (Fig. 3).
-  Note the location of the spigot in order to be able to insert the lock.
3. Insert the lock [11]. (Fig. 3).
 - ▶ The lock closes and the spray line is secured from unscrewing out of the tank.
 4. Push the hose [4] onto the shut-off valve [9] and secure it with the cap nut. (Fig. 3)
 5. Screw the spray lance [7] onto the shut-off valve [9] (Fig. 3).

Checks

Visual inspection: Are the tank [1], pump [2], spray line [4] with shut-off valve [9], pressure gage [16] and spray lance [7] undamaged? (Figs. 1, 11)


 Pay special attention to the connections between the tank – spray line and the spray line – shut-off valve and to the condition of the pump threading and spray line.

No leaks: Pump up the empty device to 2 bar (29 psi) (Fig. 11).

- ▶ The pressure must not decrease more than 0.5 bar (7,35 psi) within 30 minutes.

Function: Pull the red button on the safety valve [12]. (Fig. 5).

- ▶ The pressure must dissipate.

 Using the lock [40] the lever on the shut-off valve [9] can be locked and unlocked. Unintentional spraying is prevented after locking. (Fig. 14)

- ▶ If required, reset the lock [40] and activate the shut-off valve [9]. (Fig. 14)
- ▶ The shut-off valve must open and close.



Check the device regularly and after a longer period of non-use, e.g. a winter break. Have damaged parts or parts that do not work properly repaired immediately by our customer service department or by service partners authorized by us.

Preparation



Observe the instructions in the section entitled „Safety“.

The device must be in an upright position.

If filling the tank from a water line, ensure that the line or a hose does not project into the tank.

1. Pull up the red button on the safety valve [12] until all excess pressure is released from the tank. (Fig. 5).
2. Press the pump handle [13] down and turn it counterclockwise.
 - ▶ The pump handle is locked in place. (Fig. 6).
3. Unscrew the pump [2] from the tank [1]. (Fig. 7).
 - ☞ *To ensure the pump remains clean during storage, we recommend you attach the pump to the pump holder [8]. (Fig. 8).*
 - ☞ *We recommend you mix the spraying liquid in the device or premix it in an external tank: Fill to 1/3 with water, pour in the spraying agent, and then add more water until full.*
4. Add the spraying liquid to the tank [1] (Fig. 8).
5. Screw the pump [2] into the tank [1]. (Fig. 9).
6. Swivel in the pump holder [8]. (Fig. 9).

Without compressed-air filling valve

7. Press the pump handle [13] down and turn it clockwise.
 - ▶ The pump handle is unlocked. (Fig. 10).
8. Generate the required pressure (→ Table 2) in the tank [1] (Fig. 11).
 - ☞ *The maximum pressure should not exceed 6 bar (red line on the pressure gauge [16], Fig. 11). If the maximum pressure is exceeded, the safety valve will engage and release the excess pressure*
9. Press the pump handle [13] down and turn it counterclockwise.
 - ▶ The pump handle is locked in place. (Fig. 6).

With compressed-air filling valve (option)

7. Connect the compressed-air hose [17] to the compressed-air filling valve [18]. (Fig. 12).
 - ▶ Pressure is built up max. 6 bar (88 psi)



Ensure that the initial pressure is not higher than 15 bar (218 psi).

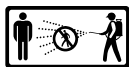
8. When the required pressure has built up, remove the compressed-air hose [17].

Spraying



Observe the instructions in the section entitled "Safety".
Operate the device only while it is vertical or suspended upright and nearly vertical.
Avoid allowing drops of spray to drift onto areas that are not being treated.
Observe the instructions of the spray product manufacturer!

1. Suspend the device from your shoulder or place it on your back. (Fig. 13)



To prevent dripping, hold the spray wand up when first spraying and activate the shut-off valve until no more liquid mixed with air is emerging from the nozzle.

2. If required, reset the lock [40] and activate the shut-off valve [9]. (Fig. 14)
 - Spraying may now begin.
3. Make certain the optimum spraying pressure is set (→ Table 2) on the pressure gauge [16] (Fig. 11).

Spraying rate	flat jet nozzle		hollow cone nozzle
	80-01	80-02	1,1 mm
1.5 bar (21.8 psi)	0,29 l/min	0,56 l/min	0,48 l/min
2.0 bar (29.0 psi)	0,32 l/min	0,64 l/min	0,56 l/min
3.0 bar (43.5 psi)	0,39 l/min	0,78 l/min	0,69 l/min

Table 2. Dependence: Spraying rate – spraying pressure

4. If the spraying pressure decreases more than 0.5 bar (7.3 psi) from the optimum level, pump some more.

 If liquid mixed with air emerges from the nozzle, the tank is empty.

After Usage



Observe the instructions in the section entitled "Safety".
Never leave liquid in the device.

1. Pull up the red button on the safety valve [12] until all excess pressure is released from the tank. (Fig. 5).
2. Lock the pump handle in place [13]. (Fig. 6).
3. Unscrew the pump [2] from the tank [1]. (Fig. 7).



Collect and dispose of the residual liquid and the tank according to all applicable laws, requirements and regulations.
Follow the instructions of the spray product manufacturer!

4. Empty and rinse the device with clear water.
5. Wipe off the device with a moist cloth.
6. For drying and storing the device, keep the tank and pump separate in a dry place protected from sunlight and freezing temperatures.



Clean the protective equipment and yourself every time after usage.

Care and maintenance



Observe the instructions in the section entitled "Safety".

After using the device 50 times or at least once a year:

- Unscrew the pump [2] from the tank. (Fig. 7)
- Dismantle the pump [2]. (Fig. 17)
- Grease the O-ring [19] and the sleeve [20]. (Fig. 18)
- Assemble the pump.
- Lock the piston rod with handle [13] and screw the pump [2] into the tank [1].
- Clean the nozzle [21] under running water. (Fig. 22)
- Unscrew the handgrip [41] from the shut-off valve [9].
- Remove the filter [22] and clean it under running water. (Fig. 24)
- Disassemble the shut-off valve [9]. (Fig. 28)
 - a) Loosen the four screws and pull the half shells [42] apart.
 - b) Screw the sealing cap [45] from the valve body [44] and pull the pressure bolt [25] from the valve body [44]. (Fig. 29)
- Grease the O-rings [24]. (Fig. 29)
- Assemble the shut-off valve [9].



Observe the legal requirements of your country for accident prevention and check the device in regular intervals.

Unless otherwise specified, we recommend that an expert carries out an external test every 2 years and an internal test every 5 years as well as a strength test every 10 years.

Faults



Use only original spare and accessory parts.

Fault	Cause	Remedy
No pressure builds up in the device	The pump is not screwed on tightly.	Screw the pump on tightly.
	O-ring [19] on the pump is faulty.	Replace the O-ring. (Fig. 19).
	Diaphragm [20] is defective.	Replace the diaphragm. (Fig. 19).
Liquid flows out of the pump.	Valve disk [23] dirty or defective.	Clean or replace the valve disk. (Fig. 21).
The nozzle does not spray even though pressure is present.	Filter [22] and / or nozzle [21] blocked.	Clean the filter or / and nozzle. (Fig. 22 + 24).
Safety valves blows off too early.	Safety valve [12] is defective.	Replace safety valve. (Fig. 26).
The shut-off valve does not close. Liquid emerges without the lever being activated.	O-ring [24] on the pressure bolt not greased. Defective pressure bolt [25] or O-ring [24].	Grease the O-ring of the pressure bolt. (Fig. 29). Replace the pressure bolt or O-ring. (Fig. 29).

Pressure gage is not indicating any tank pressure.	Pressure gage [16] defective.	Sever attachments (at top, at bottom, on right) [26]. Open panel [27], unscrew pressure gage [16] with wrench and replace. Insert fixing knob [28], push to the right and insert panel [27]. (Fig. 30).
--	-------------------------------	--

Contact address for additional information → see title page.

Warranty

We guarantee that from the time it is first purchased for a period of the legally valid required warranty period (maximum 3 years) this device will not exhibit any material or processing errors. If defects are discovered during the warranty period, the manufacturer or the distributor in your country will repair the device without charging for the labor or material or (at the discretion of the manufacturer) replace the device itself or its defective parts. If such defects are discovered, please contact us immediately. We require the invoice or cash register receipt for purchase of the device. The warranty does not include wearing parts (seals, O-rings, diaphragm, etc.) or defects, which have occurred due to improper use or unforeseeable circumstances.

Declaration of Conformity

according to EC Machinery Directive 2006/42/EC, Appendix II, No. 1A.

We, MESTO Spritzenfabrik Ernst Stockburger GmbH, Ludwigsburger Straße 71, D-71691 Freiberg,

declare under our sole responsibility that the products pressure spraying devices 3565, 3585 and 3595, 3615 in the version supplied comply with all relevant provisions of the Directive 2006/42/EC.

Furthermore, the device complies with the Directive 2014/68/EU for pressure equipment.

Rolf Rehkugler is authorized to compile the technical documentation.

Freiberg, 22.04.2016



Bernd Stockburger – Managing Director –

The data and illustrations in these instructions for use are for orientation only and not binding in any way. The manufacturer reserves the right to make changes or improvements to the products if these are considered appropriate without having to notify customers owning a similar model about this fact.