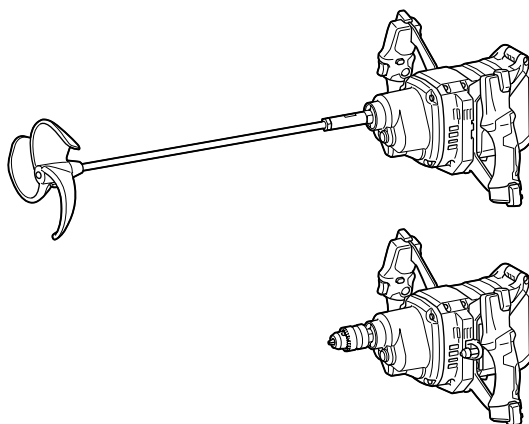




EN	Cordless Mixer	INSTRUCTION MANUAL	6
FR	Malaxeur sans fil	MANUEL D'INSTRUCTIONS	13
DE	Akku-Rührwerk	BETRIEBSANLEITUNG	21
IT	Miscelatore a batteria	ISTRUZIONI PER L'USO	29
NL	Accumenger	GEBRUIKSAANWIJZING	37
ES	Mezclador Inalámbrico	MANUAL DE INSTRUCCIONES	45
PT	Misturador a Bateria	MANUAL DE INSTRUÇÕES	53
DA	Akku blandemaskine	BRUGSANVISNING	61
EL	Φορητός αναδευτήρας	ΕΓΧΕΙΡΙΔΙΟ ΟΔΗΓΙΩΝ	68
TR	Akülü Mikser	KULLANMA KILAVUZU	76

UT001G
UT002G



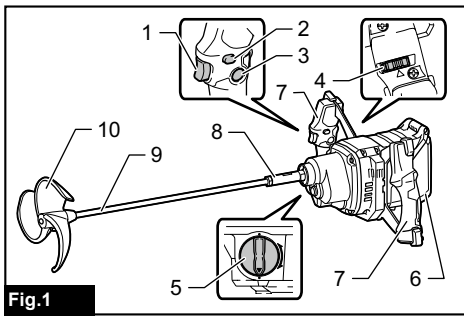


Fig.1

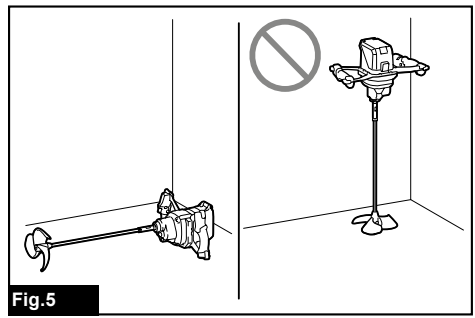


Fig.5

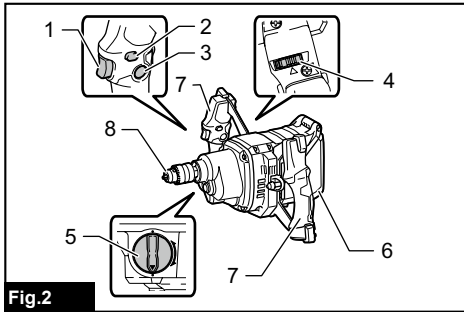


Fig.2

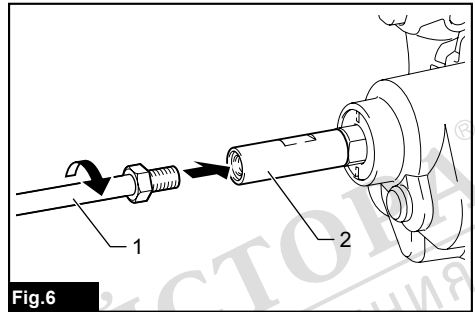


Fig.6

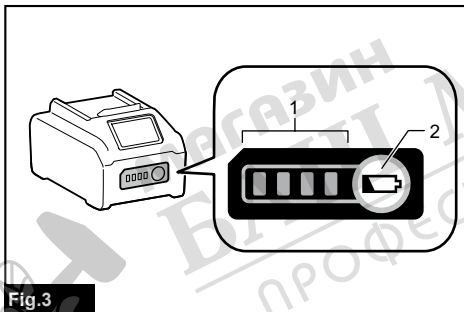


Fig.3

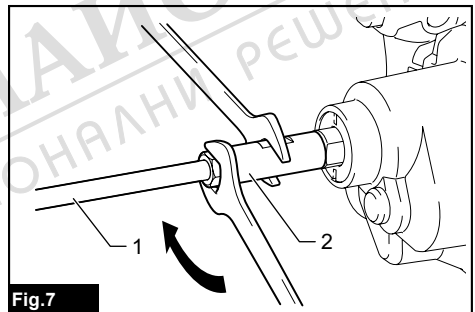


Fig.7

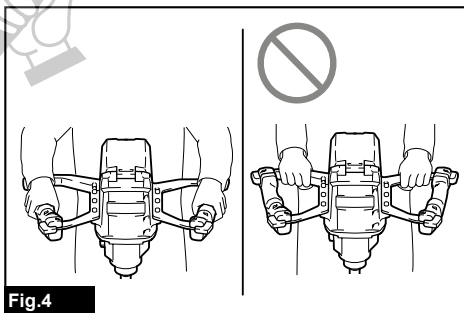


Fig.4

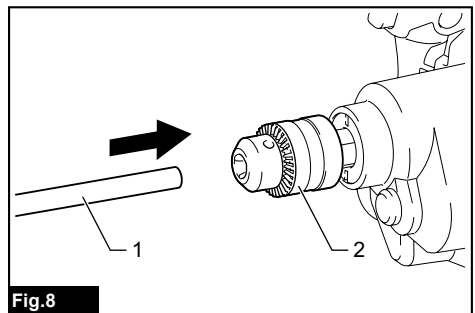
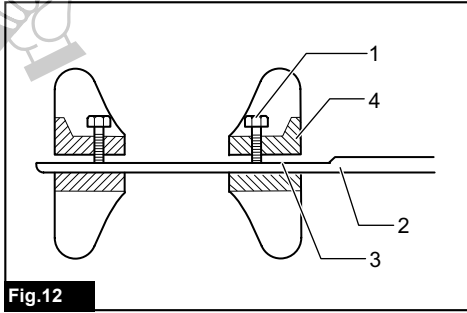
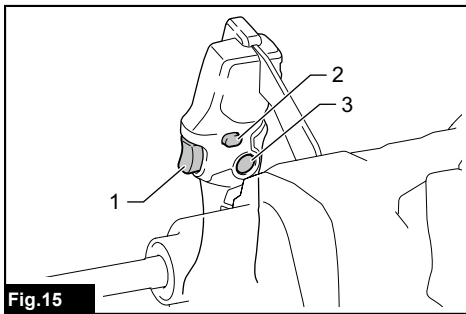
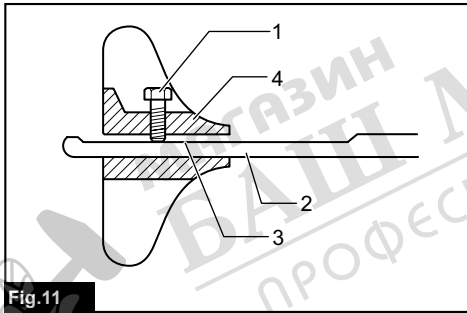
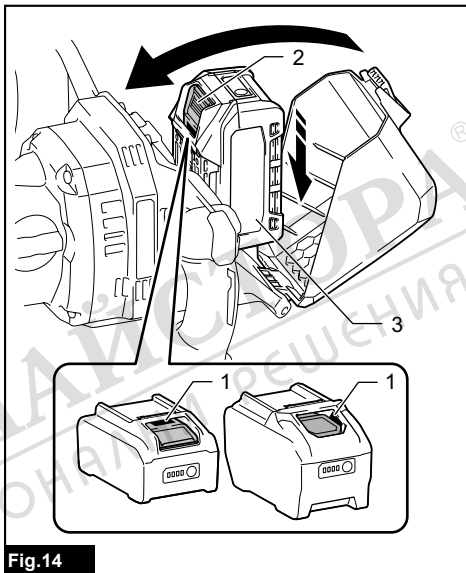
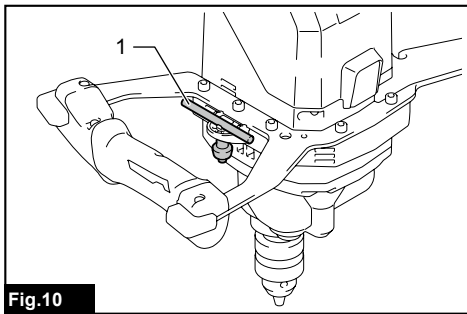
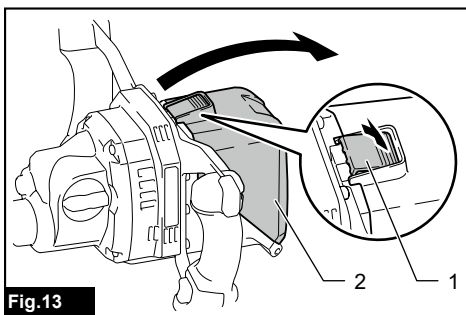
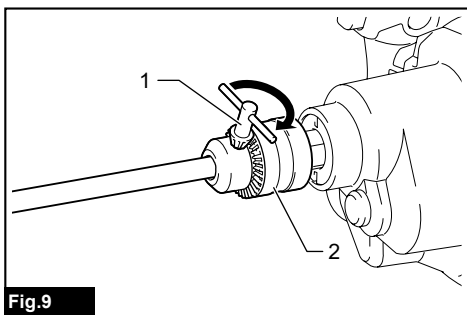


Fig.8



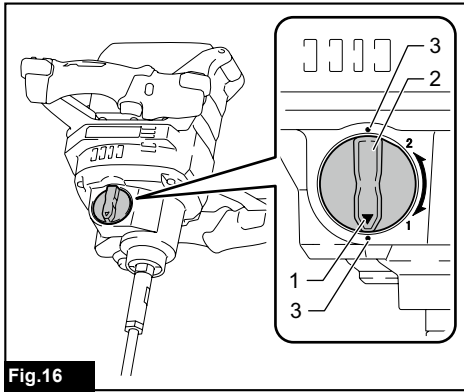


Fig.16

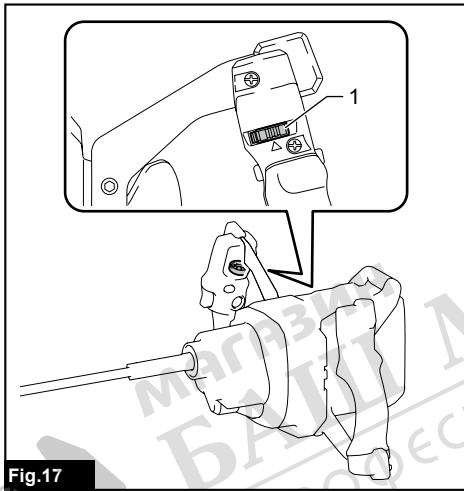


Fig.17

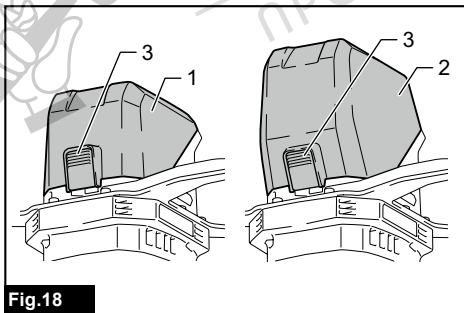


Fig.18

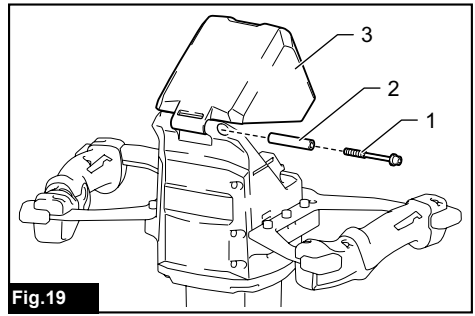


Fig.19

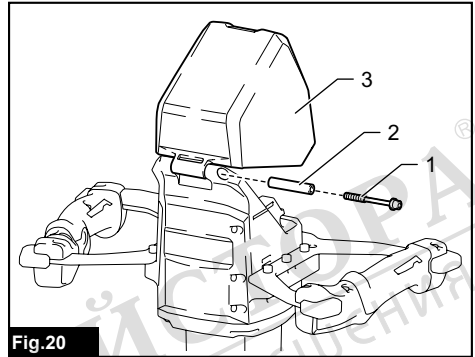


Fig.20

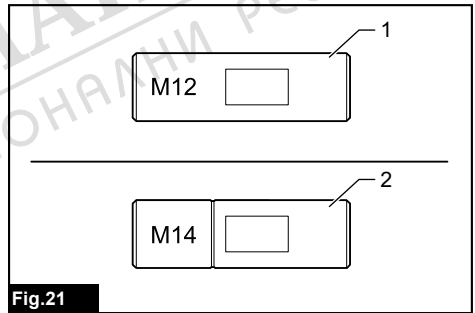


Fig.21

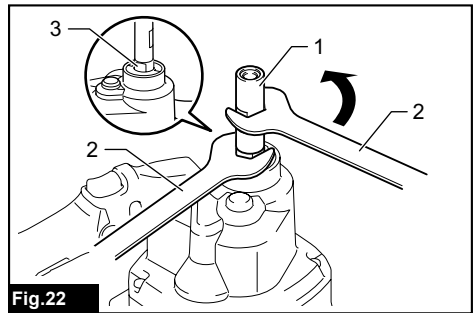
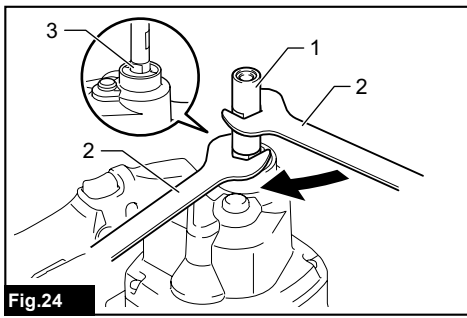
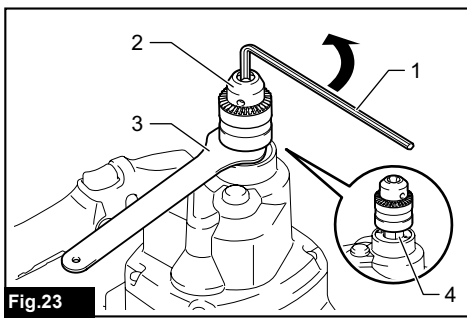


Fig.22



МАГАЗИН
БАШ МАЙСТОРА[®]
 ПРОФЕСИОНАЛНИ РЕШЕНИЯ

SPECIFICATIONS

Model:		UT001G	UT002G
No load speed	High speed mode	0 - 920 min ⁻¹	
	Low speed mode	0 - 500 min ⁻¹	
Maximum mixing blade diameter		240 mm	
Overall length (without shaft and mixing blade)	with battery cover S	373 mm	363 mm
	with battery cover L	412 mm	403 mm
Rated voltage		D.C. 36 V - 40 V max	
Net weight		5.7 - 7.0 kg	5.8 - 7.2 kg

- Due to our continuing program of research and development, the specifications herein are subject to change without notice.
- Specifications and battery cartridge may differ from country to country.
- The weight may differ depending on the attachment(s), including the battery cartridge. The lightest and heaviest combinations, according to EPTA-Procedure 01/2014, are shown in the table.

Applicable battery cartridge and charger





Battery cartridge	BL4020 / BL4025 / BL4040* / BL4050F* / BL4080F* * : Recommended battery
Charger	DC40RA / DC40RB / DC40RC

- Some of the battery cartridges and chargers listed above may not be available depending on your region of residence.

⚠ WARNING: Only use the battery cartridges and chargers listed above. Use of any other battery cartridges and chargers may cause injury and/or fire.

Symbols

The followings show the symbols which may be used for the equipment. Be sure that you understand their meaning before use.

	Read instruction manual.
	Do not use the tool in the rain.
	Do not clean the tool with water.
	<p>Only for EU countries Due to the presence of hazardous components in the equipment, waste electrical and electronic equipment, accumulators and batteries may have a negative impact on the environment and human health. Do not dispose of electrical and electronic appliances or batteries with household waste! In accordance with the European Directive on waste electrical and electronic equipment and on accumulators and batteries and waste accumulators and batteries, as well as their adaptation to national law, waste electrical equipment, batteries and accumulators should be stored separately and delivered to a separate collection point for municipal waste, operating in accordance with the regulations on environmental protection. This is indicated by the symbol of the crossed-out wheeled bin placed on the equipment.</p>

Intended use

The tool is intended for mixing wall materials, etc. (except flammable materials).

Noise

The typical A-weighted noise level determined according to EN62841-2-10:

Model UT001G
 Sound pressure level (L_{pA}) : 81 dB (A)
 Sound power level (L_{WA}) : 92 dB (A)
 Uncertainty (K) : 3 dB (A)

Model UT002G
 Sound pressure level (L_{pA}) : 81 dB (A)
 Sound power level (L_{WA}) : 92 dB (A)
 Uncertainty (K) : 3 dB (A)

NOTE: The declared noise emission value(s) has been measured in accordance with a standard test method and may be used for comparing one tool with another.

NOTE: The declared noise emission value(s) may also be used in a preliminary assessment of exposure.

⚠ WARNING: Wear ear protection.

⚠ WARNING: The noise emission during actual use of the power tool can differ from the declared value(s) depending on the ways in which the tool is used especially what kind of workpiece is processed.

⚠ WARNING: Be sure to identify safety measures to protect the operator that are based on an estimation of exposure in the actual conditions of use (taking account of all parts of the operating cycle such as the times when the tool is switched off and when it is running idle in addition to the trigger time).

Vibration

The vibration total value (tri-axial vector sum) determined according to EN62841-2-10:

Model UT001G

Work mode: operation without load
Vibration emission (a_{rh}): 2.5 m/s² or less
Uncertainty (K): 1.5 m/s²

Model UT002G

Work mode: operation without load
Vibration emission (a_{rh}): 2.5 m/s² or less
Uncertainty (K): 1.5 m/s²

NOTE: The declared vibration total value(s) has been measured in accordance with a standard test method and may be used for comparing one tool with another.

NOTE: The declared vibration total value(s) may also be used in a preliminary assessment of exposure.

⚠ WARNING: The vibration emission during actual use of the power tool can differ from the declared value(s) depending on the ways in which the tool is used especially what kind of workpiece is processed.

⚠ WARNING: Be sure to identify safety measures to protect the operator that are based on an estimation of exposure in the actual conditions of use (taking account of all parts of the operating cycle such as the times when the tool is switched off and when it is running idle in addition to the trigger time).

EC Declaration of Conformity

For European countries only

The EC declaration of conformity is included as Annex A to this instruction manual.

SAFETY WARNINGS

General power tool safety warnings

⚠ WARNING: Read all safety warnings, instructions, illustrations and specifications provided with this power tool. Failure to follow all instructions listed below may result in electric shock, fire and/or serious injury.

Save all warnings and instructions for future reference.

The term "power tool" in the warnings refers to your mains-operated (corded) power tool or battery-operated (cordless) power tool.

Cordless mixer safety warnings

1. **Hold the tool with both hands at the intended handles.** Loss of control can cause personal injury.
2. **Ensure sufficient ventilation when mixing flammable materials to avoid a hazardous atmosphere.** Developing vapour may be inhaled or be ignited by the sparks the power tool produces.
3. **Do not mix food.** Power tools and their accessories are not designed for processing food.
4. **Ensure that the mixing container is placed in a firm and secure position.** A container that is not properly secured may move unexpectedly.
5. **Follow the instructions and warnings for the material to be mixed.** Material to be mixed may be harmful.
6. **Do not reach into the mixing container with your hands or insert any other objects into it while mixing.** Contact with the mixer blade may lead to serious personal injury.
7. **Start up and run down the tool in the mixing container only.** The mixer blade may bend or spin in an uncontrolled manner.
8. **Ensure that no liquid splashes against the housing of the power tool.** Liquid that has penetrated the power tool can cause damage to the tool.
9. **Use auxiliary handles, if supplied with the tool.** Loss of control may cause personal injury.
10. **Hold power tool by insulated gripping surfaces, when performing an operation where the cutting accessory may contact hidden wiring.** Cutting accessory contacting a "live" wire may make exposed metal parts of the power tool "live" and could give the operator an electric shock.
11. **Always be sure you have a firm footing. Be sure no one is below when using the tool in high locations.**
12. **Hold the tool firmly.**
13. **Keep hands away from rotating parts.**
14. **Do not leave the tool running. Operate the tool only when you are holding it.**
15. **Some materials contain chemicals which may be toxic. Take caution to prevent dust inhalation and skin contact. Follow safety warnings by supplier of the material.**

16. When performing the mixing operation, place the mixing container on a flat and stable surface.

SAVE THESE INSTRUCTIONS.

⚠WARNING: DO NOT let comfort or familiarity with product (gained from repeated use) replace strict adherence to safety rules for the subject product. MISUSE or failure to follow the safety rules stated in this instruction manual may cause serious personal injury.

Important safety instructions for battery cartridge

1. Before using battery cartridge, read all instructions and cautionary markings on (1) battery charger, (2) battery, and (3) product using battery.
2. Do not disassemble or tamper with the battery cartridge. It may result in a fire, excessive heat, or explosion.
3. If operating time has become excessively shorter, stop operating immediately. It may result in a risk of overheating, possible burns and even an explosion.
4. If electrolyte gets into your eyes, rinse them out with clear water and seek medical attention right away. It may result in loss of your eyesight.
5. Do not short the battery cartridge:
 - (1) Do not touch the terminals with any conductive material.
 - (2) Avoid storing battery cartridge in a container with other metal objects such as nails, coins, etc.
 - (3) Do not expose battery cartridge to water or rain.

A battery short can cause a large current flow, overheating, possible burns and even a breakdown.

6. Do not store and use the tool and battery cartridge in locations where the temperature may reach or exceed 50 °C (122 °F).
7. Do not incinerate the battery cartridge even if it is severely damaged or is completely worn out. The battery cartridge can explode in a fire.
8. Do not nail, cut, crush, throw, drop the battery cartridge, or hit against a hard object to the battery cartridge. Such conduct may result in a fire, excessive heat, or explosion.
9. Do not use a damaged battery.
10. The contained lithium-ion batteries are subject to the Dangerous Goods Legislation requirements.

For commercial transports e.g. by third parties, forwarding agents, special requirement on packaging and labeling must be observed.

For preparation of the item being shipped, consulting an expert for hazardous material is required. Please also observe possibly more detailed national regulations.

Tape or mask off open contacts and pack up the battery in such a manner that it cannot move around in the packaging.

11. When disposing the battery cartridge, remove it from the tool and dispose of it in a safe place. Follow your local regulations relating to disposal of battery.
12. Use the batteries only with the products specified by Makita. Installing the batteries to non-compliant products may result in a fire, excessive heat, explosion, or leak of electrolyte.
13. If the tool is not used for a long period of time, the battery must be removed from the tool.
14. During and after use, the battery cartridge may take on heat which can cause burns or low temperature burns. Pay attention to the handling of hot battery cartridges.
15. Do not touch the terminal of the tool immediately after use as it may get hot enough to cause burns.
16. Do not allow chips, dust, or soil stuck into the terminals, holes, and grooves of the battery cartridge. It may cause heating, catching fire, burst and malfunction of the tool or battery cartridge, resulting in burns or personal injury.
17. Unless the tool supports the use near high-voltage electrical power lines, do not use the battery cartridge near a high-voltage electrical power lines. It may result in a malfunction or breakdown of the tool or battery cartridge.
18. Keep the battery away from children.

SAVE THESE INSTRUCTIONS.

⚠CAUTION: Only use genuine Makita batteries. Use of non-genuine Makita batteries, or batteries that have been altered, may result in the battery bursting causing fires, personal injury and damage. It will also void the Makita warranty for the Makita tool and charger.

Tips for maintaining maximum battery life

1. Charge the battery cartridge before completely discharged. Always stop tool operation and charge the battery cartridge when you notice less tool power.
2. Never recharge a fully charged battery cartridge. Overcharging shortens the battery service life.
3. Charge the battery cartridge with room temperature at 10 °C - 40 °C (50 °F - 104 °F). Let a hot battery cartridge cool down before charging it.
4. When not using the battery cartridge, remove it from the tool or the charger.
5. Charge the battery cartridge if you do not use it for a long period (more than six months).

PARTS DESCRIPTION

Model UT001G

► Fig.1

1	Switch trigger	2	Lock-off button
3	Lock button	4	Speed adjusting dial
5	Speed change knob	6	Battery cover
7	Handle	8	Shaft holder
9	Shaft	10	Mixing blade

Model UT002G

► Fig.2

1	Switch trigger	2	Lock-off button
3	Lock button	4	Speed adjusting dial
5	Speed change knob	6	Battery cover
7	Handle	8	Chuck

PREPARATION BEFORE USE

Indicating the remaining battery capacity

Press the check button on the battery cartridge to indicate the remaining battery capacity. The indicator lamps light up for a few seconds.

► Fig.3: 1. Indicator lamps 2. Check button

Indicator lamps			Remaining capacity
Lighted	Off	Blinking	
■ ■ ■ ■	□ □ □ □	▬	75% to 100%
■ ■ ■ □	□ □ □ □	▬	50% to 75%
■ ■ □ □	□ □ □ □	▬	25% to 50%
■ □ □ □	□ □ □ □	▬	0% to 25%
▬ □ □ □	□ □ □ □	▬	Charge the battery.
■ ■ □ □	□ □ □ □	▬	The battery may have malfunctioned.
□ □ ■ ■	□ □ □ □	▬	

NOTE: Depending on the conditions of use and the ambient temperature, the indication may differ slightly from the actual capacity.

NOTE: The first (far left) indicator lamp will blink when the battery protection system works.

Things you need to know before use

Hold the handle when using or carrying the tool.

► Fig.4

CAUTION: Do not hold the sheet metal part. Sharp areas may cause injury.

Tool / battery protection system

The tool is equipped with a tool/battery protection system. This system automatically cuts off power to the motor to extend tool and battery life. The tool will automatically stop during operation if the tool or battery is placed under one of the following conditions:

Overload protection

When the tool/battery is operated in a manner that causes it to draw an abnormally high current, the tool automatically stops. In this situation, turn the tool off and stop the application that caused the tool to become overloaded. Then turn the tool on to restart.

Overheat protection

When the tool/battery is overheated, the tool stops automatically. In this situation, let the tool/battery cool before turning the tool on again.

Overdischarge protection

When the battery capacity becomes low, the tool stops automatically. If the product does not operate even when the switches are operated, remove the batteries from the tool and charge the batteries.

HOW TO USE

CAUTION: Always be sure that the tool is switched off and the battery cartridge is removed before carrying out any work on the tool.

NOTICE: When you are not working, lay the machine down and store it.

► Fig.5

Assembly

Installing the shaft

Optional accessory

For UT001G

1. Tighten the shaft into the shaft holder.
► Fig.6: 1. Shaft 2. Shaft holder
2. Hold the flats on the shaft holder with wrench 19 so that the shaft holder cannot revolve. With the flats held so, tighten the hex nut with another wrench 19 in the direction of arrow.
► Fig.7: 1. Shaft 2. Shaft holder

For UT002G

1. Insert the shaft into the chuck as far as it will go.
► **Fig.8:** 1. Shaft 2. Chuck
2. Tighten the chuck by hand, and then place the chuck key in each of three holes and tighten it clockwise. Be sure to tighten the chuck key at all three holes evenly.
► **Fig.9:** 1. Chuck key 2. Chuck
3. To remove the shaft, turn the chuck key counterclockwise at one of the holes, and then loosen the chuck by hand.
4. When not in use, store the chuck key as shown in the figure to keep it from being lost.
► **Fig.10:** 1. Chuck key

Installing the mixing blade

Optional accessory

Insert the mixing blade into the shaft and secure it with the hex bolt. At this time, position it so that the top end of the hex bolt always fits to the flat surface on the shaft and tighten the hex bolt with the provided wrench.

- **Fig.11:** 1. Hex bolt 2. Shaft 3. Flat surface 4. Mixing blade

When installing the mixing blades at two different positions, mount and secure the two mixing blades on the flat part of the shaft with the hex bolts so that the same surface of the mixing blades faces each other as shown in the figure.

- **Fig.12:** 1. Hex bolt 2. Shaft 3. Flat surface 4. Mixing blade

NOTE: Ask your local Makita Service Center about which mixing blades are allowed.

Installing or removing battery cartridge

CAUTION: Always switch off the tool before installing or removing of the battery cartridge.

CAUTION: Hold the tool and the battery cartridge firmly when installing or removing battery cartridge. Failure to hold the tool and the battery cartridge firmly may cause them to slip off your hands and result in damage to the tool and battery cartridge and a personal injury.

CAUTION: Do not use this tool with the battery adapter. If you connect the battery adapter to the tool, the battery cover cannot be closed, and using the tool with battery cover opened may cause an injury.

CAUTION: Be careful not to pinch your fingers when opening or closing the battery cover.

NOTICE: Install a battery cover that matches the size of the battery.

Open the battery cover while pressing the button on the battery cover.

- **Fig.13:** 1. Button 2. Battery cover

To remove the battery cartridge, slide it from the tool while sliding the button on the front of the cartridge.

- **Fig.14:** 1. Red indicator 2. Button 3. Battery cartridge

To install the battery cartridge, align the tongue on the battery cartridge with the groove in the housing and slip it into place. Insert it all the way until it locks in place with a little click. If you can see the red indicator as shown in the figure, it is not locked completely.

After installing the battery cartridge, close the battery cover securely.

CAUTION: Always install the battery cartridge fully until the red indicator cannot be seen. If not, it may accidentally fall out of the tool, causing injury to you or someone around you.

CAUTION: Do not install the battery cartridge forcibly. If the cartridge does not slide in easily, it is not being inserted correctly.

Switch action

WARNING: Before installing the battery cartridge into the tool, always make sure that the switch trigger actuates properly and returns to the "OFF" position by fully pulling and releasing it.

WARNING: NEVER defeat the lock-off button by taping down or some other means. A switch with a negated lock-off button may result in unintentional operation and serious personal injury.

WARNING: NEVER use the tool if it runs when you simply pull the switch trigger without pressing the lock-off button. A switch in need of repair may result in unintentional operation and serious personal injury. Return tool to a Makita service center for proper repairs BEFORE further usage.

WARNING: Do not install the battery cartridge with the lock button engaged.

To prevent the switch trigger from being accidentally pulled, a lock-off button is provided. To start the tool, depress the lock-off button and pull the switch trigger. Tool speed is increased by increasing pressure on the switch trigger. Release the switch trigger to stop. For continuous operation, depress the lock button while pulling the switch trigger, and then release the switch trigger. To stop the tool, pull the switch trigger fully, then release it.

- **Fig.15:** 1. Switch trigger 2. Lock-off button 3. Lock button

Operation of speed change knob

NOTICE: Use the speed change knob only after the tool comes to a complete stop. Changing the tool speed mode before the tool stops may damage the tool.

NOTICE: Always set the speed change knob carefully into the correct position. If you operate the tool with the speed change knob positioned halfway between the position 1 and the position 2, the tool may be damaged.

NOTICE: If the rotation speed significantly decreases during operation in the high speed mode, stop the tool and change the mode to the low speed mode. Otherwise, the motor may get overloaded and cause a malfunction or fire.

Two speed ranges can be preselected with the speed change knob.

Select the proper speed mode for the material to be mixed.

To change the speed mode, turn the speed change knob so that the pointer points to the dot at position 1 for low speed mode or the dot at position 2 for high speed mode.

► **Fig.16:** 1. Pointer 2. Speed change knob 3. Dot

Operation of speed adjusting dial

The tool speed can be adjusted steplessly by turning the speed adjusting dial. The no load speed when the switch trigger is fully pulled can be adjusted 270 min^{-1} to 500 min^{-1} at low speed mode, 500 min^{-1} to 920 min^{-1} at high speed mode. Higher speed is obtained when the dial is turned in the direction of number 5; lower speed is obtained when it is turned in the direction of number 1.

Select the proper speed for the material to be mixed.

► **Fig.17:** 1. Speed adjusting dial

NOTICE: The speed adjusting dial can be turned only as far as 5 and back to 1. Do not force it past 5 or 1.

Accidental restart preventive function

If you install the battery cartridge while pulling the switch trigger or locking the switch trigger, the tool does not start. To start the tool, release the switch trigger, and then pull the switch trigger.

Electronic function

The tool is equipped with the following electronic function for easy operation.

Soft start

The soft-start function minimizes start-up shock, and makes the tool start smoothly.

Basic operations

CAUTION: Do not mix flammable materials or operate the tool around flammable materials such as paint with thinner used as solvent. Failure to do so may cause an injury.

CAUTION: Do not mix high viscosity material in the high speed mode. You may lose the control of the tool and cause an injury.

CAUTION: Do not rotate the mixing blade outside the stirring vessel.

CAUTION: If you hear an abnormal noise during use, turn off the switch and stop using the tool.

NOTICE: When you mix the material while the mixing blade floating out of the material, be careful not to splash the material.

NOTICE: Do not use the tool for any purpose other than stirring mortar, concrete, etc.

1. Select high speed mode or low speed mode according to the material to be mixed.
2. Hold the tool firmly with both hands. Place the mixing blade under material fully. Check that the material is not solidified and the safety of the work site, then turn on the tool.
3. Move the mixing blade up and down during the mixing operation so that whole part of material can be mixed.
4. When finishing mixing, turn off the tool. Make sure that the mixing blade has come to a complete stop, and then pull it out of the mixing container.

Applied operations

CAUTION: Always be sure that the tool is switched off and the battery cartridge is removed before adjusting or checking function on the tool.

Replacing battery cover

Optional accessory

Install one of the battery covers to fit the size of your battery cartridge.

► **Fig.18:** 1. Battery cover S 2. Battery cover L 3. Button

1. Open the standard equipped battery cover while pressing the button on the battery cover.
2. Loosen the screw securing the standard equipped battery cover. Then remove the screw, sleeve and the battery cover.

► **Fig.19:** 1. Screw 2. Sleeve 3. Battery cover (standard equipped)

NOTE: The sleeve may remain in the mounting holes. In that case, pull it out using a screw or the like.

3. Align the mounting hole on the optional battery cover with the mounting holes on the housing. Insert the sleeve. Then tighten the screws to secure it in place.

► **Fig.20:** 1. Screw 2. Sleeve 3. Battery cover (optional)

4. Close the battery cover securely.

Installing or removing the shaft holder

country specific

For UT001G

Install one of the shaft holders optionally available to fit your screw size of the shaft.

► **Fig.21:** 1. M12 shaft holder 2. M14 shaft holder

While holding the spindle with a wrench, loosen the shaft holder with another wrench.

► **Fig.22:** 1. Shaft holder 2. Wrench 3. Spindle

To install the shaft holder, perform the removal procedure in reverse.

For UT002G

1. Insert the hex wrench into the chuck, and then loosen the chuck with the hex wrench while holding the spindle with the wrench.

► **Fig.23:** 1. Hex wrench 2. Chuck 3. Wrench
4. Spindle

2. Tighten the shaft holder with a wrench while holding the spindle with another wrench.

► **Fig.24:** 1. Shaft holder 2. Wrench 3. Spindle

Handling after use

Use a wet cloth or the like to carefully wipe off the material left on the tool after use. Extra care should be given to thorough cleaning of the vents, switch area, cover openings, etc.

NOTICE: Avoid cleaning the tool in water. Water will get into the motor housing and cause motor failure.

MAINTENANCE

CAUTION: Always be sure that the tool is switched off and the battery cartridge is removed before attempting to perform inspection or maintenance.

NOTICE: Never use gasoline, benzine, thinner, alcohol or the like. Discoloration, deformation or cracks may result.

To maintain product SAFETY and RELIABILITY, repairs, any other maintenance or adjustment should be performed by Makita Authorized or Factory Service Centers, always using Makita replacement parts.

Troubleshooting

Before asking for repairs, check the following points.

1. Turn the tool off, and then turn it on again to restart.
2. Charge the battery(ies) or replace it/them with recharged battery(ies).
3. Let the tool and battery(ies) cool down.

If no improvement can be found by restoring protection system, then contact your local Makita Service Center.

OPTIONAL ACCESSORIES

CAUTION: These accessories or attachments are recommended for use with your Makita tool specified in this manual. The use of any other accessories or attachments might present a risk of injury to persons. Only use accessory or attachment for its stated purpose.

If you need any assistance for more details regarding these accessories, ask your local Makita Service Center.

- Mixing blade
- Shaft
- Battery cover
- Makita genuine battery and charger

NOTE: Some items in the list may be included in the tool package as standard accessories. They may differ from country to country.