

40V Max LED Rotating Flashlight



HEAVY DUTY BRUSHLESS

ML006G



МАГАЗИН
БАТІШ
ПРОФЕСІОНАЛНИ



40V Max LED Rotating Flashlight

The 40V Max XGT LED Rotating Flashlight (ML006G) provides ultra-bright illumination, versatility, and convenience. At full brightness, it provides 500 lumens of light. The 3-stage brightness adjustment also provides a “half-brightness” setting at 250 lumens and low 100 lumens.

When using the 40V Max XGT 4.0Ah battery (sold separately), the flashlight delivers 20 hours of continuous illumination on a single charge on the full brightness, and 82 hours on the low setting.

For added convenience, the flashlight head folds up and down and pivots left to right to deliver multiple lighting angles. A metal hang-hook swivels 360-degrees and folds away when not in use. The flashlight has a slim, compact design and weighs only 1.42kg. (with an 40V Max 4.0Ah XGT battery, sold separately).



Product Overview



HEAVY DUTY BRUSHLESS

Light diffusing lens

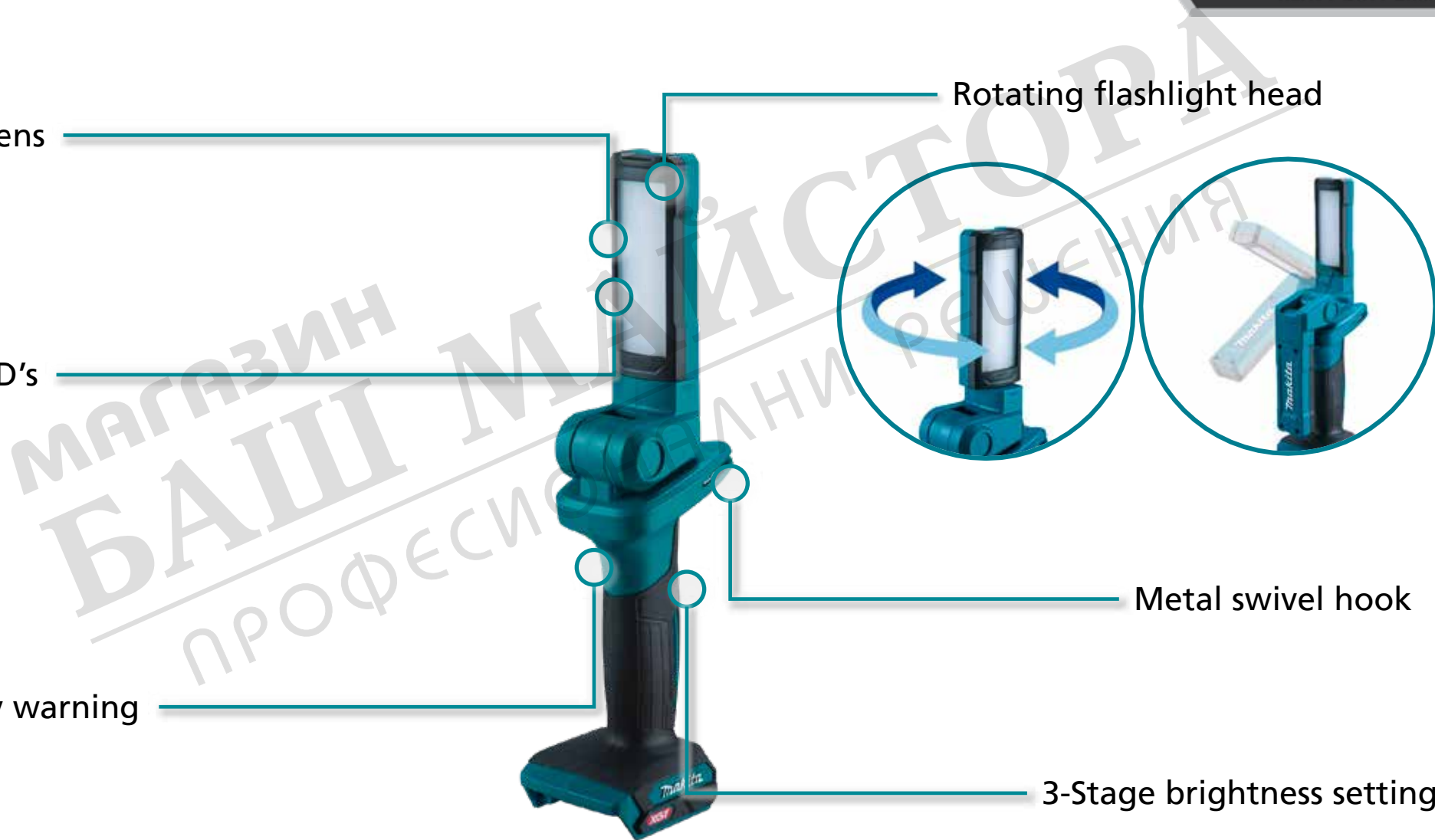
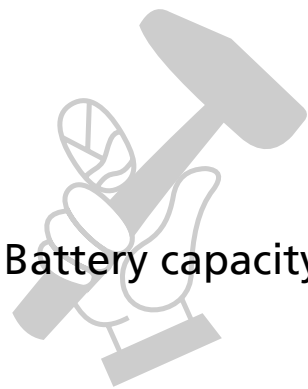
Bright white LED's

Rotating flashlight head

Metal swivel hook

Battery capacity warning

3-Stage brightness settings



МАГАЗИН
БАШ
ПРОФЕСИОНАЛНИ РЕШЕНИЯ

Product Specifications



HEAVY DUTY BRUSHLESS



Continuous runtime (4.0Ah)	High: 20 hours Med: 40 hours Low: 82 hours
Luminous flux	High: 500lm Med: 250lm Low: 100lm
Illuminance (at 50cm)	High: 800lx Med: 400lx Low: 180lx
Overall length	275mm
Skin weight	0.42kg
Weight (with battery)	1.42kg (BL4040)
Voltage	40V Max

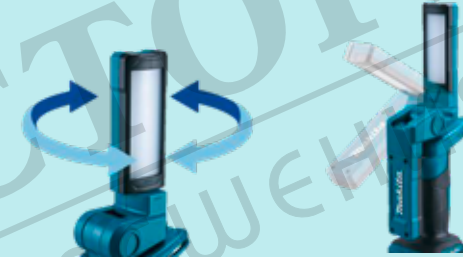
- **Light diffusing lens** – opaque lens softens the LED light to reduce glare, it also allows the light to be dispersed at a wider angle providing more widespread illumination.
- **Bright White LED's** – 18x LEDs are used, providing wide and bright illumination with a brightness of 500lm.
- **Battery capacity warning** – this system warns the users of low battery capacity by reducing the number of LEDs on to 1 before the battery goes entirely flat. This ensure the users isn't left in the dark without any notice.
- **Rotating flashlight head** – rotatable light head is able to rotate 90° right and 180° left. With the light head also able to fold 180° from directly upright to a down closed position.
- **Metal swivel hook** – A metal hang-hook has a large opening 50mm opening, swivels 360-degrees and folds away when not in use
- **3-Stage brightness settings** – each time the switch button is pressed the brightness setting will cycle through the various brightness settings High>Medium>Low>OFF

Illumination



18x LEDs provide wide and bright illumination of 500lm

Versatility



Rotating flashlight head

Control




3 stage brightness setting

Convenience



Metal hanging hook allows light to be suspended for hands free use

Standard Accessories

	<p>GM00001288</p>	<p>Shoulder hook set</p>
---	-------------------	--------------------------

Optional Accessories

	<p>BL4025 BL4040 BL4050F</p>	<p><u>40V Max XGT Batteries</u></p> <p>2.5Ah Battery 4.0Ah Battery 5.0Ah Battery</p>
	<p>DC40RA DC40RB</p>	<p><u>40V Max XGT Chargers</u></p> <p>Rapid Charger Dual Port Rapid Charger</p>
	<p>ADP10</p>	<p><u>18V LXT Battery Charging Adaptor</u></p> <p>Allows charging of 18V batteries on XGT chargers</p>



МАГАЗИН
БАШ МА
ПРОФЕССИОНАЛ
РЕШЕНИЯ