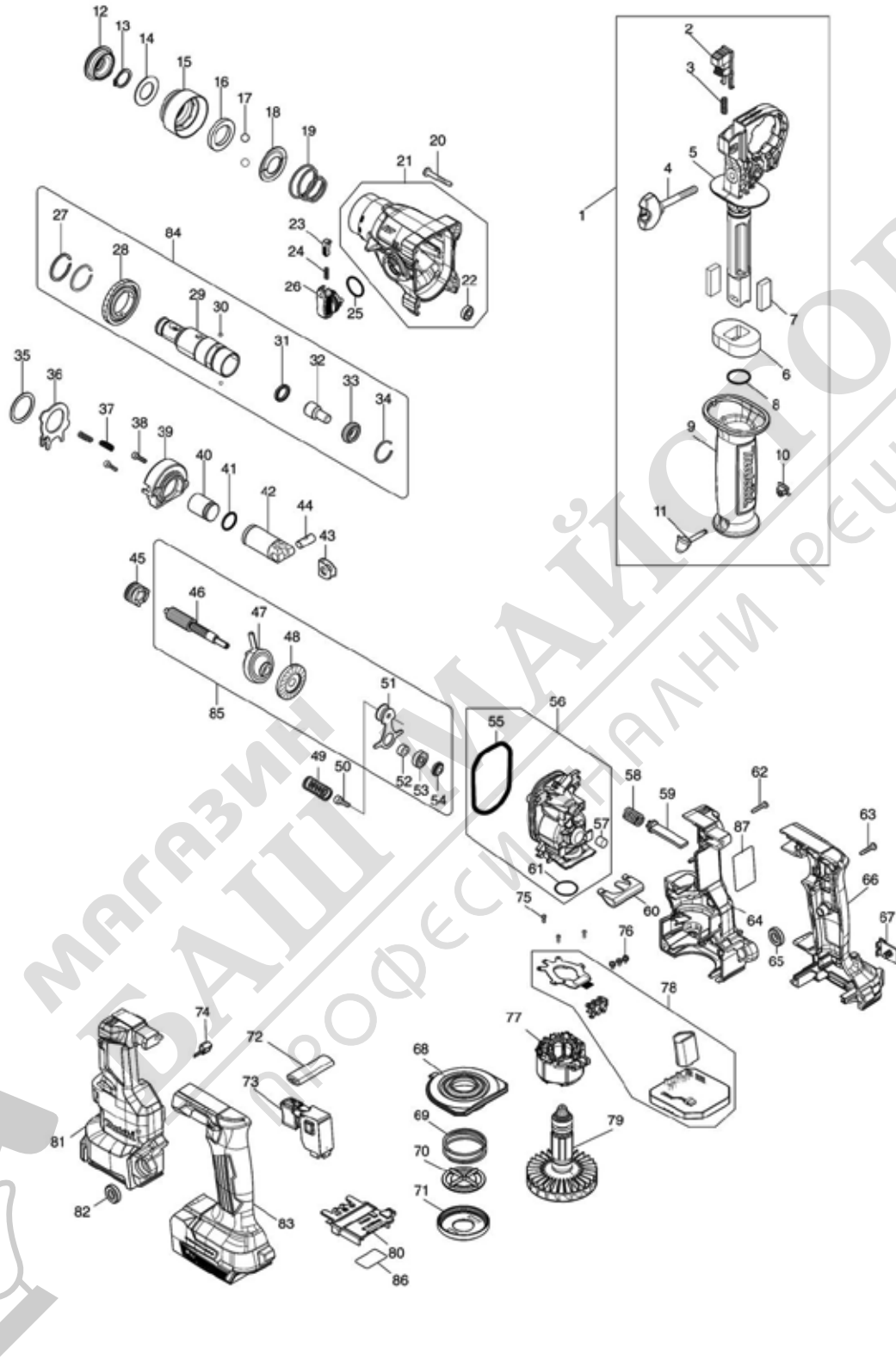


Partdrawing for DHR183Z - Boorhamer



Model No.DHR183 18MM CORDLESS ROTARY HAMMER



Nr.	Part nr.	Name
001	122D63-1	Handgreep assy
002	413N19-8	Vastzetknop DHR183
003	233360-7	Drukveer 4 Hr23/2600
004	265625-9	Vleugelbout M6x50mm
005	413N18-0	Handgreepbasis DHR183
006	422A19-9	Buffer A DHR183
007	422A20-4	Buffer B DHR183
008	213262-3	O-Ring 18
009	413N20-3	Greep 36mm DHR183
010	422255-1	Afdekkap handgrp DHR281/283
011	162C55-2	Borgpen DHR183
012	286037-3	Rubber Stofkap 34 Hr166D
013	961057-5	Borgring S-17
014	253377-4	Sluistring 17Mm DCU180 P
015	457214-6	Boorhouderkap Hr166D
016	257416-2	Ring 21 Hr166D
017	216022-2	Stalen Kogel 7.0 Hr2400
018	346177-0	Geleidering Hr2300
019	232347-6	Conische Drukveer 21-29 Hr166D
020	266050-7	Tapschroef Pt4X30 A
021	136955-4	Tandwielhuis DHR183
022	211157-4	Kogellager 695ZZ A
023	161568-2	Blokkeerknop Compleet Hr166D
024	232344-2	Drukveer 3 Hr166D
025	213278-8	O-Ring 17 Hr2440/50
026	161569-0	Verstelknop Hr166D
027	961135-1	Borgring Wr-25 Hr1830F P
028	227A13-4	Tandwiel 42 DHR183
029	327B25-4	Gereedschaphouder DHR183
030	216019-1	Stalen Kogel 3 P
031	213183-9	X-Ring 13 Hr1830F
032	326843-5	Slagstuk Hr166D
033	326842-7	Ring 10 Hr166D
034	232343-4	Borgring 23 Hr166D
035	267175-0	Platte Ring 24 Btd132
036	347B03-8	Schakelplaat DHR183
037	232802-8	Drukveer 4 DHR183
038	265910-0	Inbusbout M3X12Mm Jr100
039	141N19-5	Geleider DHR183
040	327007-4	Slaghamer Dhr171
041	213128-7	O-Ring 12 Hr2440/50
042	319510-9	Zuiger-Cilinder Hr166D
043	347B05-4	Geleidingsplaat DHR183
044	326846-9	Zuigerverbinding Hr166D
045	327B24-6	Koppeling DHR183
046	227A12-6	Tandwiel 9 DHR183

Nr.	Part nr.	Name
047	219033-6	Schommellager DHR183
048	227A14-2	Tandwiel 29mm DHR183
049	232801-0	Drukveer 10 DHR183
050	265353-6	Inbusbout M4X12Mm
051	141N20-0	Lagerborgring DHR183
052	257890-4	Ring 5mm DHR183
053	210065-6	KOGELLAGER 625ZZ P
054	326847-7	Ring 5 Hr166D
055	213A29-5	O-ring 55 DHR183
056	136961-9	Binnenhuis DHR183
057	443153-6	Dempingsvilt Hr2300
058	232782-8	Drukveer 8 DHR183
059	413N16-4	Drukpen DHR183
060	347A85-4	Borgring DHR183
061	213325-5	O-Ring 19
062	266130-9	Tapschroef 3X16 A
063	266130-9	Tapschroef 3X16 A
064	183X92-9	Behuizing DHR183
065	422A09-2	Stootring 8 DHR183
066	183X68-6	Handgreepset DHR183
066C10	263005-3	Rubber Pen 6 AC320H P
067	422A08-4	Afdekkap DHR183
068	413N60-1	Luchtinlaat DHR183
069	232796-7	Drukveer 37 DHR183
070	413N14-8	Klep DHR183
071	413N15-6	Afdekkap DHR183
072	454980-6	Schakelknop L/R Dhr264
073	650689-0	Schakelaar Bdf/Bhp459 P
074	620K85-2	Circuit led DHR183
075	266490-9	Parker Ck 2X6Mm DDF483 P
076	652069-6	Kruiskop Schroef M3X6
077	629C18-6	Veld DHR183
078	620L24-8	Controller DHR183
079	619816-8	Anker DHR183
080	643874-2	Aansluitunit Dhp483
081	183X92-9	Behuizing DHR183
082	422A09-2	Stootring 8 DHR183
083	183X68-6	Handgreepset DHR183
083C10	263005-3	Rubber Pen 6 AC320H P
084	136959-6	Gereedschaphouder assy DHR183
085	136960-1	Tandwiel 9 assy DHR183
086	8588S0-3	Label serienr. DHR183
087	8588R3-0	Naamplaat DHR183