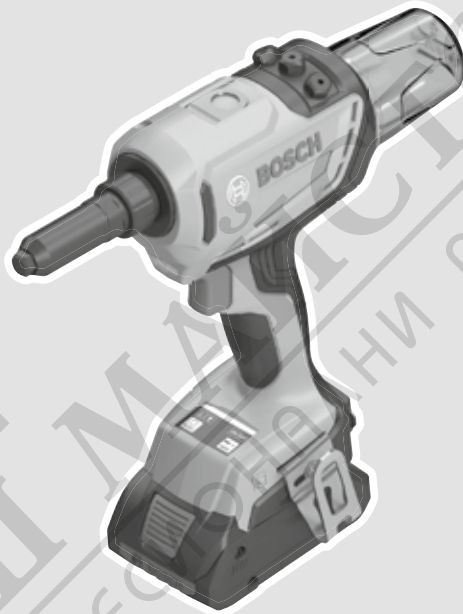




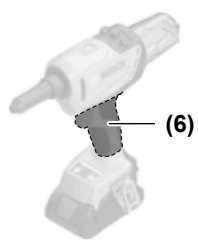
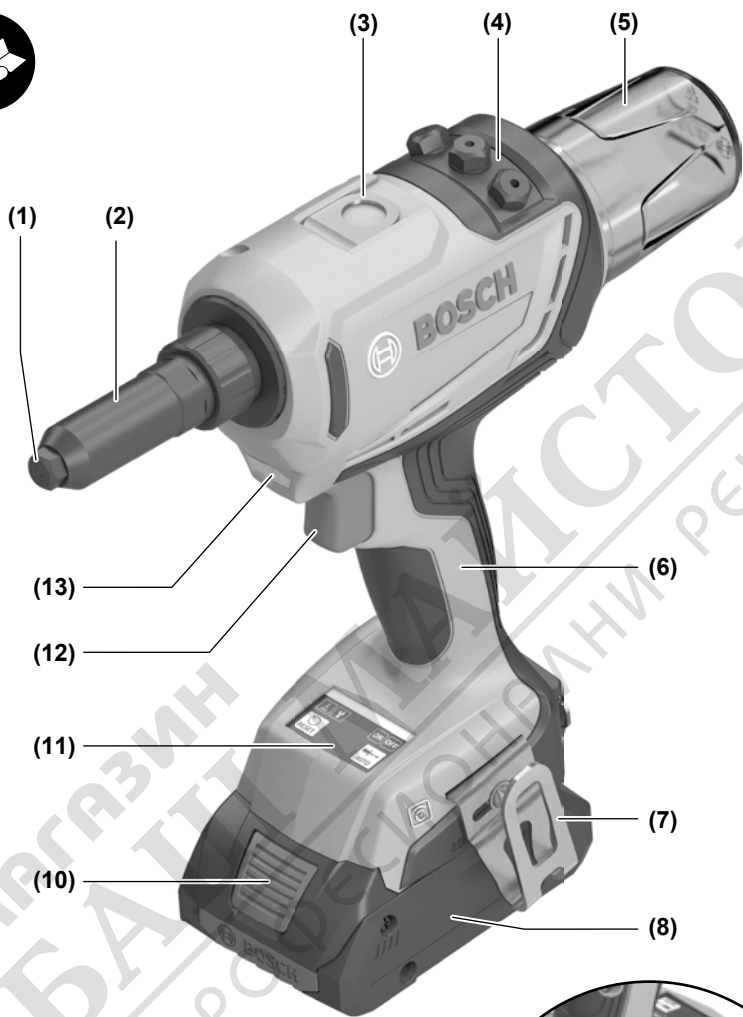
GRG 18V-16 C Professional

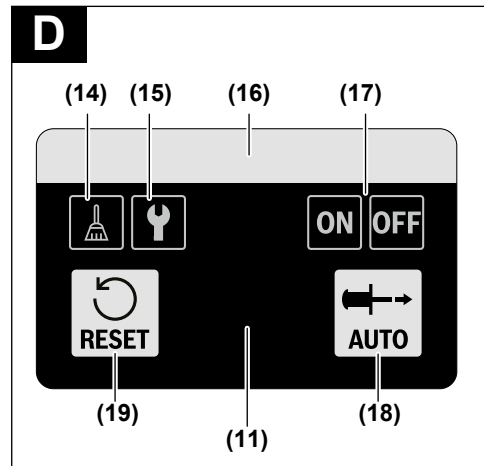
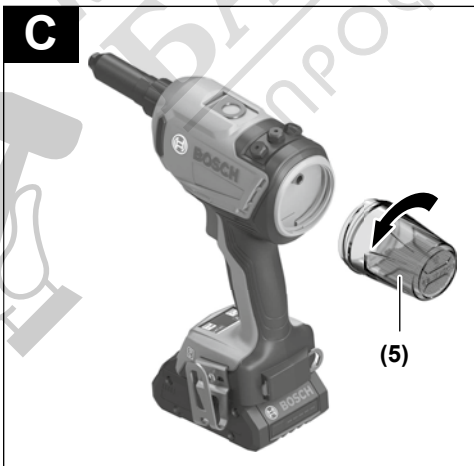
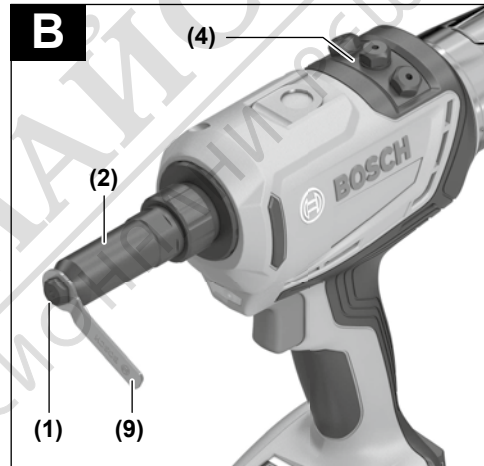
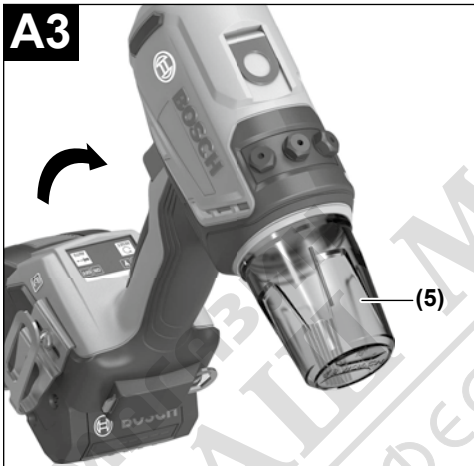
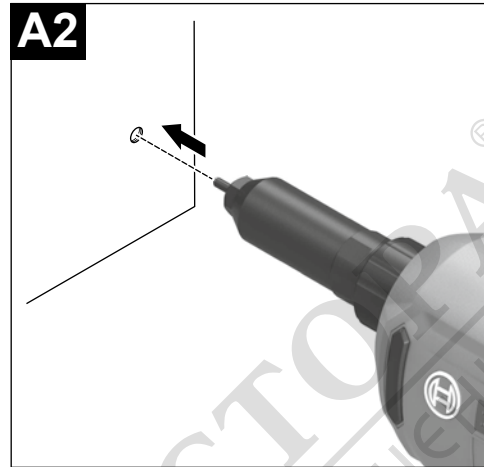
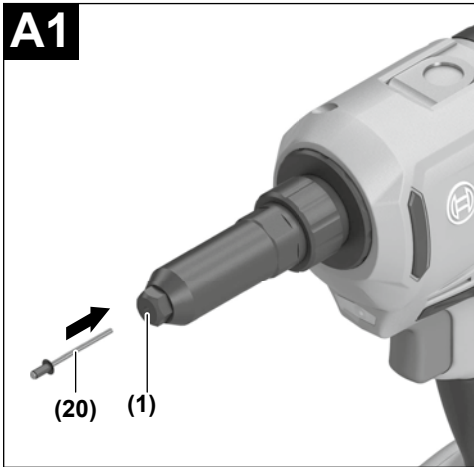
HEAVY
DUTY

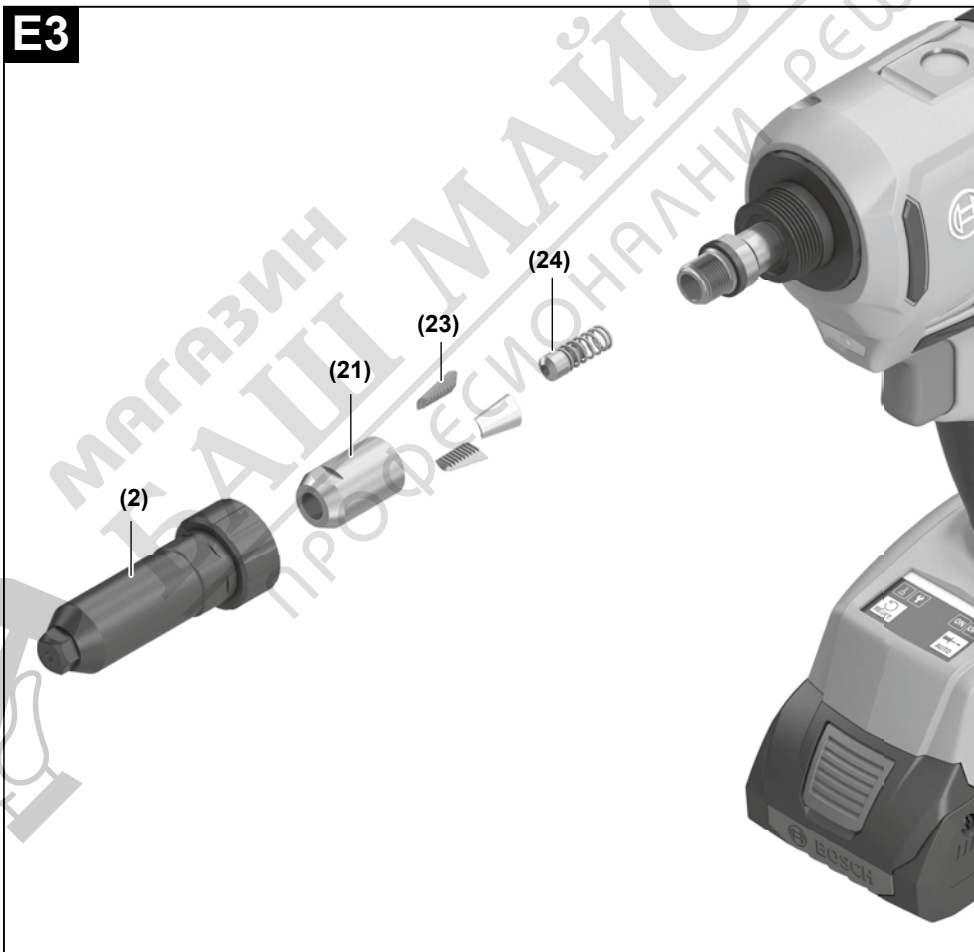
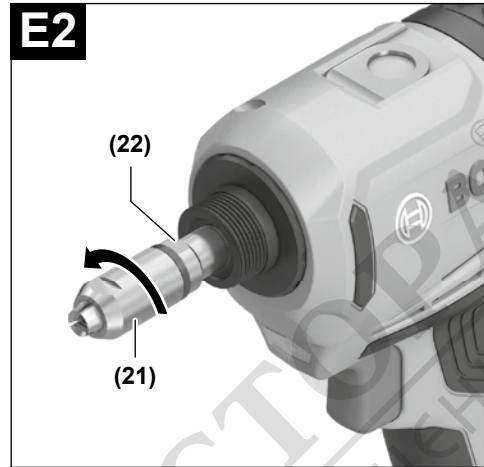


- en Original instructions
- fr Notice originale
- pt Manual original
- es Manual original
- pt Manual de instruções original
- zh 正本使用说明书
- zh 原始使用說明書
- th หนังสือคู่มือการใช้งานฉบับ
ต้นแบบ
- id Petunjuk-Petunjuk untuk
Penggunaan Orisinal
- vi Bản gốc hướng dẫn sử dụng
- ar دليل التشغيل الأصلي
- fa دفترچه راهنمای اصلی









English

Safety instructions

General Power Tool Safety Warnings

⚠ WARNING Read all safety warnings, instructions, illustrations and specifications provided with this power tool. Failure to follow all instructions listed below may result in electric shock, fire and/or serious injury.

Save all warnings and instructions for future reference.

The term "power tool" in the warnings refers to your mains-operated (corded) power tool or battery-operated (cordless) power tool.

Work area safety

- ▶ **Keep work area clean and well lit.** Cluttered or dark areas invite accidents.
- ▶ **Do not operate power tools in explosive atmospheres, such as in the presence of flammable liquids, gases or dust.** Power tools create sparks which may ignite the dust or fumes.
- ▶ **Keep children and bystanders away while operating a power tool.** Distractions can cause you to lose control.

Electrical safety

- ▶ **Power tool plugs must match the outlet. Never modify the plug in any way. Do not use any adapter plugs with earthed (grounded) power tools.** Unmodified plugs and matching outlets will reduce risk of electric shock.
- ▶ **Avoid body contact with earthed or grounded surfaces, such as pipes, radiators, ranges and refrigerators.** There is an increased risk of electric shock if your body is earthed or grounded.
- ▶ **Do not expose power tools to rain or wet conditions.** Water entering a power tool will increase the risk of electric shock.
- ▶ **Do not abuse the cord. Never use the cord for carrying, pulling or unplugging the power tool. Keep cord away from heat, oil, sharp edges or moving parts.** Damaged or entangled cords increase the risk of electric shock.
- ▶ **When operating a power tool outdoors, use an extension cord suitable for outdoor use.** Use of a cord suitable for outdoor use reduces the risk of electric shock.
- ▶ **If operating a power tool in a damp location is unavoidable, use a residual current device (RCD) protected supply.** Use of an RCD reduces the risk of electric shock.

Personal safety

- ▶ **Stay alert, watch what you are doing and use common sense when operating a power tool. Do not use a power tool while you are tired or under the influence of drugs, alcohol or medication.** A moment of inatten-

tion while operating power tools may result in serious personal injury.

- ▶ **Use personal protective equipment. Always wear eye protection.** Protective equipment such as a dust mask, non-skid safety shoes, hard hat or hearing protection used for appropriate conditions will reduce personal injuries.
- ▶ **Prevent unintentional starting. Ensure the switch is in the off-position before connecting to power source and/or battery pack, picking up or carrying the tool.** Carrying power tools with your finger on the switch or energising power tools that have the switch on invites accidents.
- ▶ **Remove any adjusting key or wrench before turning the power tool on.** A wrench or a key left attached to a rotating part of the power tool may result in personal injury.
- ▶ **Do not overreach. Keep proper footing and balance at all times.** This enables better control of the power tool in unexpected situations.
- ▶ **Dress properly. Do not wear loose clothing or jewellery. Keep your hair and clothing away from moving parts.** Loose clothes, jewellery or long hair can be caught in moving parts.
- ▶ **If devices are provided for the connection of dust extraction and collection facilities, ensure these are connected and properly used.** Use of dust collection can reduce dust-related hazards.
- ▶ **Do not let familiarity gained from frequent use of tools allow you to become complacent and ignore tool safety principles.** A careless action can cause severe injury within a fraction of a second.

Power tool use and care

- ▶ **Do not force the power tool. Use the correct power tool for your application.** The correct power tool will do the job better and safer at the rate for which it was designed.
- ▶ **Do not use the power tool if the switch does not turn it on and off.** Any power tool that cannot be controlled with the switch is dangerous and must be repaired.
- ▶ **Disconnect the plug from the power source and/or remove the battery pack, if detachable, from the power tool before making any adjustments, changing accessories, or storing power tools.** Such preventive safety measures reduce the risk of starting the power tool accidentally.
- ▶ **Store idle power tools out of the reach of children and do not allow persons unfamiliar with the power tool or these instructions to operate the power tool.** Power tools are dangerous in the hands of untrained users.
- ▶ **Maintain power tools and accessories. Check for misalignment or binding of moving parts, breakage of parts and any other condition that may affect the power tool's operation. If damaged, have the power tool repaired before use.** Many accidents are caused by poorly maintained power tools.

- ▶ **Keep cutting tools sharp and clean.** Properly maintained cutting tools with sharp cutting edges are less likely to bind and are easier to control.
- ▶ **Use the power tool, accessories and tool bits etc. in accordance with these instructions, taking into account the working conditions and the work to be performed.** Use of the power tool for operations different from those intended could result in a hazardous situation.
- ▶ **Keep handles and grasping surfaces dry, clean and free from oil and grease.** Slippery handles and grasping surfaces do not allow for safe handling and control of the tool in unexpected situations.

Battery tool use and care

- ▶ **Recharge only with the charger specified by the manufacturer.** A charger that is suitable for one type of battery pack may create a risk of fire when used with another battery pack.
- ▶ **Use power tools only with specifically designated battery packs.** Use of any other battery packs may create a risk of injury and fire.
- ▶ **When battery pack is not in use, keep it away from other metal objects, like paper clips, coins, keys, nails, screws or other small metal objects, that can make a connection from one terminal to another.** Shorting the battery terminals together may cause burns or a fire.
- ▶ **Under abusive conditions, liquid may be ejected from the battery; avoid contact. If contact accidentally occurs, flush with water. If liquid contacts eyes, additionally seek medical help.** Liquid ejected from the battery may cause irritation or burns.
- ▶ **Do not use a battery pack or tool that is damaged or modified.** Damaged or modified batteries may exhibit unpredictable behaviour resulting in fire, explosion or risk of injury.
- ▶ **Do not expose a battery pack or tool to fire or excessive temperature.** Exposure to fire or temperature above 130°C may cause explosion.
- ▶ **Follow all charging instructions and do not charge the battery pack or tool outside the temperature range specified in the instructions.** Charging improperly or at temperatures outside the specified range may damage the battery and increase the risk of fire.

Service

- ▶ **Have your power tool serviced by a qualified repair person using only identical replacement parts.** This will ensure that the safety of the power tool is maintained.
- ▶ **Never service damaged battery packs.** Service of battery packs should only be performed by the manufacturer or authorized service providers.

Safety Instructions for rivet guns

- ▶ **Do not direct the rivet gun at yourself or other persons during use and do not work without the material**

to be riveted. The blind rivet can be ejected from the rivet gun and cause injury.

- ▶ **Do not work without a mandrel container.** Rivet mandrels are ejected from the back of the rivet gun and can cause injury.
- ▶ **In case of damage and improper use of the battery, vapours may be emitted. The battery can set alight or explode.** Ensure the area is well ventilated and seek medical attention should you experience any adverse effects. The vapours may irritate the respiratory system.
- ▶ **Do not open the battery.** There is a risk of short-circuiting.
- ▶ **The battery can be damaged by pointed objects such as nails or screwdrivers or by force applied externally.** An internal short circuit may occur, causing the battery to burn, smoke, explode or overheat.
- ▶ **Only use the battery with products from the manufacturer.** This is the only way in which you can protect the battery against dangerous overload.



Protect the battery against heat, e.g. against continuous intense sunlight, fire, dirt, water and moisture. There is a risk of explosion and short-circuiting.



- ▶ **Caution! When using the power tool with Bluetooth®, a fault may occur in other devices and systems, aeroplanes and medical devices (e.g. pacemakers, hearing aids). Also, damage to people and animals in the immediate vicinity cannot be completely excluded. Do not use the power tool with Bluetooth® in the vicinity of medical devices, petrol stations, chemical plants, areas with a potentially explosive atmosphere or in blasting areas. Do not use the power tool with Bluetooth® in aircraft. Avoid using the product near your body for extended periods.**

The Bluetooth® word mark and logos are registered trademarks owned by Bluetooth SIG, Inc. and any use of such marks by Robert Bosch Power Tools GmbH is under license.



WARNING



Ensure that the coin cell is kept out of the reach of children.
Coin cells are dangerous.

- ▶ **Coin cells must never be swallowed or inserted into any other part of the body. If you suspect that someone has swallowed a coin cell or that a coin cell has entered the body in another way, seek medical attention immediately.** Swallowing coin cells can result in severe internal burns and death within 2 hours.
- ▶ **Ensure that coin cell replacement is carried out properly.** There is a risk of explosion.
- ▶ **Only use the coin cells listed in this operating manual.** Do not use any other coin cells or other forms of electrical power supply.

- ▶ **Do not attempt to recharge the coin cell and do not short circuit the coin cell.** The coin cell may leak, explode, catch fire and cause personal injury.
- ▶ **Remove and dispose of drained coin cell correctly.** Drained coin cell may leak and damage the product or cause personal injury.
- ▶ **Do not overheat the coin cell or throw it into fire.** The coin cell may leak, explode, catch fire and cause personal injury.
- ▶ **Do not damage the coin cell and or take the coin cell apart.** The coin cell may leak, explode, catch fire and cause personal injury.
- ▶ **Do not allow damaged coin cells to come into contact with water.** Leaking lithium may mix with water to create hydrogen, which could cause a fire, an explosion, or personal injury.

Symbols

The following symbols may be important for the operation of your power tool. Please take note of these symbols and their meaning. Correctly interpreting the symbols will help you to operate the power tool more effectively and safely.

Symbols and their meaning



Tool data logging is enabled in this tool.



Wireless connectivity tool with built-in *Bluetooth*[®] technology

Product Description and Specifications



Read all the safety and general instructions.

Failure to observe the safety and general instructions may result in electric shock, fire and/or serious injury.

Please observe the illustrations at the beginning of this operating manual.

Intended Use

The power tool is intended for setting blind rivets.

With the built-in *Bluetooth*[®] Low Energy Module, power tool data and settings are transferred between the power tool and a mobile device by means of *Bluetooth*[®] wireless technology.

Product Features

The numbering of the product features refers to the diagram of the power tool on the graphics page.

- (1) Nosepiece
 - (2) Cover sleeve
 - (3) Hanging ring
 - (4) Nosepiece magazine
 - (5) Mandrel container (for broken-off rivet mandrels)
 - (6) Handle (insulated gripping surface)
 - (7) Belt clip
 - (8) Rechargeable battery^{a)}
 - (9) Wrench
 - (10) Battery release button^{a)}
 - (11) User interface
 - (12) On/off switch
 - (13) LED worklight
 - (14) Indicator: Jaw cleaning reminder (user interface)
 - (15) Indicator: Jaw checking reminder (user interface)
 - (16) Power tool status indicator (user interface)
 - (17) Working modes indicator (user interface)
 - (18) **AUTO** button to select the working mode (user interface)
 - (19) **RESET** button to reset the reminder (user interface)
 - (20) Blind rivet^{b)}
 - (21) Jaw sleeve
 - (22) Spanner flat
 - (23) Jaws
 - (24) Pressure spring
- a) **Accessories shown or described are not included with the product as standard. You can find the complete selection of accessories in our accessories range.**
- b) **Commercially available (not included in the scope of delivery)**

Technical Data

Cordless rivet gun	GRG 18V-16 C	
Article number		3 601 JK5 ...
Stroke	mm	25
Pulling force	N	16,000
Weight according to EPTA-Procedure 01:2014 ^{A)}	kg	2.0 to 3.0
Permitted ambient temperature		
– during charging	°C	0 to +35
– during operation and during storage	°C	–20 to +50
Recommended rechargeable batteries		GBA 18V... ProCORE18V...
Recommended chargers		GAL 18... GAX 18... GAL 36...
Data transfer		

Cordless rivet gun		GRG 18V-16 C
Bluetooth®		Bluetooth® 4.2 (Low Energy) ^{B)}
Max. signal range	m	30 ^{C)}
Frequency range used	MHz	2400–2483.5
Output power	mW	< 1
Energy supply Bluetooth® Low Energy module		
Coin cell		3 V lithium battery, CR 2450
Coin cell service life, approx.	Years	5

- A) Measured at 20–25 °C with battery **GBA 18V 1.5Ah** and **GBA 18V 12Ah**.
- B) The mobile terminal devices must be compatible with *Bluetooth*® Low Energy devices (version 4.2) and support the Generic Access Profile (GAP).
- C) The signal range may vary greatly depending on external conditions, including the receiving device used. The *Bluetooth*® range may be significantly weaker inside closed rooms and through metallic barriers (e.g. walls, shelving units, cases, etc.).

Noise/Vibration Information

Noise emission values determined according to **EN 62841-1**.

Typically, the A-weighted sound pressure level of the power tool is **73.5 dB(A)**. Uncertainty $K = 3$ dB. The noise level when working can exceed the volume stated. **Wear hearing protection!**

Vibration total values a_h (triaux vector sum) and uncertainty K determined according to **EN 62841-1**:

$a_h = 1.0 \text{ m/s}^2$, $K = 1.5 \text{ m/s}^2$.

The vibration level and noise emission value given in these instructions have been measured in accordance with a standardised measuring procedure and may be used to compare power tools. They may also be used for a preliminary estimation of vibration and noise emissions.

The stated vibration level and noise emission value represent the main applications of the power tool. However, if the power tool is used for other applications, with different application tools or is poorly maintained, the vibration level and noise emission value may differ. This may significantly increase the vibration and noise emissions over the total working period.

To estimate vibration and noise emissions accurately, the times when the tool is switched off or when it is running but not actually being used should also be taken into account. This may significantly reduce vibration and noise emissions over the total working period.

Implement additional safety measures to protect the operator from the effects of vibration, such as servicing the power tool and application tools, keeping their hands warm, and organising workflows correctly.

Rechargeable battery

Bosch sells some cordless power tools without a rechargeable battery. You can tell whether a rechargeable bat-

tery is included with the power tool by looking at the packaging.

Charging the battery

► **Use only the chargers listed in the technical data.** Only these chargers are matched to the lithium-ion battery of your power tool.

Note: Lithium-ion rechargeable batteries are supplied partially charged according to international transport regulations. To ensure full rechargeable battery capacity, fully charge the rechargeable battery before using your tool for the first time.

► **Do not continue to press the On/Off switch after the power tool has automatically switched off.** The battery can be damaged.

Inserting the Battery

Push the charged battery into the battery holder until it clicks into place.

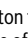
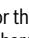
Removing the Battery

To remove the rechargeable battery, press the battery release button and pull the battery out. **Do not use force to do this.**

The rechargeable battery has two locking levels to prevent the battery from falling out if the battery release button is pressed unintentionally. The rechargeable battery is held in place by a spring when fitted in the power tool.

Battery charge indicator

The green LEDs on the battery charge indicator indicate the state of charge of the battery. For safety reasons, it is only possible to check the state of charge when the power tool is not in operation.

Press the button for the battery charge indicator  or  to show the state of charge. This is also possible when the battery is removed.

If no LED lights up after pressing the button for the battery charge indicator, then the battery is defective and must be replaced.

Battery model GBA 18V...



LED	Capacity
3× continuous green light	60–100 %
2× continuous green light	30–60 %
1× continuous green light	5–30 %
1× flashing green light	0–5 %

Battery model ProCORE18V...

LED	Capacity
5 × continuous green light	80–100 %
4 × continuous green light	60–80 %
3 × continuous green light	40–60 %
2 × continuous green light	20–40 %
1 × continuous green light	5–20 %
1 × flashing green light	0–5 %

Operation

Suitable blind rivet/nosepiece combinations

The use of a combination not listed in the table below may lead to poor fastening or a malfunction of the power tool.

Blind rivet		Nosepiece	
Size	Rivet mandrel	Labelling	Hole diameter
Dia. 3.0 mm (1/8") Dia. 3.2 mm (1/8")	Dia. 2.00–2.15 mm Dia. 1.85–2.15 mm	3.0/3.2	Dia. 2.3–2.4 mm
Dia. 4.0 mm (5/32")	Dia. 2.35–2.80 mm	4.0	Dia. 2.7–2.8 mm
Dia. 4.8 mm (3/16") Dia. 5.0 mm (3/16")	Dia. 2.77–3.50 mm Dia. 2.95–3.50 mm	4.8/5.0	Dia. 3.3–3.4 mm
Dia. 6.0 mm (1/4") Dia. 6.4 mm (1/4")	Dia. 3.40–3.50 mm Dia. 3.71–4.00 mm	6.4	Dia. 4.6–4.7 mm

Setting a blind rivet (see figures A1–A3)

- Prepare the workpieces to be connected. If no holes are yet available, pre-drill the workpieces.
- Select a suitable nosepiece (1). Screw the nosepiece onto the cover sleeve (2) and tighten it with the wrench (9).
- Use the **AUTO (18)** button to select the required working mode (see "Selecting the working mode", page 11).
- Insert the rivet mandrel of the blind rivet (20) into the nosepiece (1).
- Hold the power tool tightly and push the blind rivet into the pilot hole.
- Depending on the working mode, press the on/off switch (12) and wait until the rivet mandrel has broken off.
- Tilt the power tool backwards so that the rivet mandrel can fall into the mandrel container (5).

Note: After setting the blind rivet, ensure that the broken-off rivet mandrel has fallen into the mandrel container before setting the next blind rivet.

Recommendations for Optimal Handling of the Battery

Protect the battery against moisture and water.

Only store the battery within a temperature range of -20 to 50 °C. Do not leave the battery in your car in the summer, for example.

Occasionally clean the ventilation slots on the battery using a soft brush that is clean and dry.

A significantly reduced operating time after charging indicates that the battery has deteriorated and must be replaced.

Follow the instructions on correct disposal.

Changing the Nosepiece (see figure B)

The nosepiece magazine (4) contains nosepieces of three different sizes, enabling the user to exchange nosepieces quickly.

- Use the wrench (9) to unscrew the nosepiece (1) from the cover sleeve (2).
- Screw the new nosepiece on and tighten it with the wrench (9).

Empty the mandrel container (see figure C)

Always empty the mandrel container (5) for broken-off rivet mandrels before it is completely full in order to prevent blockages.

- Unscrew the mandrel container (5) by turning it anti-clockwise.
- Empty the mandrel container (5) into a suitable recycling or waste bin.
- Screw the mandrel container (5) back onto the power tool by turning it clockwise.

User interface (see figure D)

The user interface (11) is used to select the working mode and to indicate the status of the power tool.

Status indicator (16)	Meaning
–	Power tool switched off
Green	Power tool switched on and ready to use
Yellow	Warning message
Red	Error message
Blue (flashing)	Data transfer

Indicator: Jaw Cleaning/Checking Reminder

- If the reminder (15) or (14) lights up, you must check the jaws (23).
- If required, clean the jaws (see "Clean the jaws (see figures E1–E3)", page 13).
- Only reset the reminder once you have checked the jaws. To do so, press and hold the **RESET (19)** button for 2 seconds.

Selecting the working mode

The **AUTO (18)** button can be used to choose between two working modes.

- **AUTO ON** working mode:
To set a blind rivet, press the on/off switch (12) briefly and then release it again. The riveting process is automatically completed.
Advantage: Convenient riveting
- **AUTO OFF** working mode:
To set a blind rivet, press and hold the on/off switch (12) until the blind rivet is fully set and the rivet mandrel has broken off. Then release the on/off switch in order to complete the riveting process
Advantage: Quick riveting (depending on the blind rivet/nosepiece combination that is used)

Working Advice

- ▶ **The power tool with built-in Bluetooth® Low Energy Module is equipped with a radio interface. Local operating restrictions, e.g. in aircraft or hospitals, must be observed.**
- ▶ **In areas in which the Bluetooth® wireless technology must not be used, the Bluetooth® Low Energy Module must be switched off via the app.**

LED worklight

The LED worklight (13) improves visibility in the immediate work area. It is automatically switched on when the on/off switch (12) is pressed.

Suspension device

You can use the hanging ring (3) to attach the power tool to a suspension device (e.g. on a production line).

- To do so, fold the hanging ring (3) upwards.

- ▶ **Regularly check the condition of the hanging ring and the catch in the suspension device.**

Belt clip

You can use the belt clip (7) to conveniently secure the power tool to your belt.

Connectivity functions

System Requirements for Using the App



System Requirements

Mobile device (tablet, smartphone) _____ Android 5.1 (and newer) _____ iOS 10 (and newer)

Installing and Setting up the App

You will need to install the device-specific app before you can use the connectivity functions.

- Download the app from the corresponding app store (Apple App Store, Google Play Store).
- Note:** You will need to have a user account with the relevant app store to do this.

App name	iOS	Android
Bosch Toolbox		

- Then select the **MyTools** or **Connectivity** sub-item in the app.
- The display of your mobile device shows you all of the subsequent steps required to connect the power tool to the mobile device.

Data Transfer via Bluetooth®

The built-in *Bluetooth®* Low Energy Module sends a signal at regular intervals. Depending on ambient conditions, multiple transmission intervals may be required before the power tool is detected. If the power tool is not detected, check the following:

- Is the distance to the mobile device too great?
Reduce the distance between the mobile device and the power tool.
- Is the coin cell for the built-in *Bluetooth®* Low Energy Module weak or drained?
Contact an authorised after-sales service centre for Bosch power tools to replace the coin cell.
- Switch *Bluetooth®* off and on again on your mobile device.
Check whether the power tool has now been detected.



Functions in Conjunction with the Power Tool











In conjunction with the *Bluetooth®* Low Energy module, the following connectivity functions are available for the power tool:

- Registration and personalisation

- Status check, output of warning and error messages
- General information and settings (e.g. reminder interval for checking the jaws)
- Management

Alerts

Problem	Display (see figure D)	Display colour	Cause	Corrective measure
Warning message		Yellow	Jaws (23) dirty	- Clean the jaws (23)
		Yellow	Jaws (23) worn	- Check and, if required, replace the jaws (23)

Problem	Toolbox app display	Display colour	Cause	Corrective measure
Warning message		Yellow	Jaws (23) dirty	- Clean the jaws (23)
		Yellow	Jaws (23) worn	- Check and, if required, replace the jaws (23)
		Yellow	Rechargeable battery (8) state of charge weak	- Replace or charge the rechargeable battery (8)
		Yellow	Rechargeable battery (8) almost overheated	- Replace the rechargeable battery (8) or - Switch off the power tool and allow it to cool down for 3–5 minutes until the status indicator (16) lights up green
		Yellow	Electronics almost overheated	- Switch off the power tool and allow it to cool down until the status indicator (16) lights up green
		Yellow	Jaws (23) not in working/neutral position	- Press the on/off switch (12) so that the jaws (23) return to the working/neutral position
	Error message		Red	Rechargeable battery (8) state of charge critical
		Red	Rechargeable battery (8) overheated	- Replace the rechargeable battery (8) immediately or - Switch off the power tool immediately and allow it to cool down for 3–5 minutes until the status indicator (16) lights up green
		Red	Electronics overheated	- Switch off the power tool immediately and allow it to cool down until the status indicator (16) lights up green
		Red	Jaws (23) jammed	- Clean the jaws (23) and, if required, replace them

Maintenance and Service

Maintenance and Cleaning

- Remove the battery from the power tool before carrying out work on the power tool (e.g. maintenance, changing tool, etc.). The battery should also be re-

moved for transport and storage. There is risk of injury from unintentionally pressing the on/off switch.

- To ensure safe and efficient operation, always keep the power tool and the ventilation slots clean.

Clean the jaws (see figures E1–E3)

- Remove the cover sleeve (2) from the power tool by turning it anticlockwise.
- Use a wrench (16 mm) to provide resistance on the joint (22) and loosen the jaw sleeve (21).
- Remove the jaw sleeve (21).
This allows access to the jaws (23) and pressure spring (24).
- Clean the jaws (23) and pressure spring (24) to remove dust and metal splinters.
- If necessary, replace the jaws (23).
- Reassemble all components in reverse order.

Replacing the Built-in Coin Cell

The *Bluetooth*® Low Energy Module is fitted with a coin cell. You will be notified via the **Bosch Toolbox** app if the coin cell is too weak or if it is drained. The coin cell replacement must be performed by Bosch or by an after-sales service centre authorised to work with Bosch power tools.

- ▶ **Caution: The coin cell must always be replaced with a coin cell of the same type.** There is a risk of explosion.
- ▶ **Remove and dispose of drained coin cell correctly.**
Drained coin cell may leak and damage the product or cause personal injury.

After-Sales Service and Application Service

Our after-sales service responds to your questions concerning maintenance and repair of your product as well as spare parts. You can find explosion drawings and information on spare parts at: www.bosch-pt.com

The Bosch product use advice team will be happy to help you with any questions about our products and their accessories.

In all correspondence and spare parts orders, please always include the 10-digit article number given on the nameplate of the product.

Malaysia

Robert Bosch Sdn. Bhd. (220975-V) PT/SMY
No. 8A, Jalan 13/6
46200 Petaling Jaya
Selangor
Tel.: (03) 79663194
Toll-Free: 1800 880188
Fax: (03) 79583838
E-Mail: kiathoe.chong@my.bosch.com
www.bosch-pt.com.my

You can find further service addresses at:

www.bosch-pt.com/serviceaddresses

Transport

The recommended lithium-ion batteries are subject to legislation on the transport of dangerous goods. The user can transport the batteries by road without further requirements.

When shipping by third parties (e.g.: by air transport or forwarding agency), special requirements on packaging and la-

belling must be observed. For preparation of the item being shipped, consulting an expert for hazardous material is required.

Dispatch battery packs only when the housing is undamaged. Tape or mask off open contacts and pack up the battery in such a manner that it cannot move around in the packaging. Please also observe the possibility of more detailed national regulations.

Disposal

Power tools, rechargeable batteries, accessories and packaging should be sorted for environmental-friendly recycling.



Do not dispose of power tools and batteries/rechargeable batteries into household waste!

Battery packs/batteries:**Li-ion:**

Please observe the notes in the section on transport (see "Transport", page 13).

Français**Consignes de sécurité****Avertissements de sécurité généraux pour l'outil électrique**

AVERTISSEMENT Lire tous les avertissements de sécurité, les instructions, les illustrations et les spécifications fournis

avec cet outil électrique. Ne pas suivre les instructions énumérées ci-dessous peut provoquer un choc électrique, un incendie et/ou une blessure sérieuse.

Conservation de tous les avertissements et de toutes les instructions pour pouvoir s'y reporter ultérieurement.

Le terme "outil électrique" dans les avertissements fait référence à votre outil électrique alimenté par le secteur (avec cordon d'alimentation) ou votre outil électrique fonctionnant sur batterie (sans cordon d'alimentation).

Sécurité de la zone de travail

- ▶ **Conservation de la zone de travail propre et bien éclairée.**
Les zones en désordre ou sombres sont propices aux accidents.
- ▶ **Ne pas faire fonctionner les outils électriques en atmosphère explosive, par exemple en présence de liquides inflammables, de gaz ou de poussières.** Les outils électriques produisent des étincelles qui peuvent enflammer les poussières ou les fumées.
- ▶ **Maintenir les enfants et les personnes présentes à l'écart pendant l'utilisation de l'outil électrique.** Les