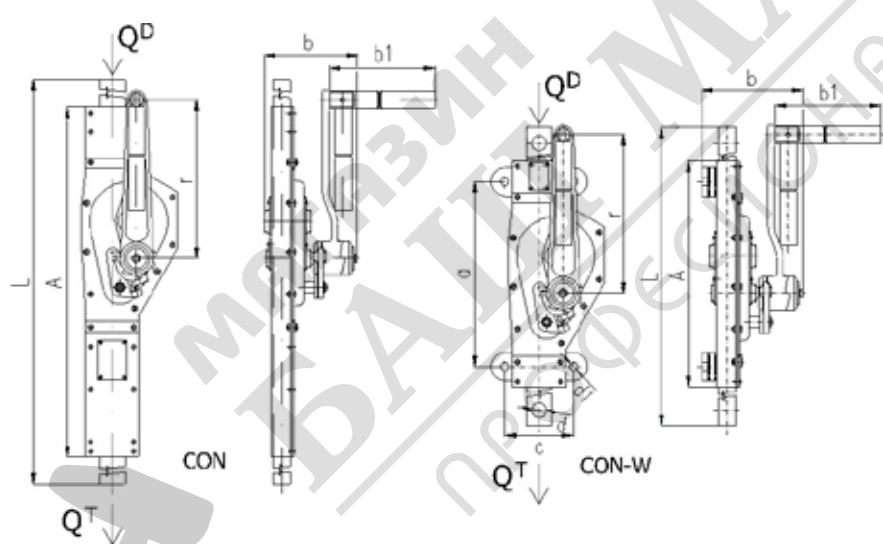


During drawing load the lift will be smaller than stated in the chart. For lifting capacity 2,5t – of 230mm, for lifting capacity 5t – of 250 mm, for lifting capacity – of 360 mm.

Type	Lifting capacity (t)	Operating force on crank (N)	Main dimensions (mm)									Lift	Weight (kg)
			L	A	a	b	b1	c	d	d1	r		
15-00-CON-W	2,5	380	660									345	12,8
			970	360	320	180	200	80	25	13	250	580	15,2
			1200										850
15-00-CON-W	5	550	690									360	22,1
			970	427	350	190	200	80	30	13	300	605	25,6
			1200										850
15-01-CON-W	10	540	690									345	35
			970	580	490	225	200	80	30	13	300	615	40
			1200										825
15-00-CON	2,5	380	660									345	11,4
			970	655	-	-	200	-	-	-	250	680	13,8
			1200										850
15-00-CON	5	550	690									360	19
			970	662	-	-	200	-	-	-	300	680	22,5
			1200										850
15-01-CON	10	540	690									345	33
			970	670	-	-	200	-	-	-	300	615	38
			1200										825



Qt – tensile load, QD – pressure load

