



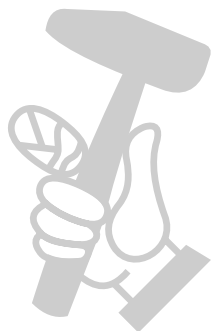
## Welding inverter WME<sub>m</sub> 250



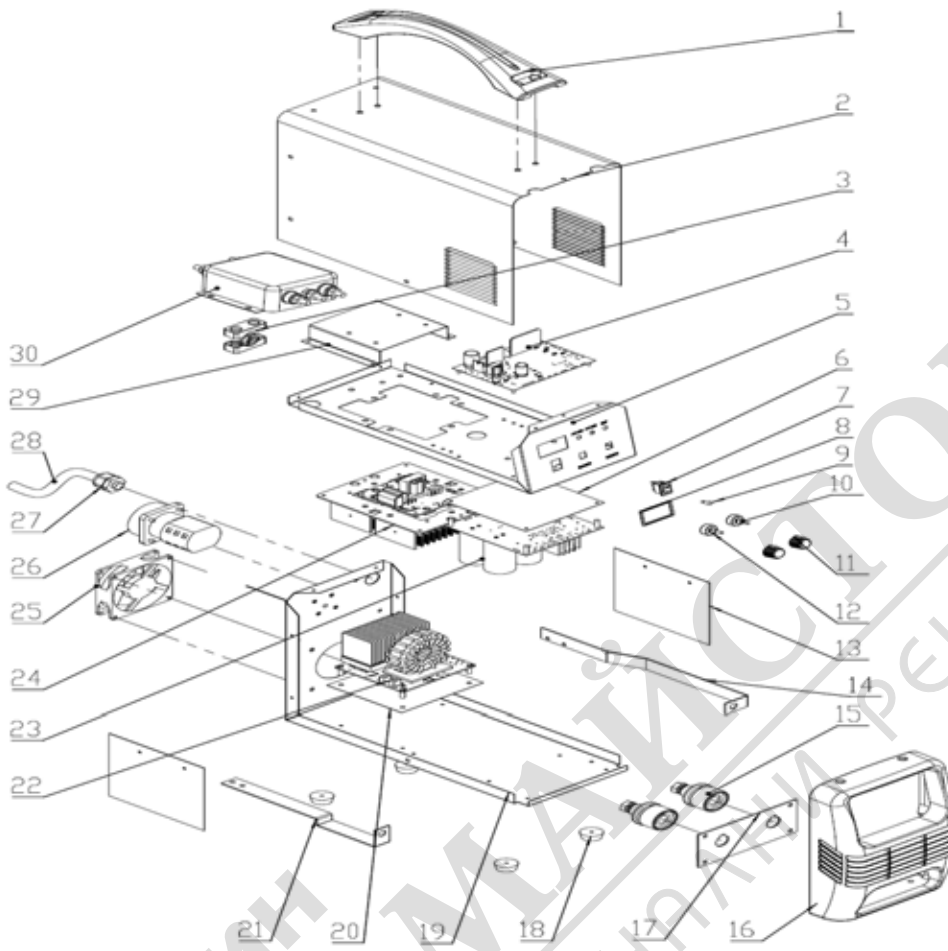
### STANDARD EQUIPMENT:

- welding cable
- return cable
- mask & brush

| No | Order code     | Description                      | Quantity |
|----|----------------|----------------------------------|----------|
| 1  | 0302503503S001 | handle                           | 1        |
| 2  | 0302503503S002 | shell                            | 1        |
| 3  | 0302503503S003 | Clamping plate                   | 2        |
| 4  | 0302503503S004 | main control board               | 1        |
| 5  | 0302503503S005 | mounting plate                   | 1        |
| 6  | 0302503503S006 | Power board insulation board     | 1        |
| 7  | 0302503503S007 | Welding mode switch harness      | 1        |
| 8  | 0302503503S008 | digital display                  | 1        |
| 9  | 0302503503S009 | Overheat Indicator Harness       | 1        |
| 10 | 0302503503S010 | Welding Potentiometer Harness    | 1        |
| 11 | 0302503503S011 | potentiometer knob               | 2        |
| 12 | 0302503503S012 | Potentiometer Harness            | 1        |
| 13 | 0302503503S013 | Left and right wind deflectors   | 2        |
| 14 | 0302503503S014 | Positive busbar                  | 1        |
| 15 | 0302503503S015 | quick socket                     | 2        |
| 16 | 0302503503S016 | plastic panel                    | 1        |
| 17 | 0302503503S017 | output fixing plate              | 1        |
| 18 | 0302503503S018 | machine foot                     | 4        |
| 19 | 0302503503S019 | bottom back plate                | 1        |
| 20 | 0302503503S020 | Rectifier board insulation board | 1        |
| 21 | 0302503503S021 | Negative busbar                  | 1        |
| 22 | 0302503503S022 | rectifier plate                  | 1        |
| 23 | 0302503503S023 | Power Board                      | 1        |
| 24 | 0302503503S024 | Inverter board radiator assembly | 1        |
| 25 | 0302503503S025 | Fan wiring harness               | 1        |
| 26 | 0302503503S026 | Universal transfer switch        | 1        |
| 27 | 0302503503S027 | External force cable gland       | 1        |
| 28 | 0302503503S028 | Power cord harness               | 1        |
| 29 | 0302503503S029 | Filter fixing plate              | 1        |
| 30 | 0302503503S030 | filter                           | 1        |



МАГАЗИН МАСТЕРОВ  
 БАШ ПРОФЕССИОНАЛЬНЫЕ РЕШЕНИЯ



МАГАЗИН МАКСТОРА®  
БАШ ПРОФЕСИОНАЛНИ РЕШЕНИЯ

