

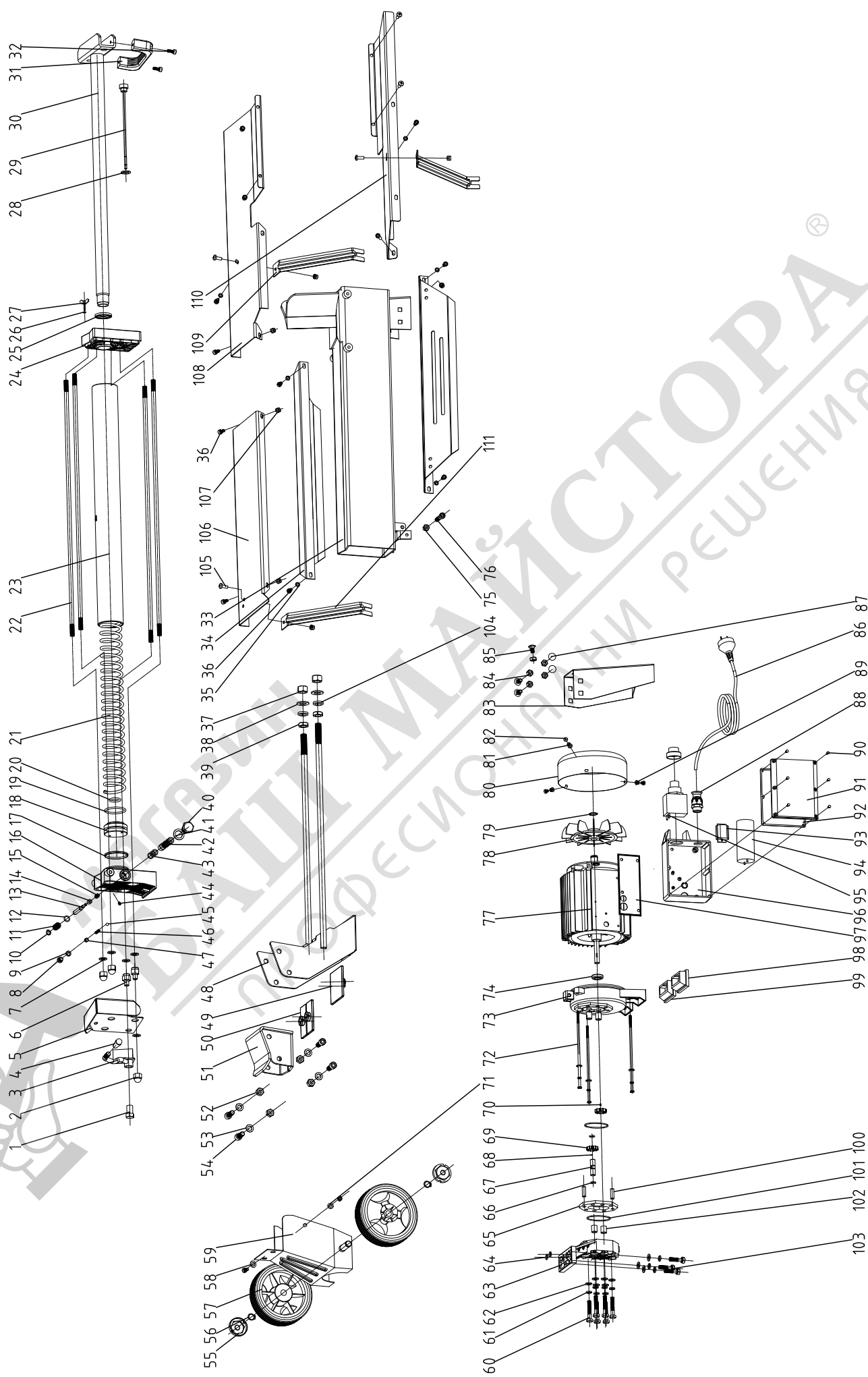
# Spare Parts Kits



**Model: LSEm 5001**



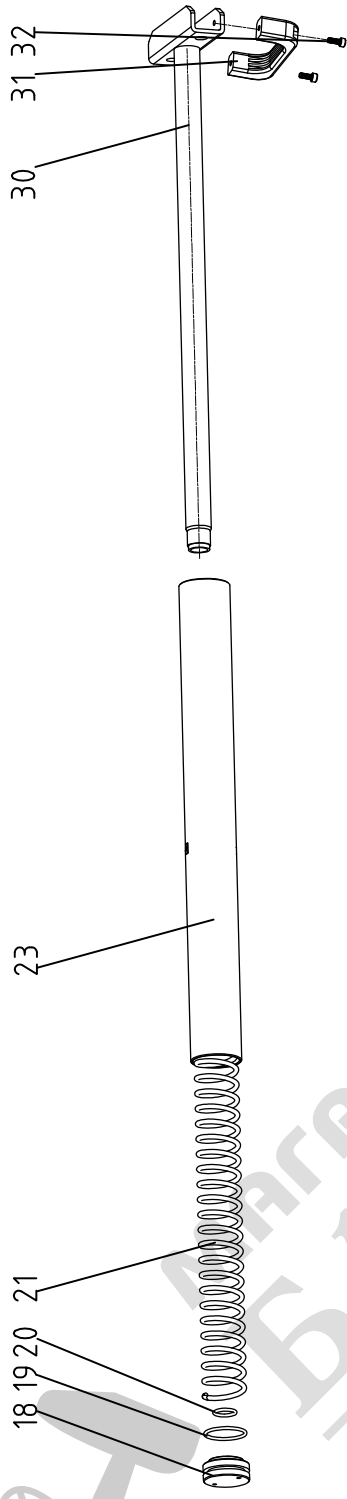
# LSEm 5001 complete overview



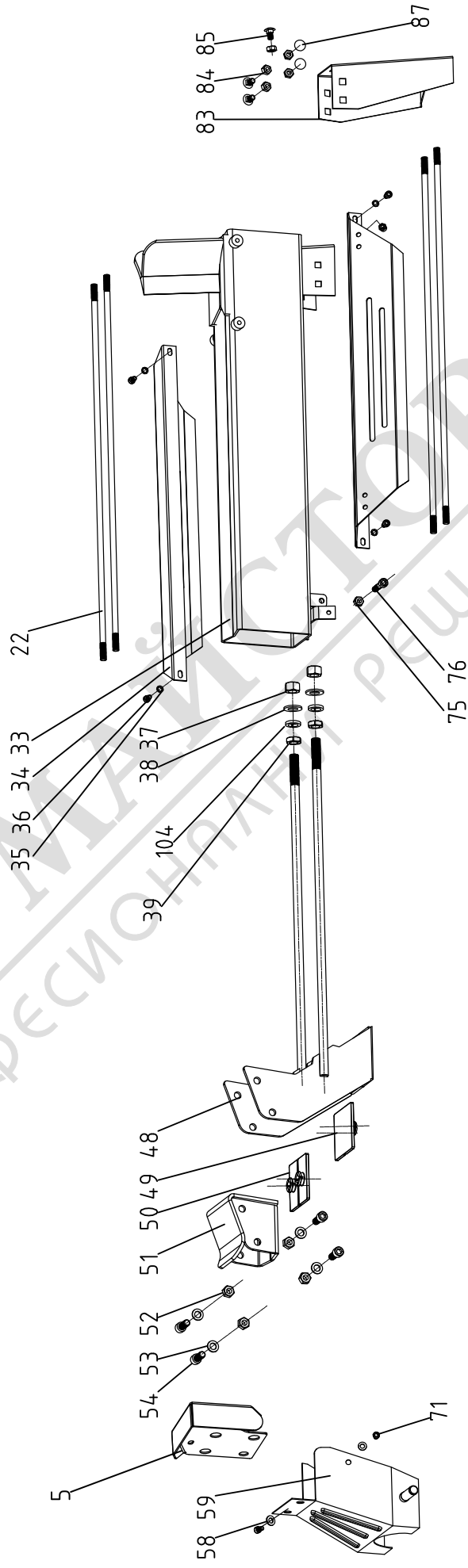
МАЙСТОРА®  
ПРОФЕСИОНАЛНИ РЕШЕНИЯ

# LSEm 5001 main parts

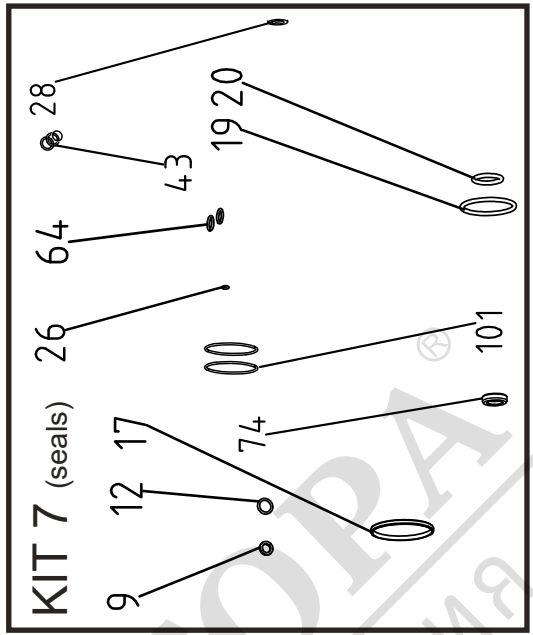
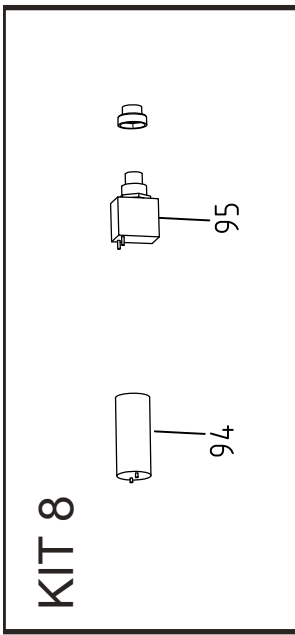
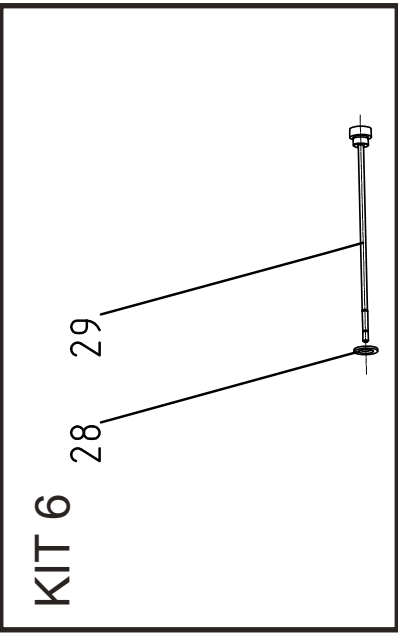
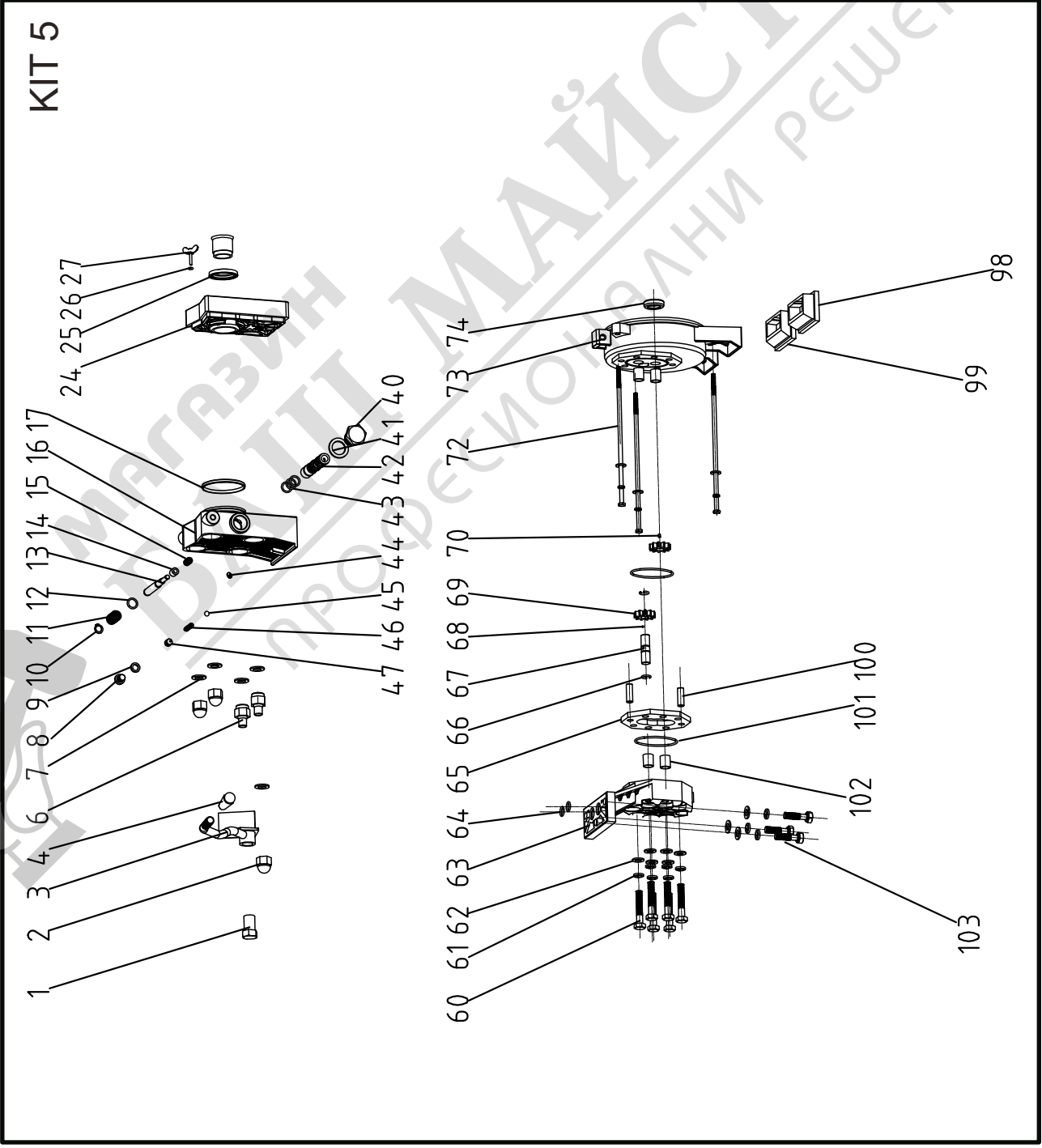
## KIT 2



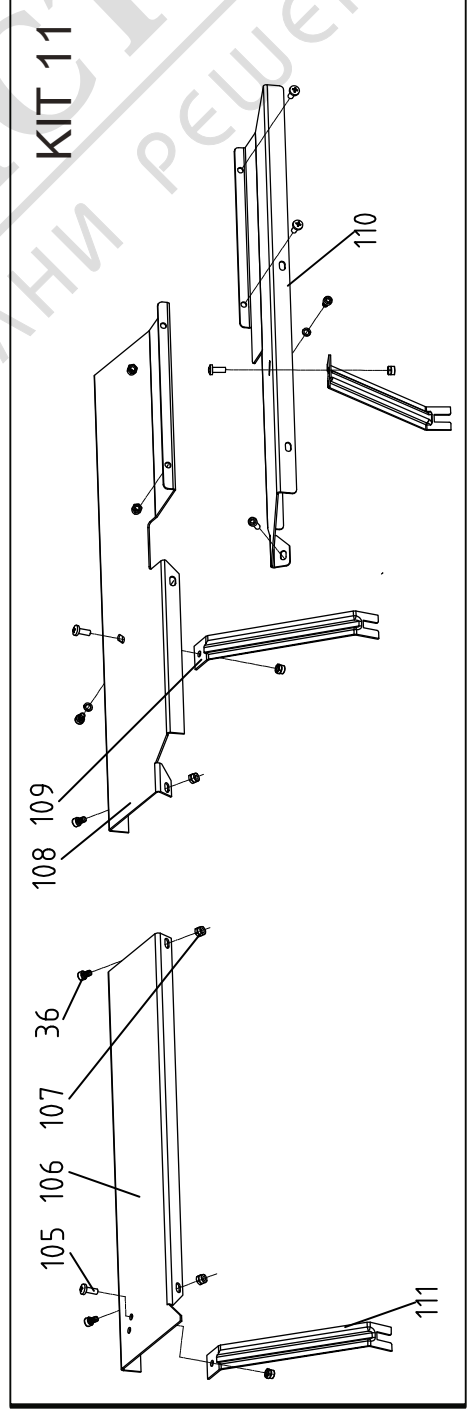
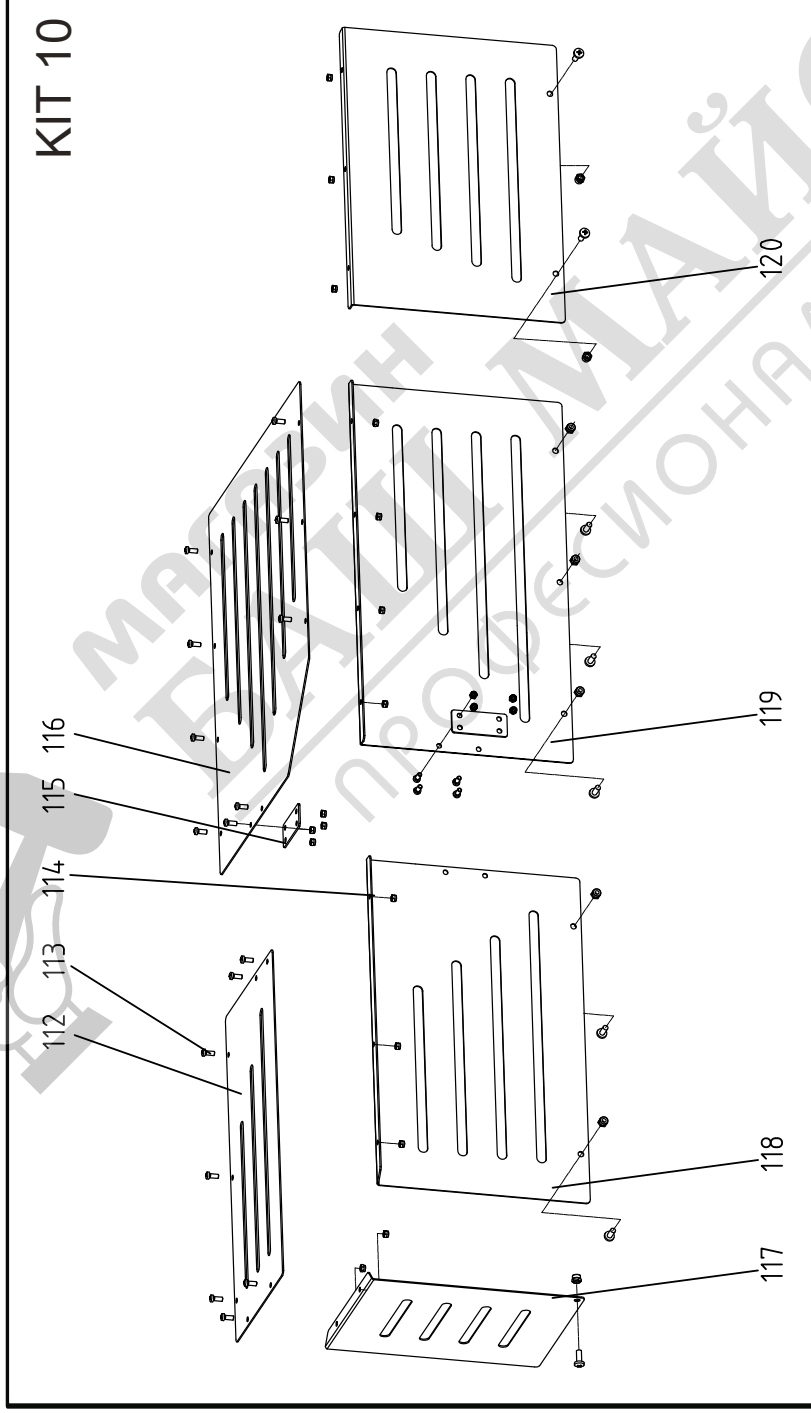
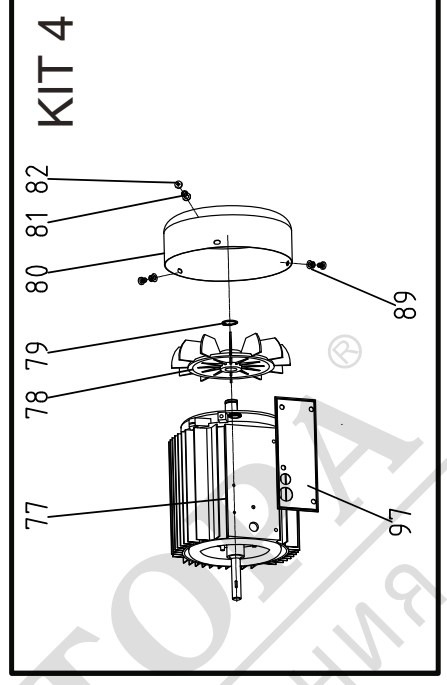
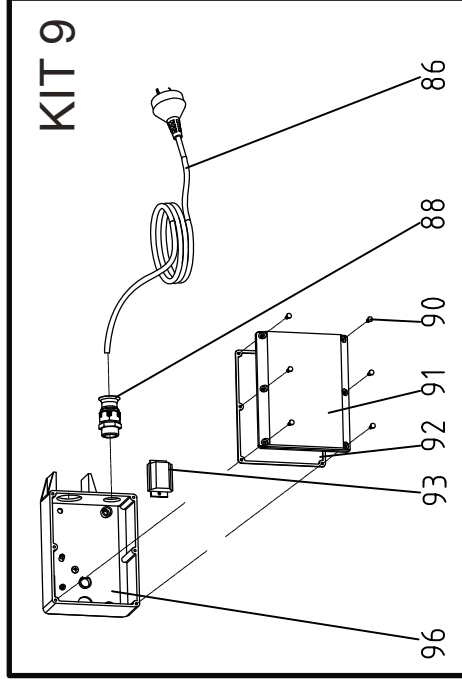
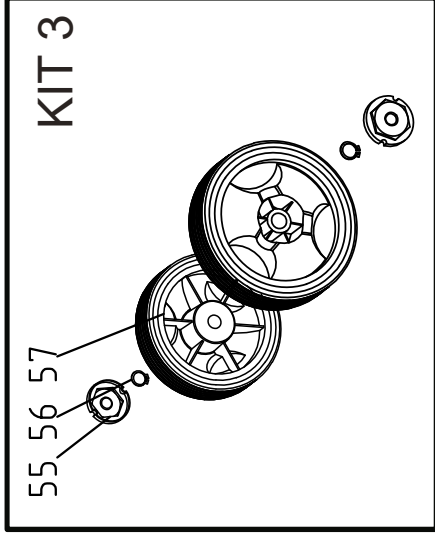
## KIT 1



# LSEm 5001 pump assy and seals



# LSEm 5001 pump assy and seals

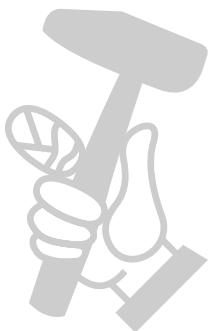




# REM POWER®

Rheinland Elektro Maschinen

NO.	REM CODE	Description	QTY
	<b>8805000001826</b>	<b>KIT 1</b>	
5		Lever Guard	1
22		Stud Bolt	4
33		Frame Tube	1
34		Lead Plank	2
35		Spring Washer 6	6
36		Screw M6x12	12
37		Nut M14	2
38		Flat Wahser 14	2
39		Hexagon Thin Nut M14	2
48		Log Pusher Connection Weldm	1
49		Plastic Insert 1	1
50		Plastic Insert 2	1
51		Log Pusher	1
52		Nut M10	4
53		Flat Wahser 10	5
54		Screw M10x25	4
58		Washer 6	1
59		Wheel Bracket	1
71		Washer 6	1
75		Nut M8	1
76		Screw M8x35	1
83		Leg	1
84		Nut M8	5
85		Bolt M8x12	3
87		Bolt M8x16	2
104		Spring Washer 14	2
	<b>8805000001826</b>	<b>KIT 2</b>	
18		Piston	1
19		Piston Ring 55	1
20		O-ring 32x3.5	1
21		Spring	1
23		Hydraulic Cylinder	1
30		Piston Rod	1
31		Lift Handle	1
32		Screw M6X16	2
	<b>8805000001832</b>	<b>KIT 3</b>	
55		Wheel Cap	2
56		Shaft Circlip A14	2
57		Wheel	2
	<b>8805000001835</b>	<b>KIT4</b>	
77		Motor	1
78		Motor Fan	1
79		Shaft Circlip A17	1
80		Motor Cover	1
81		Spring Washer 5	6
82		Screw M5X10	3
89		Washer 5	6
97		Waterproof Gasket	1
	<b>8805000001828</b>	<b>KIT 5</b>	
1		Lever Mount Nut	1
2		Cap Nut M10	3
3		Lever	1
4		Lever Knob	1
6		Customized Nut	2
7		Copper Gasket 10	4
8		Safety Valve Bolt M8	1
9		O-ring 5.5x2	1
10		Snap Washer 6	1
11		Valve Retract Spring	1
12		O-ring 6x1.5	1
13		Valve Core Rod	
14		Sliding Sleeve	1
42		Valve Sleeve	
15		Sliding Sleeve Sping	1
16		Alumium Cover ( Rear )	1
17		O-ring 50x2.65	1
24		Alumium Cover ( Front)	1
25		Piston Rod Seal 30	1
26		O-ring 7x1.9	1
27		Wing Bolt M5X12	1
40		Drain Plug	1
41		Wahser Groupware 16	1
43		O-ring 10x2	5
44		Adjusting Screw M5x8	1
45		Steel Ball 6	1



МАГАЗИН  
БАЛАНС  
РЕШЕНИЯ

ТОРА®



# REM POWER®

Rheinland Elektro Maschinen

46	Valve Spring	1
47	Adjusting Screw M8x8	1
60	Bolt M8x55	6
61	Spring Washer 8	9
62	Washer 8	9
63	Gear Pump Cover	1
64	O-ring 10.6x2.65	2
65	Gear Housing Plate	1
66	Circlip 10	2
67	Gear Shaft	1
68	Steel Ball 2.5	1
69	Pump Gear	2
70	Pin 2.5x4	1
72	Bolt M5x180	3
73	Motor Cover	1
74	Seal FB11x26x7	1
98	Motor Support Left Shoe	1
99	Motor Support Right Shoe	1
100	Pin 8X24	2
101	O-ring 46.2x1.8	2
102	Sliding Sleeve	4
103	Bolt M8x30	3
	<b>8805000001829</b>	<b>KIT 6</b>
28	Wahser Groupware 14	1
29	Dipstick	1
	<b>8805000001830</b>	<b>KIT 7</b>
9	O-ring 5.5x2	1
12	O-ring 6x1.5	1
17	O-ring 50x2.65	1
19	Piston Ring 55	1
20	O-ring 32x3.5	1
26	O-ring 7x1.9	1
28	Wahser Groupware 14	1
43	O-ring 10x2	5
64	O-ring 10.6x2.65	2
74	Seal FB11x26x7	1
101	O-ring 46.2x1.8	2
	<b>KIT 8</b>	
94	Capacitor	1
95	Switch	1
	<b>8805000001833</b>	<b>KIT 9</b>
86	Cable & Plug	1
88	Cable Gland	1
90	Screw M4X10	11
91	Switch Box Cover	1
92	Airproof Gasket	1
93	Connection Terminal	1
96	Switch Box	1
	<b>8805000001831</b>	<b>KIT 10</b>
112	Top Guard Plate 2	1
113	Screw M5x12	20
114	Locknut M5	20
115	Plate connector	2
116	Top Guard Plate 1	1
117	Left Guard Plate	1
118	Rear Guard Plate 2	1
119	Rear Guard Plate 1	1
120	Front Guard Plate	1
	<b>8805000001834</b>	<b>KIT 11</b>
36	Screw M6x12	12
105	Screw M6X12	13
106	Guard Bottom Plate	1
107	Locknut M6	17
108	Log Tray 1	1
109	Support Strut 1	2
110	Log Tray 2	1
111	Support Strut 2	1



МАГАСТРА  
БАЛТИЙСКИЕ  
РЕШЕНИЯ