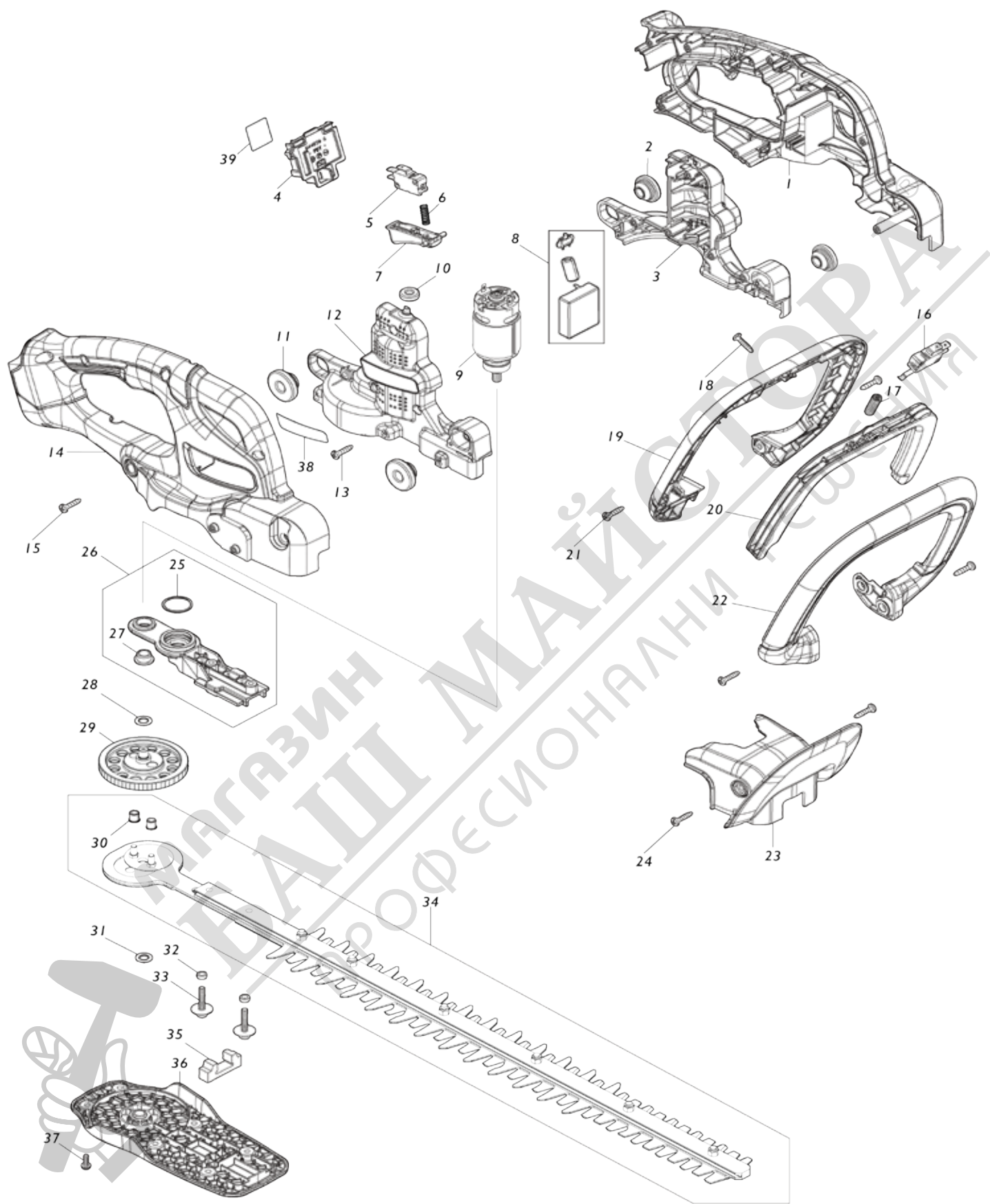


Model No.DUH507 Cordless Hedge Trimmer



| | | | | | | |
|-------|-----------|----------------------------------|---|---|---|--|
| 021-1 | 265B67-9 | Binding head tapping screw 4X1 8 | O | 4 | | |
| 022 | 413M88-3 | Front grip E | | 1 | | |
| 023 | 413M82-5 | Protector | | 1 | | |
| 024 | 266326-2 | Binding head tapping screw 4X1 8 | | 2 | * | |
| 024-1 | 265B67-9 | Binding head tapping screw 4X1 8 | O | 2 | | |
| 025 | 213961-7 | O-ring 22 | | 1 | | |
| 026 | 136928-7 | Bearing housing assembly | | 1 | | |
| 026 | | INC. 25,27 | | | | |
| 027 | 214064-0 | Plane bearing 8 | | 1 | | |
| 028 | 253215-0 | Flat washer 8 | | 1 | | |
| 029 | 136843-5 | Gear assembly | | 1 | | |
| 030 | 262570-9 | Nylon sleeve 5 | | 2 | | |
| 031 | 253215-0 | Flat washer 8 | | 1 | | |
| 032 | 257802-7 | Ring 5 | | 2 | | |
| 033 | 265A89-3 | Hex. socket head bolt M5X25 WR | | 2 | | |
| 034 | 1911J1-6 | Shear blade 500E set | | 1 | | |
| C10 | 188605-7 | Oil vessel set | | 1 | | |
| 034 | | INC. 30 | | | | |
| 035 | 422904-0 | Dust guard | | 1 | | |
| 036 | 413M87-5 | Under cover | | 1 | | |
| 037 | 911118-1 | Pan head screw M4X12 WR | | 6 | | |
| 038 | 8582M6-3 | Name plate DUH507 | | 1 | | |
| 039 | 8582M9-7 | Serial No. label DUH507 | | 1 | | |
| A01 | 413L91-8 | Blade cover 500 | | 1 | | |
| A02 | 450128-8 | Battery cover | | 1 | | |
| A03B | ***DC18WC | DC18WC BATTERY CHARGER | | 1 | | |
| A03B | | COMPO-PARTS | | | | |
| A03C | ***DC18SD | DC18SD BATTERY CHARGER | | 1 | | |
| A03C | | COMPO-PARTS | | | | |
| A04 | 197600-6 | Battery BL1830B set | | 1 | | |
| E01 | 800A43-6 | Sound 86dB label | | 1 | * | |
| E01-1 | 8022C7-3 | Sound 87dB label | < | 1 | | |
| F01 | 1910T1-0 | Chip receiver 500 set | | 1 | | |
| F02 | 1911J1-6 | Shear blade 500E set | | 1 | | |

Please state Parts No. when your order.

Print Date 03/23/2026

