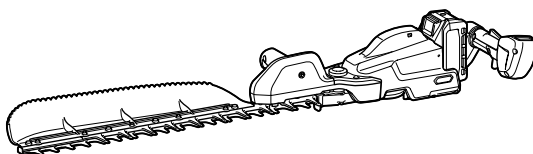




EN	Cordless Hedge Trimmer	INSTRUCTION MANUAL	8
FR	Taille-haie sans fil	MANUEL D'INSTRUCTIONS	18
DE	Akku-Heckenschere	BETRIEBSANLEITUNG	29
IT	Tagliasiepi a batteria	ISTRUZIONI PER L'USO	40
NL	Accuheggenschaar	GEBRUIKSAANWIJZING	51
ES	Cortasetos Inalámbrico	MANUAL DE INSTRUCCIONES	62
PT	Aparador De Cerca Viva a Bateria	MANUAL DE INSTRUÇÕES	73
DA	Akku hækketrimmer	BRUGSANVISNING	84
EL	Φορητό ψαλίδι μπορντούρας	ΕΓΧΕΙΡΙΔΙΟ ΟΔΗΓΙΩΝ	94
TR	Akülü Çit Budama	KULLANMA KILAVUZU	106

UH013G
UH014G



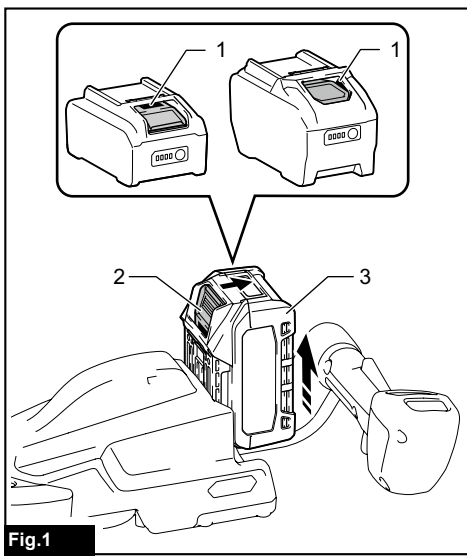


Fig.1

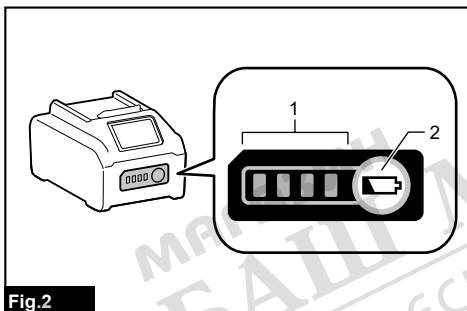


Fig.2

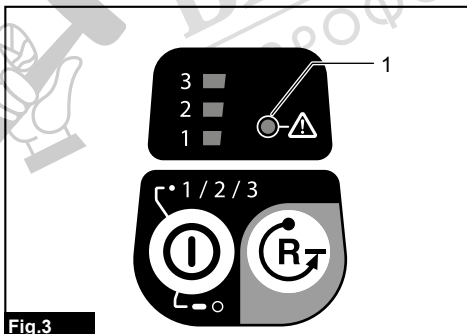


Fig.3

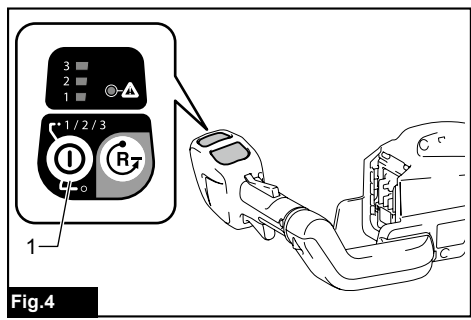


Fig.4

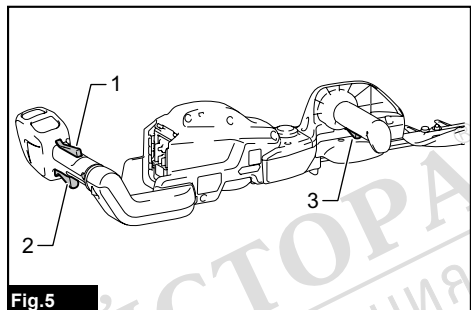


Fig.5

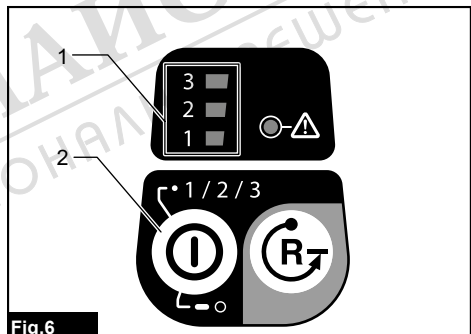


Fig.6

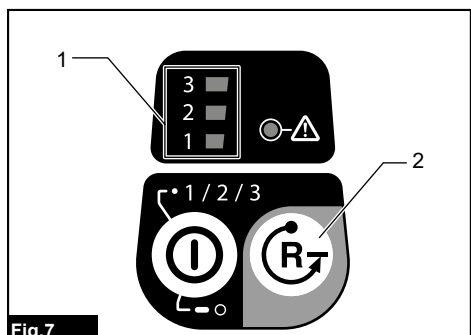
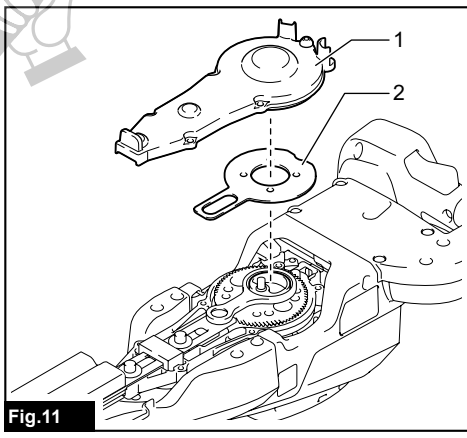
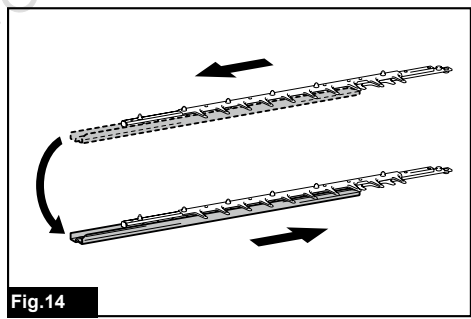
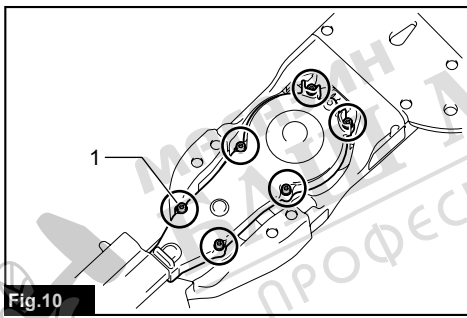
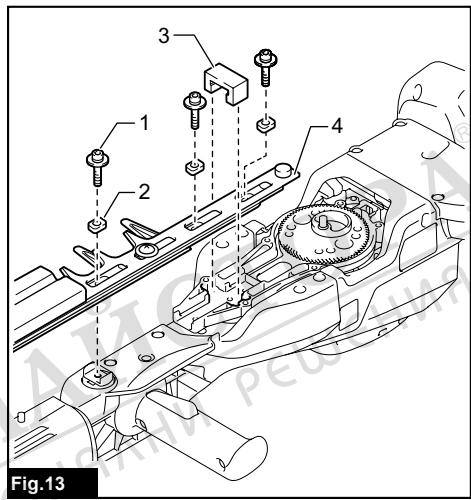
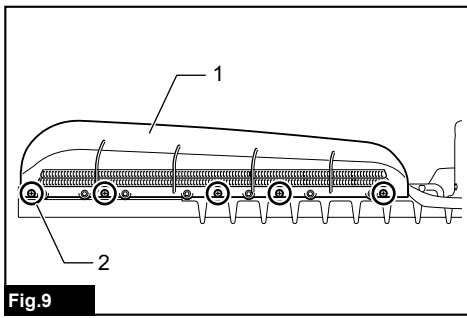
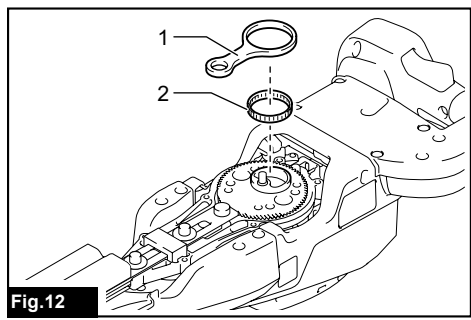
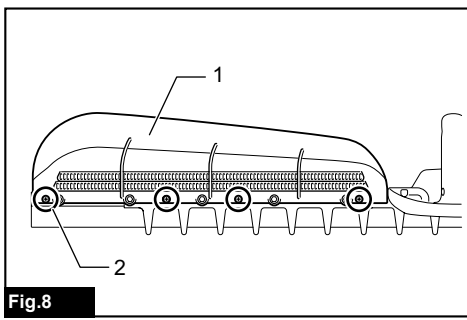


Fig.7



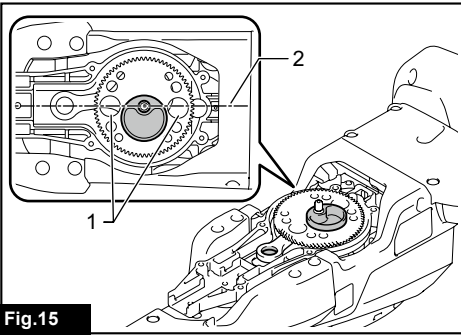


Fig.15

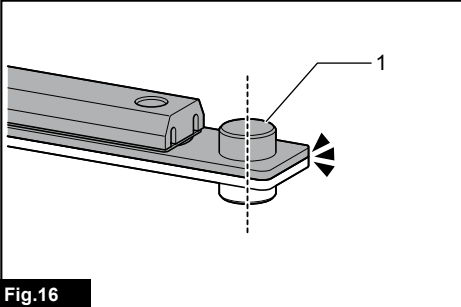


Fig.16

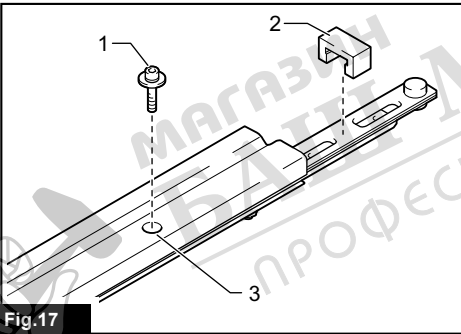


Fig.17

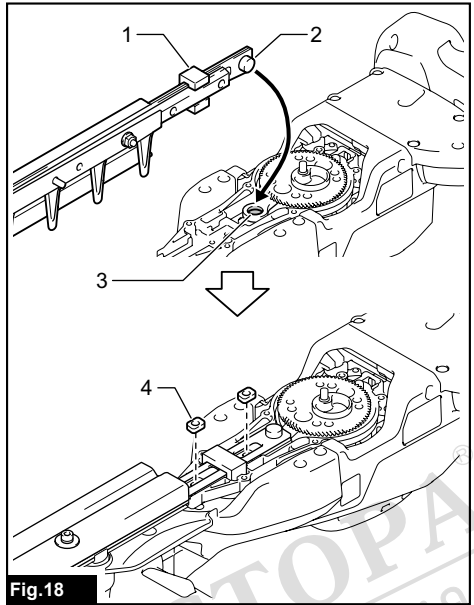


Fig.18

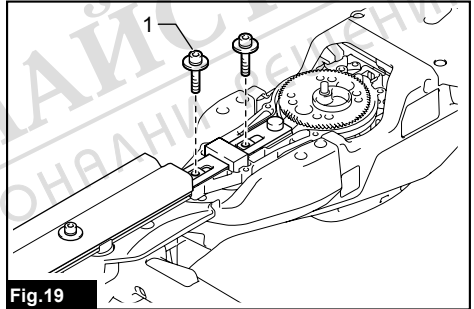


Fig.19

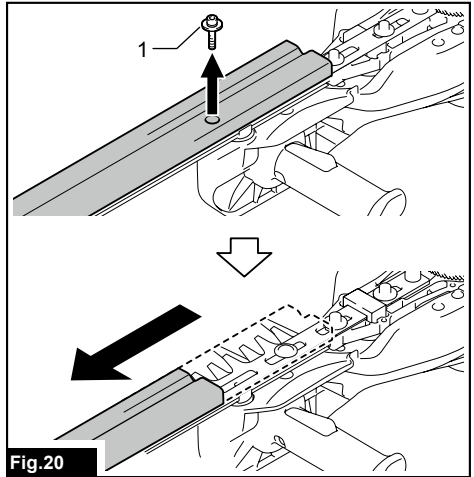


Fig.20

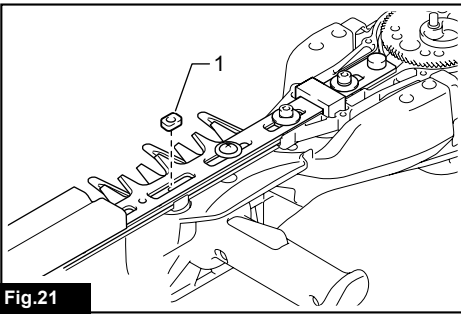


Fig.21

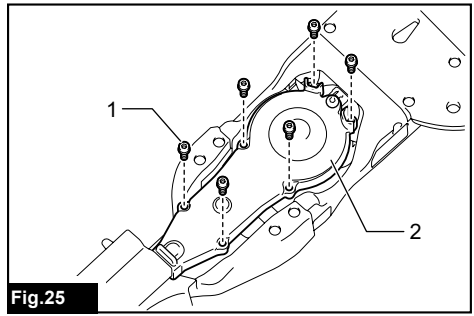


Fig.25

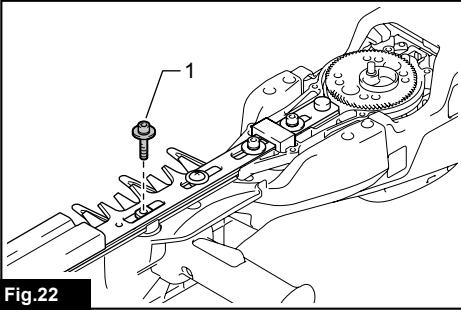


Fig.22

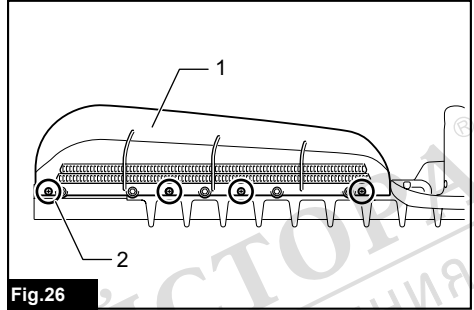


Fig.26

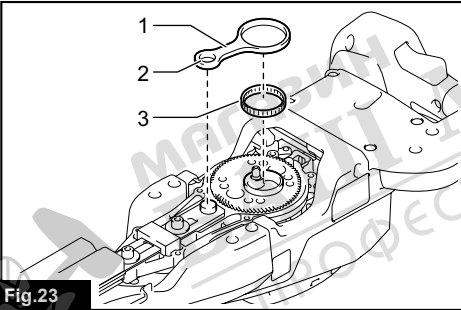


Fig.23

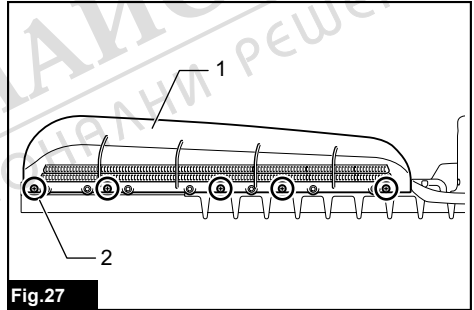


Fig.27

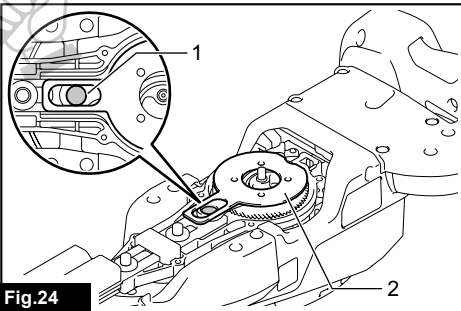


Fig.24

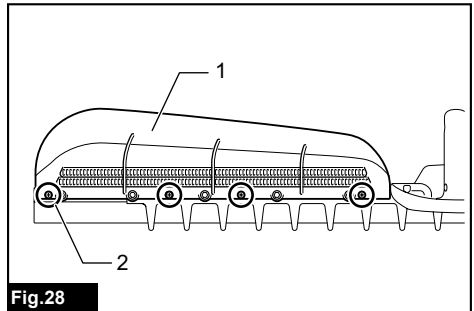


Fig.28

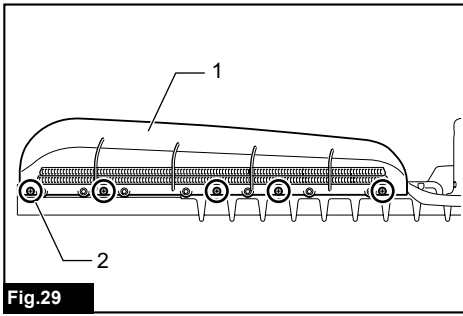


Fig.29

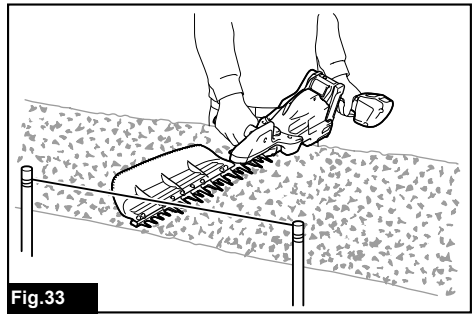


Fig.33

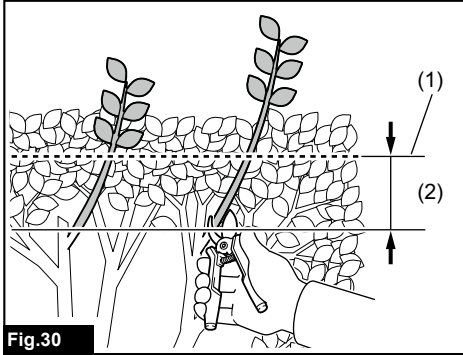


Fig.30



Fig.34

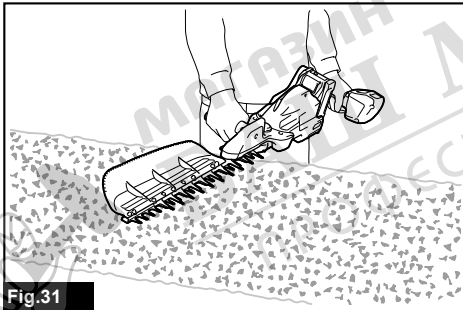


Fig.31

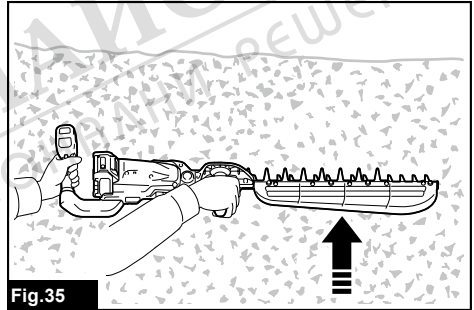


Fig.35

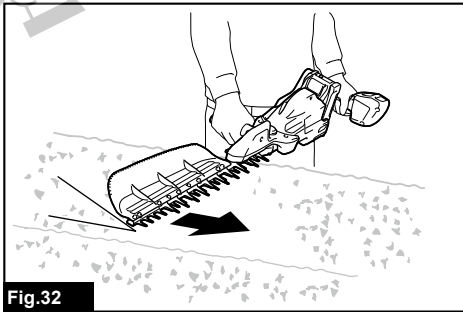


Fig.32

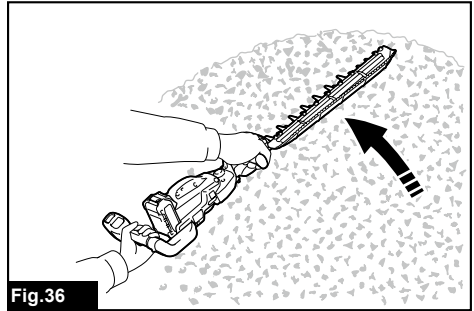
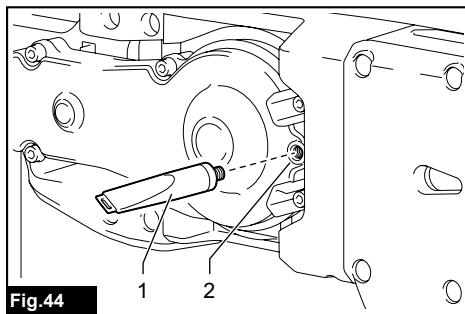
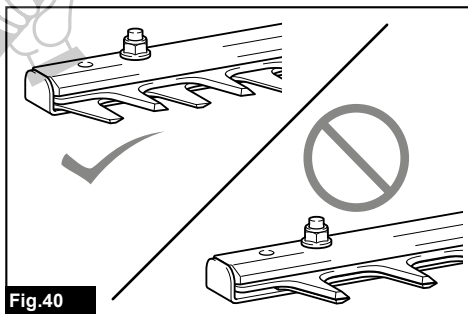
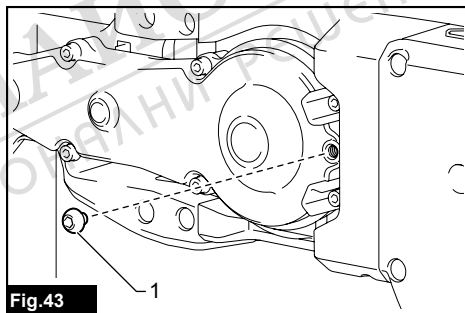
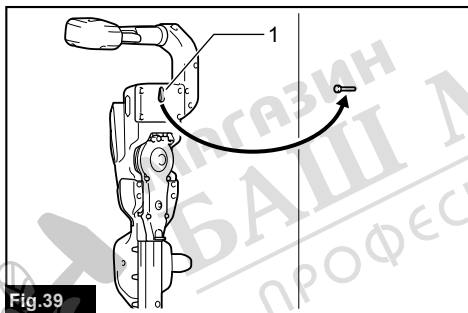
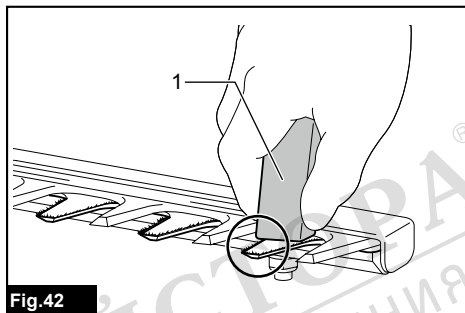
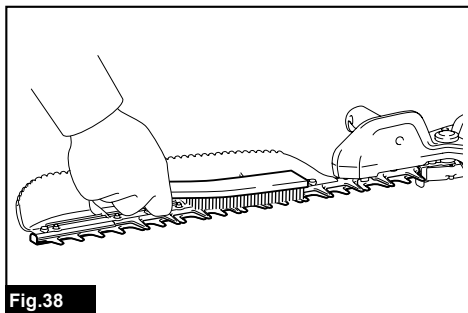
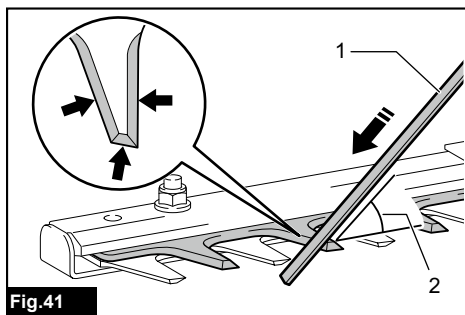
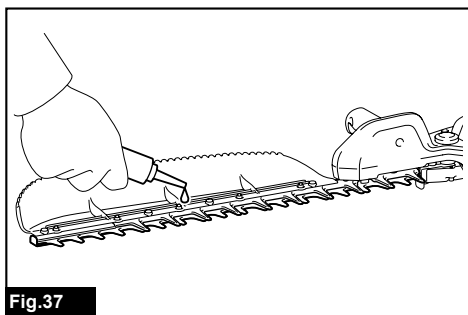


Fig.36



SPECIFICATIONS

Model:	UH013G	UH014G
Blade length	600 mm	750 mm
Strokes per minute	2,000 / 3,600 / 5,000 min ⁻¹	
Overall length	1,085 mm	1,225 mm
Rated voltage	D.C. 36 V - 40 V max	
Net weight	3.9 - 4.5 kg	4.0 - 4.7 kg
Protection degree	IPX4	

- Due to our continuing program of research and development, the specifications herein are subject to change without notice.
- Specifications may differ from country to country.
- The weight may differ depending on the attachment(s), including the battery cartridge. The lightest and heaviest combination, according to EPTA-Procedure 01/2014, are shown in the table.

Applicable battery cartridge and charger

Battery cartridge	BL4020* / BL4025* / BL4040* / BL4050F * : Recommended battery
Charger	DC40RA / DC40RB / DC40RC

- Some of the battery cartridges and chargers listed above may not be available depending on your region of residence.

⚠ WARNING: Only use the battery cartridges and chargers listed above. Use of any other battery cartridges and chargers may cause injury and/or fire.




Recommended cord connected power source

Portable power pack	PDC01 / PDC1200
---------------------	-----------------

- The cord connected power source(s) listed above may not be available depending on your region of residence.
- Before using the cord connected power source, read instruction and cautionary markings on them.

Symbols

The followings show the symbols which may be used for the equipment. Be sure that you understand their meaning before use.

	Read instruction manual.
	DANGER - Keep hands away from blade.
	Wear safety glasses.



Only for EU countries

Due to the presence of hazardous components in the equipment, waste electrical and electronic equipment, accumulators and batteries may have a negative impact on the environment and human health. Do not dispose of electrical and electronic appliances or batteries with household waste!

In accordance with the European Directive on waste electrical and electronic equipment and on accumulators and batteries and waste accumulators and batteries, as well as their adaptation to national law, waste electrical equipment, batteries and accumulators should be stored separately and delivered to a separate collection point for municipal waste, operating in accordance with the regulations on environmental protection.

This is indicated by the symbol of the crossed-out wheeled bin placed on the equipment.

Intended use

The tool is intended for trimming hedges.

Noise

Applicable standard : EN62841-4-2

Model	Sound pressure level		Sound power level	
	L_{pA} (dB(A))	Uncertainty K (dB(A))	L_{wA} (dB(A))	Uncertainty K (dB(A))
UH013G	80	3	91	3
UH014G	81	3	92	3

NOTE: The declared noise emission value(s) has been measured in accordance with a standard test method and may be used for comparing one tool with another.

NOTE: The declared noise emission value(s) may also be used in a preliminary assessment of exposure.

⚠WARNING: Wear ear protection.

⚠WARNING: The noise emission during actual use of the power tool can differ from the declared value(s) depending on the ways in which the tool is used especially what kind of workpiece is processed.

⚠WARNING: Be sure to identify safety measures to protect the operator that are based on an estimation of exposure in the actual conditions of use (taking account of all parts of the operating cycle such as the times when the tool is switched off and when it is running idle in addition to the trigger time).

Vibration

The vibration total value (tri-axial vector sum) determined according to EN62841-4-2:

Model	Front handle		Rear handle	
	a_h (m/s ²)	Uncertainty K (m/s ²)	a_h (m/s ²)	Uncertainty K (m/s ²)
UH013G	2.5	1.5	2.5 m/s ² or less	1.5
UH014G	3.2	1.5	2.5 m/s ² or less	1.5

NOTE: The declared vibration total value(s) has been measured in accordance with a standard test method and may be used for comparing one tool with another.

NOTE: The declared vibration total value(s) may also be used in a preliminary assessment of exposure.

⚠WARNING: The vibration emission during actual use of the power tool can differ from the declared value(s) depending on the ways in which the tool is used especially what kind of workpiece is processed.

⚠WARNING: Be sure to identify safety measures to protect the operator that are based on an estimation of exposure in the actual conditions of use (taking account of all parts of the operating cycle such as the times when the tool is switched off and when it is running idle in addition to the trigger time).

EC Declaration of Conformity

For European countries only

The EC declaration of conformity is included as Annex A to this instruction manual.

SAFETY WARNINGS

General power tool safety warnings

⚠WARNING: Read all safety warnings, instructions, illustrations and specifications provided with this power tool. Failure to follow all instructions listed below may result in electric shock, fire and/or serious injury.

Save all warnings and instructions for future reference.

The term "power tool" in the warnings refers to your mains-operated (corded) power tool or battery-operated (cordless) power tool.

Cordless Hedge Trimmer Safety Warnings

1. **Keep all parts of the body away from the blade. Do not remove cut material or hold material to be cut when blades are moving.** Blades continue to move after the switch is turned off. A moment of inattention while operating the hedge trimmer may result in serious personal injury.
2. **Carry the hedge trimmer by the handle with the blade stopped and taking care not to operate any power switch.** Proper carrying of the hedge trimmer will decrease the risk of inadvertent starting and resultant personal injury from the blades.

3. **When transporting or storing the hedge trimmer, always fit the blade cover.** Proper handling of the hedge trimmer will decrease the risk of personal injury from the blades.
4. **When clearing jammed material or servicing the unit, make sure all power switches are off and the battery pack is removed or disconnected.** Unexpected actuation of the hedge trimmer while clearing jammed material or servicing may result in serious personal injury.
5. **Hold the hedge trimmer by insulated gripping surfaces only, because the blade may contact hidden wiring.** Blades contacting a "live" wire may make exposed metal parts of the hedge trimmer "live" and could give the operator an electric shock.
6. **Keep all power cords and cables away from cutting area.** Power cords or cables may be hidden in hedges or bushes and can be accidentally cut by the blade.
7. **Do not use the hedge trimmer in bad weather conditions, especially when there is a risk of lightning.** This decreases the risk of being struck by lightning.
7. **Before checking the shear blades, taking care of faults, or removing material caught in the shear blades, always switch off the tool and remove the battery cartridge.**
8. **Never point the shear blades to yourself or others.**
9. **If the blades stop moving due to the stuck of foreign objects between the blades during operation, switch off the tool and remove the battery cartridge, and then remove the foreign objects using tools such as pliers.** Removing the foreign objects by hand may cause an injury for the reason that the blades may move in reaction to removing the foreign objects.
10. **When you use the tool on muddy ground, wet slope, or slippery place, pay attention to your footing.**
11. **Do not submerge the tool into a puddle.**
12. **Do not leave the tool unattended outdoors in the rain.**

Additional Safety Instructions

Preparation

1. **Check the hedges and bushes for foreign objects, such as wire fences or hidden wiring before operating the tool.**
2. **The tool must not be used by children or young persons under 18 years of age.** Young persons over 16 years of age may be exempted from this restriction if they are undergoing training under the supervision of an expert.
3. **First-time users should have an experienced user show them how to use the tool.**
4. **Use the tool only if you are in good physical condition.** If you are tired, your attention will be reduced. Be especially careful at the end of a working day. Perform all work calmly and carefully. The user is responsible for all damages to third parties.
5. **Never use the tool when under the influence of alcohol, drugs or medication.**
6. **Work gloves of stout leather are part of the basic equipment of the tool and must always be worn when working with it. Also wear sturdy shoes with anti-skid soles.**
7. **Before starting work check to make sure that the tool is in good and safe working order. Ensure guards are fitted properly. The tool must not be used unless fully assembled.**

Operation

1. **Hold the tool firmly with both hands when using the tool.**
2. **The tool is intended to be used by the operator at ground level. Do not use the tool on ladders or any other unstable support.**
3. **DANGER - Keep hands away from blade.** Contact with blade will result in serious personal injury.
4. **Make sure you have a secure footing before starting operation.**
5. **Do not operate the tool at no-load unnecessarily.**
6. **Immediately switch off the tool and remove the battery cartridge if the shear blades should come into contact with a fence or other hard object. Check the blades for damage, and if damaged, replace the blades immediately.**

Electrical and battery safety

1. **Avoid dangerous environment. Don't use the tool in dump or wet locations or expose it to rain.** Water entering the tool will increase the risk of electric shock.
2. **Do not dispose of the battery(ies) in a fire.** The cell may explode. Check with local codes for possible special disposal instructions.
3. **Do not open or mutilate the battery(ies).** Released electrolyte is corrosive and may cause damage to the eyes or skin. It may be toxic if swallowed.
4. **Do not charge battery in rain, or in wet locations.**
5. **Do not charge the battery outdoors.**
6. **Do not handle charger, including charger plug, and charger terminals with wet hands.**
7. **Do not replace the battery with wet hands.**
8. **Do not replace the battery in the rain.**
9. **Do not wet the terminal of battery with liquid such as water, or submerge the battery. Do not leave the battery in the rain, nor charge, use, or store the battery in a damp or wet place.** If the terminal gets wet or liquid enters inside of battery, the battery may be short circuited and there is a risk of overheat, fire, or explosion.
10. **After removing the battery from the tool or charger, be sure to attach the battery cover to the battery and store it in a dry place.**
11. **If the battery cartridge gets wet, drain the water inside and then wipe it with a dry cloth. Dry the battery cartridge completely in a dry place before use.**

Maintenance and storage

1. **Switch off the tool and remove the battery cartridge before doing any maintenance work.**
2. **When moving the tool to another location, including during work, always remove the battery cartridge and put the blade cover on the shear blades. Never carry or transport the tool with the blades running. Never grasp the blades with your hands.**
3. **Clean the tool and especially the shear blades after use, and before putting the tool into storage for extended periods. Lightly oil the blades and put on the blade cover.**
4. **Store the tool with the blade cover on, in a dry room. Keep it out of reach of children. Never store the tool outdoors.**

5. Do not dispose of the battery(ies) in a fire. The cell may explode. Check with local codes for possible special disposal instructions.
6. Do not open or mutilate the battery(ies). Released electrolyte is corrosive and may cause damage to the eyes or skin. It may be toxic if swallowed.
7. Do not charge battery in rain, or in wet locations.
8. When storing the tool, avoid direct sunlight and rain, and store it in a place where it does not get hot or humid.
10. The contained lithium-ion batteries are subject to the Dangerous Goods Legislation requirements.
For commercial transports e.g. by third parties, forwarding agents, special requirement on packaging and labeling must be observed.
For preparation of the item being shipped, consulting an expert for hazardous material is required. Please also observe possibly more detailed national regulations.
Tape or mask off open contacts and pack up the battery in such a manner that it cannot move around in the packaging.

SAVE THESE INSTRUCTIONS.

⚠WARNING: DO NOT let comfort or familiarity with product (gained from repeated use) replace strict adherence to safety rules for the subject product. MISUSE or failure to follow the safety rules stated in this instruction manual may cause serious personal injury.

Important safety instructions for battery cartridge

1. Before using battery cartridge, read all instructions and cautionary markings on (1) battery charger, (2) battery, and (3) product using battery.
2. Do not disassemble or tamper the battery cartridge. It may result in a fire, excessive heat, or explosion.
3. If operating time has become excessively shorter, stop operating immediately. It may result in a risk of overheating, possible burns and even an explosion.
4. If electrolyte gets into your eyes, rinse them out with clear water and seek medical attention right away. It may result in loss of your eyesight.
5. Do not short the battery cartridge:
 - (1) Do not touch the terminals with any conductive material.
 - (2) Avoid storing battery cartridge in a container with other metal objects such as nails, coins, etc.
 - (3) Do not expose battery cartridge to water or rain.

A battery short can cause a large current flow, overheating, possible burns and even a breakdown.
6. Do not store and use the tool and battery cartridge in locations where the temperature may reach or exceed 50 °C (122 °F).
7. Do not incinerate the battery cartridge even if it is severely damaged or is completely worn out. The battery cartridge can explode in a fire.
8. Do not nail, cut, crush, throw, drop the battery cartridge, or hit against a hard object to the battery cartridge. Such conduct may result in a fire, excessive heat, or explosion.
9. Do not use a damaged battery.
11. When disposing the battery cartridge, remove it from the tool and dispose of it in a safe place. Follow your local regulations relating to disposal of battery.
12. Use the batteries only with the products specified by Makita. Installing the batteries to non-compliant products may result in a fire, excessive heat, explosion, or leak of electrolyte.
13. If the tool is not used for a long period of time, the battery must be removed from the tool.
14. During and after use, the battery cartridge may take on heat which can cause burns or low temperature burns. Pay attention to the handling of hot battery cartridges.
15. Do not touch the terminal of the tool immediately after use as it may get hot enough to cause burns.
16. Do not allow chips, dust, or soil stuck into the terminals, holes, and grooves of the battery cartridge. It may cause heating, catching fire, burst and malfunction of the tool or battery cartridge, resulting in burns or personal injury.
17. Unless the tool supports the use near high-voltage electrical power lines, do not use the battery cartridge near a high-voltage electrical power lines. It may result in a malfunction or breakdown of the tool or battery cartridge.
18. Keep the battery away from children.

SAVE THESE INSTRUCTIONS.

⚠CAUTION: Only use genuine Makita batteries. Use of non-genuine Makita batteries, or batteries that have been altered, may result in the battery bursting causing fires, personal injury and damage. It will also void the Makita warranty for the Makita tool and charger.

Tips for maintaining maximum battery life

1. Charge the battery cartridge before completely discharged. Always stop tool operation and charge the battery cartridge when you notice less tool power.
2. Never recharge a fully charged battery cartridge. Overcharging shortens the battery service life.
3. Charge the battery cartridge with room temperature at 10 °C - 40 °C (50 °F - 104 °F). Let a hot battery cartridge cool down before charging it.
4. When not using the battery cartridge, remove it from the tool or the charger.
5. Charge the battery cartridge if you do not use it for a long period (more than six months).

FUNCTIONAL DESCRIPTION

CAUTION: Always be sure that the tool is switched off and the battery cartridge is removed before adjusting or checking function on the tool.

Installing or removing battery cartridge

CAUTION: Always switch off the tool before installing or removing of the battery cartridge.

CAUTION: Hold the tool and the battery cartridge firmly when installing or removing battery cartridge. Failure to hold the tool and the battery cartridge firmly may cause them to slip off your hands and result in damage to the tool and battery cartridge and a personal injury.

► Fig.1: 1. Red indicator 2. Button 3. Battery cartridge

To remove the battery cartridge, slide it from the tool while sliding the button on the front of the cartridge.

To install the battery cartridge, align the tongue on the battery cartridge with the groove in the housing and slip it into place. Insert it all the way until it locks in place with a little click. If you can see the red indicator as shown in the figure, it is not locked completely.

CAUTION: Always install the battery cartridge fully until the red indicator cannot be seen. If not, it may accidentally fall out of the tool, causing injury to you or someone around you.

CAUTION: Do not install the battery cartridge forcibly. If the cartridge does not slide in easily, it is not being inserted correctly.

Indicating the remaining battery capacity

Press the check button on the battery cartridge to indicate the remaining battery capacity. The indicator lamps light up for a few seconds.

► Fig.2: 1. Indicator lamps 2. Check button

Indicator lamps			Remaining capacity
Lighted	Off	Blinking	
■ ■ ■ ■			75% to 100%
■ ■ ■ □			50% to 75%
■ ■ □ □			25% to 50%
■ □ □ □			0% to 25%
▬ □ □ □			Charge the battery.
■ ■ □ □			The battery may have malfunctioned.
□ □ ■ ■			

NOTE: Depending on the conditions of use and the ambient temperature, the indication may differ slightly from the actual capacity.

NOTE: The first (far left) indicator lamp will blink when the battery protection system works.

Tool / battery protection system

The tool is equipped with a tool/battery protection system. This system automatically cuts off power to the motor to extend tool and battery life. The tool will automatically stop during operation if the tool is placed under one of the following conditions:

► Fig.3: 1. Caution lamp

Caution lamp		Status
Color	● On ● Blinking	
Green	●	Overload
Red	● (tool) / ● (battery)	Overheat
Red	●	Over discharge

NOTICE: Depending on the usage conditions, the tool automatically stops without any indication if the branches or debris are entangled in the tool. In this case, switch off the tool and remove the battery cartridge, and then remove entangled branches or debris using tools such as pliers. After removing the branches or debris, install the battery cartridge and turn on the tool again.

Overload protection

If the tool or battery is overloaded by entangled branches or other debris, the tool automatically stops and the caution lamp starts blinking in green.

In this situation, turn the tool off and stop the application that caused the tool to become overloaded. Then turn the tool on to restart.

Overheat protection for tool or battery

If the tool or battery cartridge is overheated, the tool stops automatically. When the tool is overheated, the caution lamp lights up in red. When the battery cartridge is overheated, the caution lamp blinks in red. Let the tool and/or battery cool down before turning the tool on again.

Overdischarge protection

When the battery capacity becomes low, the tool stops automatically and the caution lamp starts blinking in red. If the tool does not operate even when the switches are operated, remove the battery cartridge from the tool and charge it.

Protections against other causes

Protection system is also designed for other causes that could damage the tool and allows the tool to stop automatically. Take all the following steps to clear the causes, when the tool has been brought to a temporary halt or stop in operation.

1. Turn the tool off, and then turn it on again to restart.
2. Charge the battery(ies) or replace it/them with recharged battery(ies).
3. Let the machine and battery(ies) cool down.

If no improvement can be found by restoring protection system, then contact your local Makita Service Center.

Power switch action

⚠ WARNING: For your safety, this tool is equipped with lever which prevents the tool from unintended starting. NEVER use the tool if it runs when you simply pull the switch triggers without pressing the lever. Return the tool to our authorized service center for proper repairs BEFORE further usage.

⚠ WARNING: NEVER tape down or defeat purpose and function of the lever.

⚠ WARNING: Before installing the battery cartridge on the tool, always check to see that the switch triggers and lever actuate properly and return to the "OFF" position when released. Operating a tool with a switch that does not actuate properly can lead to loss of control and serious personal injury.

⚠ CAUTION: Never put your finger on the switch triggers when carrying. The tool may start unintentionally and cause injury.

NOTICE: Do not pull the switch trigger hard without pressing the lever. This can cause switch breakage.

Press the main power button to turn on the tool. To turn off the tool, press and hold the main power button until the speed indicators go off.

► Fig.4: 1. Main power button

NOTE: The caution lamp blinks if the switch trigger is pulled under unoperatable conditions. The caution lamp blinks if you turn on the main power switch while holding down the lever and the switch trigger.

NOTE: This tool employs the auto power-off function. To avoid unintentional start up, the main power switch will automatically shut down when the switch trigger is not pulled for a certain period after the main power switch is turned on.







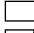


To prevent the switch trigger from being accidentally pulled, the lever is provided. To start the tool, pull the front switch trigger, and then pull the rear switch trigger while pressing the lever. When you release either of the switch triggers, the tool stops.

► Fig.5: 1. Lever 2. Rear switch trigger 3. Front switch trigger

Speed adjusting

You can adjust the tool speed by pressing the main power button. Each time you press the main power button, the level of speed changes.

► Fig.6: 1. Speed indicator 2. Main power button

Speed indicator	Mode	Stroke speed
3  2  1 	High	5,000 min ⁻¹
3  2  1 	Medium	3,600 min ⁻¹
3  2  1 	Low	2,000 min ⁻¹

Reverse button for debris removal

⚠ WARNING: If the entangled branches or debris cannot be removed by the reverse function, switch off the tool and remove the entangled branches or debris using tools such as pliers. Failure to switch off the tool and remove the battery cartridge may result in serious personal injury from accidental start-up. Removing the entangled branches or debris by hand may cause an injury, since the shear blades may move in reaction to removing them.

This tool has a reverse button to change the direction of shear blades movement. It is only for removing branches and debris entangled in the tool.

To reverse the shear blades movement, press the reverse button when the shear blades have stopped, then pull the front switch trigger, and then pull the rear switch trigger while pressing the lever. The speed indicators start blinking, and the shear blades move in reverse direction.

When entangled branches and debris are removed, the tool returns to the regular movement and the speed indicators stop blinking and light up.

► Fig.7: 1. Speed indicator 2. Reverse button

NOTE: If the entangled branches or debris cannot be removed, release the switch triggers, then press the reverse button, and then pull the switch triggers until they are removed.

NOTE: If you tap the reverse button while the shear blades are still moving, the tool comes to stop and to be ready for reverse movement.

Electronic function

The tool is equipped with the electronic functions for easy operation.

- **Constant speed control**
The speed control function provides the constant rotation speed regardless of load conditions.
- **Electric brake**
This tool is equipped with an electric brake. If the tool consistently fails to quickly stop the shear blades after releasing the switch trigger, have the tool serviced at Makita Authorized Service Center.
- **Accidental re-start preventive function**
Even if you install the battery cartridge while pulling the switch trigger, the tool does not start. To start the tool, first release the switch trigger, and then pull the switch trigger.

ASSEMBLY

⚠ CAUTION: Always be sure that the tool is switched off and the battery cartridge is removed before carrying out any work on the tool.

⚠ CAUTION: When replacing the shear blades, always wear gloves so that your hands do not directly contact the blades.

NOTICE: When replacing the shear blades, do not wipe off grease from the gear and crank.

Installing or removing the shear blades

⚠ CAUTION: Attach the blade cover before removing or installing the shear blades.

You can install 600 mm or 750 mm shear blades to your tool.

NOTE: If you change the shear blades to a different length, replace the chip receiver with one which fits the blades.

1. Remove four screws (for UH013G) or five screws (for UH014G), and then remove the chip receiver from the tool.

For UH013G

► **Fig.8:** 1. Chip receiver 2. Screw

For UH014G

► **Fig.9:** 1. Chip receiver 2. Screw

2. Place the tool upside down, and then remove six bolts.
► **Fig.10:** 1. Bolt
3. Remove the cover and the plate.
► **Fig.11:** 1. Cover 2. Plate

NOTE: The plate may remain on the cover.

4. Remove the rod and the bearing.

► **Fig.12:** 1. Rod 2. Bearing

NOTE: The rod or bearing may remain on the cover.

5. Remove three screws, three sleeves and the felt pad, and then remove the shear blades.

► **Fig.13:** 1. Screw 2. Sleeve 3. Felt pad 4. Shear blades

NOTICE: Be careful not to lose the screws.

6. Remove the blade cover, and then attach it to the new shear blades.

► **Fig.14**

7. Adjust the crank so that two holes are lined up on the alignment line.

► **Fig.15:** 1. Hole 2. Alignment line

8. Align the protrusions on the shear blades vertically at the same position.

► **Fig.16:** 1. Protrusion

9. Insert the screw removed in step 5 into the holes on the blade cover and the shear blades to temporarily fix the shear blades, and then attach the felt pad to the shear blades.

► **Fig.17:** 1. Screw 2. Felt pad 3. Hole

10. Insert the protrusion on the shear blades to the hole on the rod, then align the position of the felt pad with the holes on the tool. Attach two new sleeves.

► **Fig.18:** 1. Felt pad 2. Protrusion 3. Hole 4. Sleeve

NOTICE: Apply a small amount of grease to the inner periphery of the hole of the rod.

NOTICE: Be careful not to lose the sleeves.

11. Align the holes on the sleeves and shear blades with the holes on the tool, and then tighten two screws to temporarily fix the shear blades.

► **Fig.19:** 1. Screw

12. Remove the screw inserted into the hole on the shear blades in step 9, and then slide the blade cover.

► **Fig.20:** 1. Screw

13. Attach a new sleeve.

► **Fig.21:** 1. Sleeve

14. Tighten the screw together with the sleeve to fix the shear blades.

► **Fig.22:** 1. Screw

15. Firmly tighten the screws which were temporarily fixed in step 11.

16. Attach the bearing and the rod.

► **Fig.23:** 1. Rod 2. Small hole 3. Bearing

NOTICE: Apply a small amount of grease to the inner periphery of the small hole of the rod.

NOTICE: Make sure that the protrusion on the shear blades fits in the small hole on the rod.

17. Attach the plate.

► **Fig.24:** 1. Protrusion 2. Plate

NOTICE: Make sure that the protrusion on the shear blades fits in the hole on the plate.

18. Attach the cover, and then tighten six bolts.

► **Fig.25:** 1. Bolt 2. Cover

19. Attach the chip receiver to the tool by tightening four screws (for UH013G) or five screws (for UH014G).

For UH013G

► Fig.26: 1. Chip receiver 2. Screw

For UH014G

► Fig.27: 1. Chip receiver 2. Screw

NOTICE: If the shear blades do not move smoothly, the shear blades are not engaged with the rods properly. Install the shear blades again.

NOTICE: If the parts other than the shear blades such as the rods are worn out, ask Makita Authorized Service Centers for parts replacement or repairs.

Removing or installing the chip receiver

CAUTION: When installing or removing the chip receiver, always wear gloves so that your hands do not directly contact the shear blades.

The chip receiver gathers discarded leaves and makes clean-up afterward much easier.

To remove the chip receiver, remove four screws (for UH013G) or five screws (for UH014G), and then remove the chip receiver from the tool. To install the chip receiver, follow the removal procedure in reverse.

For UH013G

► Fig.28: 1. Chip receiver 2. Screw

For UH014G

► Fig.29: 1. Chip receiver 2. Screw

OPERATION

WARNING: Keep hands away from shear blades.

CAUTION: Avoid operating the tool in very hot weather as much as practicable. When operating the tool, be careful of your physical condition.

CAUTION: Be careful not to accidentally contact a metal fence or other hard objects while trimming. The shear blades may break and cause an injury.

CAUTION: Be careful not to allow the shear blades to contact the ground. The tool may recoil and cause an injury.

CAUTION: Overreaching with a hedge trimmer, particularly from a ladder, is extremely dangerous. Do not work while standing on anything wobbly or infirm.

NOTICE: Do not attempt to cut branches thicker than 10 mm in diameter with the tool. Cut branches to 10 cm lower than the cutting height using branch cutters before using the tool.

► Fig.30: (1) Cutting height (2) 10 cm

NOTICE: Do not cut down dead trees or similar hard objects. Doing so may damage the tool.

NOTICE: Do not trim the grass or weeds while using the shear blades. The shear blades may become tangled in the grass or weeds.

Hold the front grip with your right hand and the rear grip with your left hand. Pull the front switch trigger, then pull the rear switch trigger while pressing the lever, and then move the tool forward.

► Fig.31

For basic operation, tilt the shear blades toward the trimming direction and move it calmly and slowly at the speed rate of 3 to 4 seconds per meter.

► Fig.32

To cut a hedge top evenly, tie a string at the desired height and trim along it.

► Fig.33

The chip receiver gathers discarded leaves and makes clean-up afterward much easier.

► Fig.34

To cut a hedge side evenly, cut from the bottom to top.

► Fig.35

When trimming to make a round shape (trimming boxwood or rhododendron, etc.), trim from the root to the top for a beautiful finish.

► Fig.36

MAINTENANCE

CAUTION: Always be sure that the tool is switched off and the battery cartridge is removed before attempting to perform inspection or maintenance.

To maintain product SAFETY and RELIABILITY, repairs, any other maintenance or adjustment should be performed by Makita Authorized or Factory Service Centers, always using Makita replacement parts.

Cleaning the tool

Clean the tool by wiping off dust with a dry cloth or one dipped in soapy water and wrung out.

NOTICE: Never use gasoline, benzine, thinner, alcohol or the like. Discoloration, deformation or cracks may result.

Shear blade maintenance

Before the operation or once per hour during operation, apply low-viscosity oil (machine oil, or spray-type lubricating oil) to the shear blades.

► Fig.37

After operation, remove dust from the shear blades with a wired brush, wipe it off with a cloth and then apply low-viscosity oil (machine oil, or spray-type lubricating oil) to the shear blades.

► Fig.38

NOTICE: Do not wash the shear blades in water. Doing so may cause rust or damage to the tool.

NOTICE: Dirt and corrosion cause excessive blade friction and shorten the operating time per battery charge.

Storage

The hook hole in the tool bottom is convenient for hanging the tool from a nail or screw on the wall.

Remove the battery cartridge from the tool, and then attach the blade cover to the shear blades so that the blades are not exposed. Store the tool out of the reach of children. Store the tool in a place not exposed to moisture or rain.

► Fig.39: 1. Hole

Grinding the shear blades

NOTICE: If the shear blades have considerably deformed by grinding, replace the shear blades with new ones.

1. Install the battery cartridge to the tool.
2. Turn on and start the tool so that the upper blade and lower blade are positioned alternately.

► Fig.40

3. Turn off the tool and remove the battery cartridge from the tool.

4. Set the angle of a file to 45°, and grind the upper blade from 3 directions with the file.

► Fig.41: (1) File (2) 45°

CAUTION: Before grinding the shear blades, make sure that the tool is switched off and the battery cartridge is removed from the tool.

5. Place the tool upside down, and then remove the burrs from the shear blades with the dressing stone.

► Fig.42: 1. Dressing stone

6. Set the angle of the file to 45°, and grind the lower blade from 3 directions with the file.

7. Return the tool to normal position, and then remove the burrs from the shear blades with the dressing stone.

Grease lubrication

Interval of lubrication: Every 50 operating hours

1. Remove the bolt from the hole for lubrication.

► Fig.43: 1. Bolt

2. Remove the cap from the grease vessel. Align the outlet of the grease vessel with the hole on the cover, and then press the outlet of the grease vessel onto the hole.

► Fig.44: 1. Grease vessel 2. Hole

3. Apply the grease to the tool (Approximately 5 g as a guide).

4. Tighten the bolt.

TROUBLESHOOTING

Before asking for repairs, conduct your own inspection first. If you find a problem that is not explained in the manual, do not attempt to dismantle the tool. Instead, ask Makita Authorized Service Centers, always using Makita replacement parts for repairs.

State of abnormality	Probable cause (malfunction)	Remedy
Motor does not run.	Battery cartridge is not installed.	Install the battery cartridge.
	Battery problem (under voltage)	Recharge the battery. If recharging is not effective, replace battery.
	The drive system does not work correctly.	Ask your local authorized service center for repair.
Motor stops running after a little use.	Battery's charge level is low.	Recharge the battery. If recharging is not effective, replace battery.
	Overheating.	Stop using of tool to allow it to cool down.
Tool does not reach maximum RPM.	Battery is installed improperly.	Install the battery cartridge as described in this manual.
	Battery power is dropping.	Recharge the battery. If recharging is not effective, replace battery.
	The drive system does not work correctly.	Ask your local authorized service center for repair.
Shear blades do not move: ⇒ stop the machine immediately!	Foreign objects are caught between the shear blades.	1. Use the reverse button. 2. Switch off the tool and remove the battery cartridge, and then remove the foreign objects using tools such as pliers.
	The drive system does not work correctly.	Ask your local authorized service center for repair.
Abnormal vibration: ⇒ stop the machine immediately!	Shear blades are broken, bent or worn.	Replace the shear blades.
	The drive system does not work correctly.	Ask your local authorized service center for repair.
Shear blades and motor cannot stop: ⇒ Remove the battery immediately!	Electric malfunction.	Remove the battery and ask your local authorized service center for repair.

OPTIONAL ACCESSORIES

CAUTION: These accessories or attachments are recommended for use with your Makita tool specified in this manual. The use of any other accessories or attachments might present a risk of injury to persons. Only use accessory or attachment for its stated purpose.

If you need any assistance for more details regarding these accessories, ask your local Makita Service Center.

- Shear blade assembly
- Chip receiver
- Grease vessel
- Makita genuine battery and charger

NOTE: Some items in the list may be included in the tool package as standard accessories. They may differ from country to country.