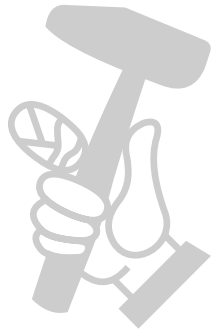
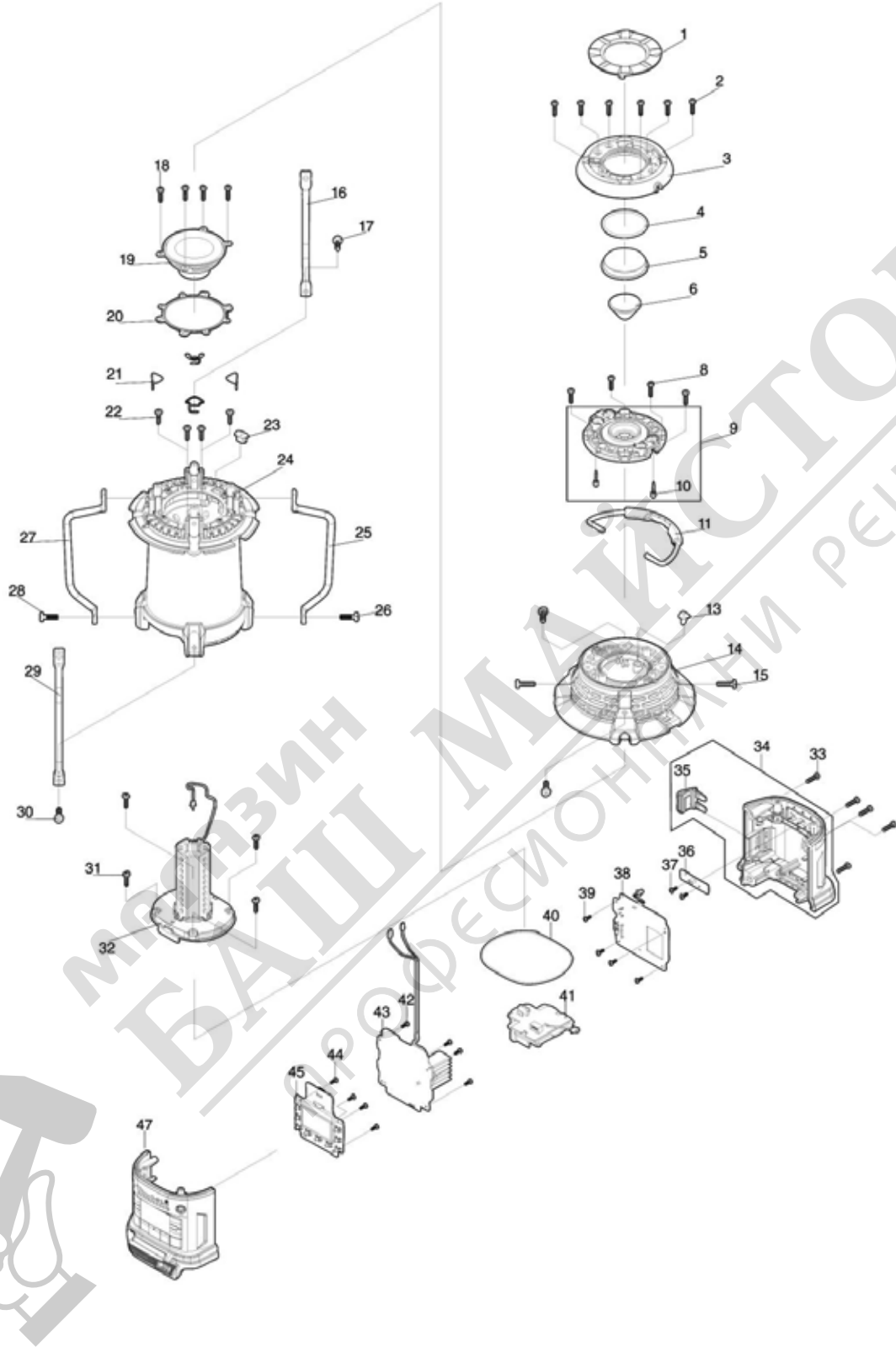


Model No.DMR056 CORDLESS RADIO WITH LANTERN



Nr.	Part nr.	Name
001	SE00001125	Voorpaneel DMR055/56
002	SE00001127	Tapschr 3x12mm DMR055
003	SE00001128	Afdekkap DMR055/56
004	SE00001129	O-ring 37,8mm DMR055/56
005	SE00001130	Lens DMR055/56
006	SE00001131	Ledlens DMR055/56
008	SE00001127	Tapschr 3x12mm DMR055
009	SE00001134	Ledhouder+circuit DMR055/56
010	SE00001136	Rubbermat A DMR055/56
011	SE00001137	Handgreep DMR055/56
013	SE00001138	Afdekkap A DMR055/56
014	SE00001139	Bovenhuis DMR055/56
015	SE00001140	Inbussch M4x16mm DMR055/56
016	SE00001141	Valbeugel DMR055/56
017	SE00001142	Inbussch M4x13mm DMR055/56 P
018	SE00001127	Tapschr 3x12mm DMR055
019	SE00001144	Speaker DMR055/56
020	SE00001146	Pakking DMR055/56
021	SE00001197	Veerlabel DMR055/56
022	SE00001148	Tapschr 3x12mm DMR055/56
023	SE00001149	Afdekkap B DMR055/56
024	SE00001198	Lampkap DMR055/56
025	SE00001141	Valbeugel DMR055/56
026	SE00001142	Inbussch M4x13mm DMR055/56 P
027	SE00001141	Valbeugel DMR055/56
028	SE00001142	Inbussch M4x13mm DMR055/56 P
029	SE00001141	Valbeugel DMR055/56
030	SE00001142	Inbussch M4x13mm DMR055/56 P
031	SE00001127	Tapschr 3x12mm DMR055
032	SE00001200	Circuit D+E DMR055/56
033	SE00001127	Tapschr 3x12mm DMR055
034	SE00001202	Achterbodemplaat DMR056
035	SE00001158	Afdekkap USB DMR055/56
036	SE00001204	Circuit K DMR055/56
037	SE00001160	Tapschroef 2x6mm DMR055/56
038	SE00001206	Circuit H DMR055/56
039	SE00001160	Tapschroef 2x6mm DMR055/56
040	SE00001163	Bodemplaat DMR055/56
041	SE00001208	Terminal DMR055/56
042	SE00001160	Tapschroef 2x6mm DMR055/56
043	SE00001210	Circuit A DMR055/56
044	SE00001160	Tapschroef 2x6mm DMR055/56
045	SE00001212	Circuit C DMR055/56
047	SE00001214	Voorbodemplaat DMR056