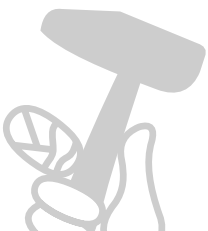
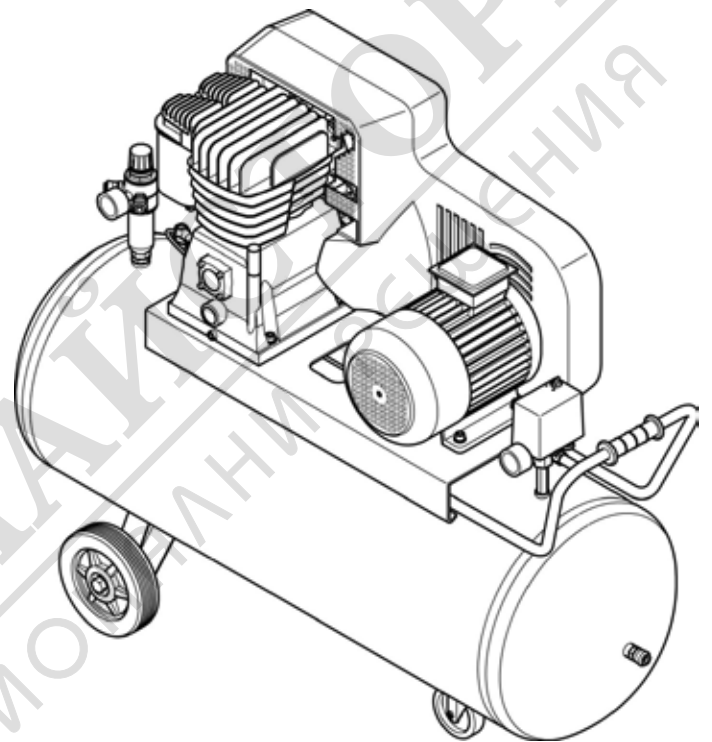


# metabo®

PROFESSIONAL POWER TOOL SOLUTIONS

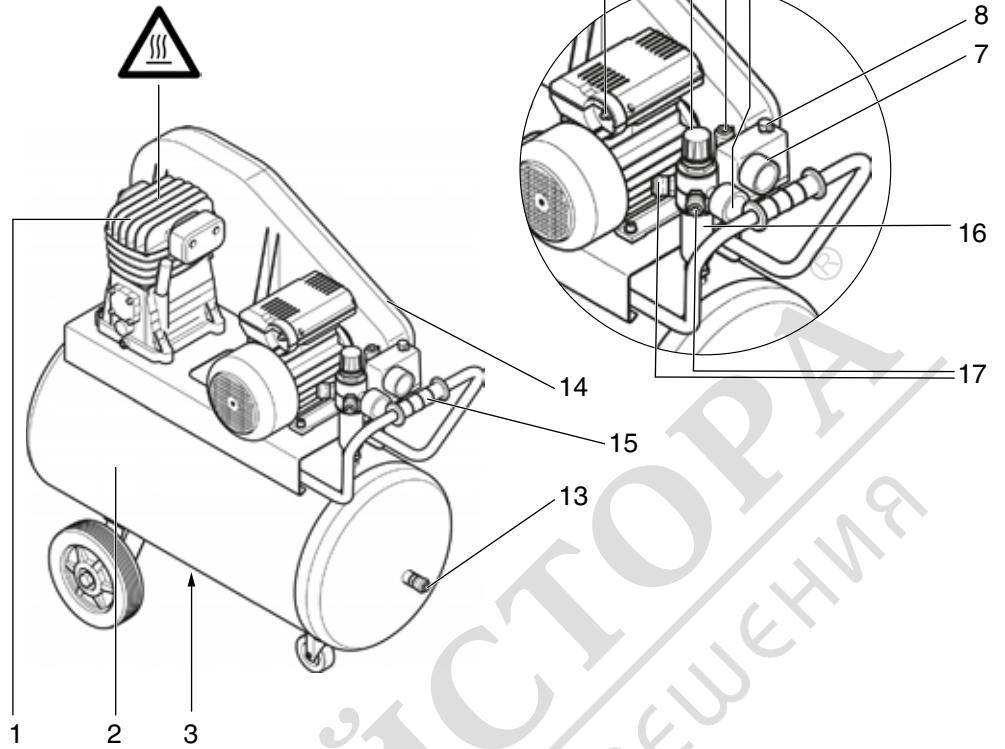
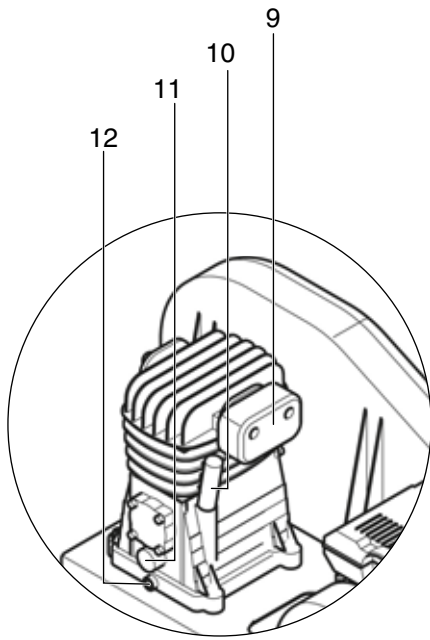
**Mega 350-50 W**  
**Mega 350-100 W**  
**Mega 350-100 D**  
**Mega 350-150 D**  
**Mega 520-200 D**  
**Mega 580-200 D**  
**Mega 650-270 D**



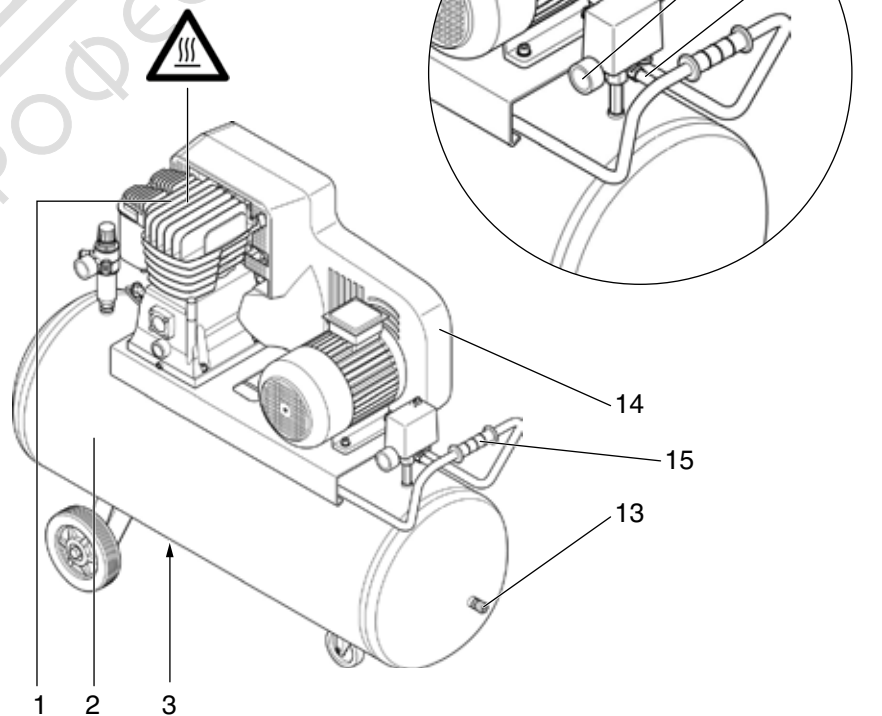
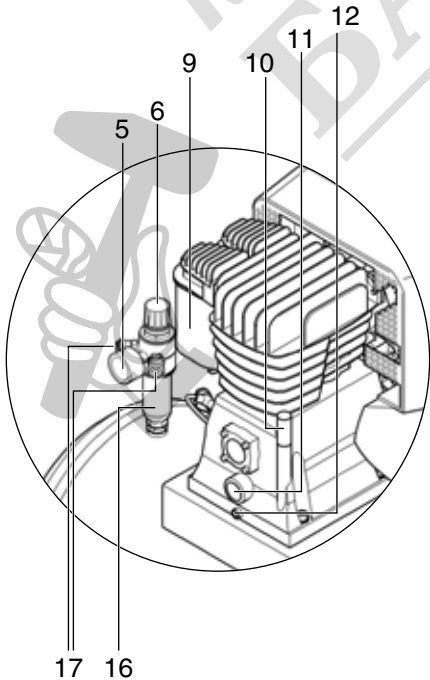
**de** Originalbetriebsanleitung 5  
**en** Original Instructions 9  
**fr** Notice originale 13  
**nl** Originele gebruikershandleiding 17  
**it** Istruzioni per l'uso originali 21  
**es** Manual original 25  
**pt** Manual de instruções original 29  
**sv** Originalbruksanvisning 33

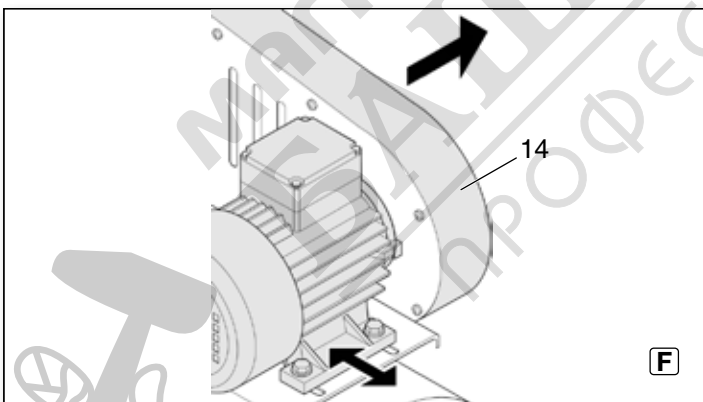
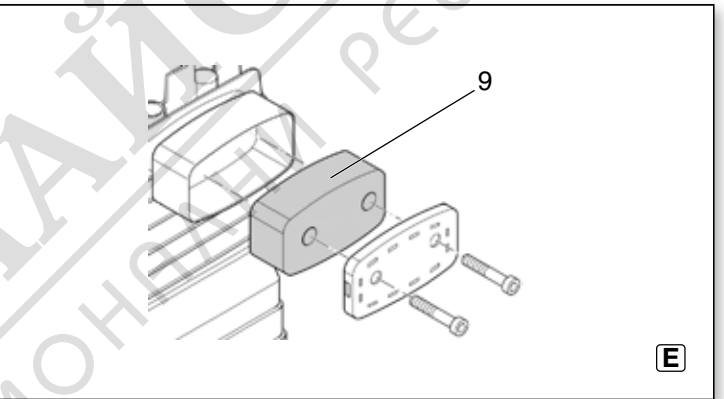
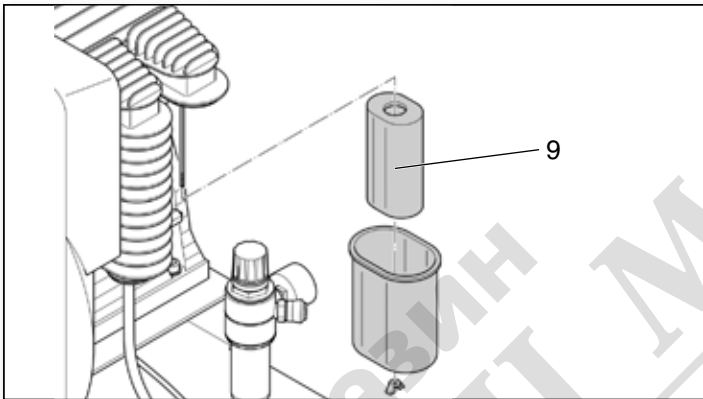
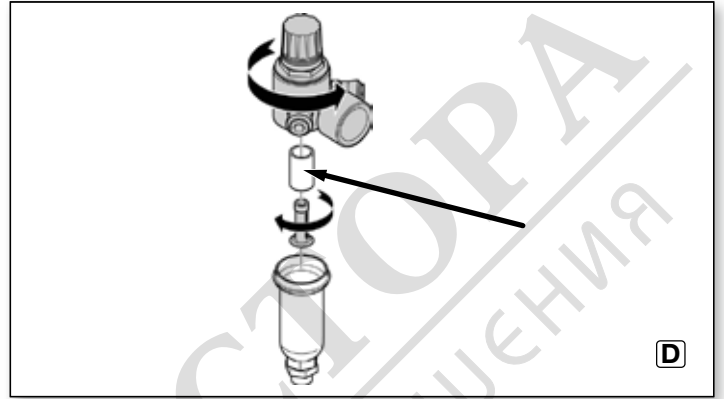
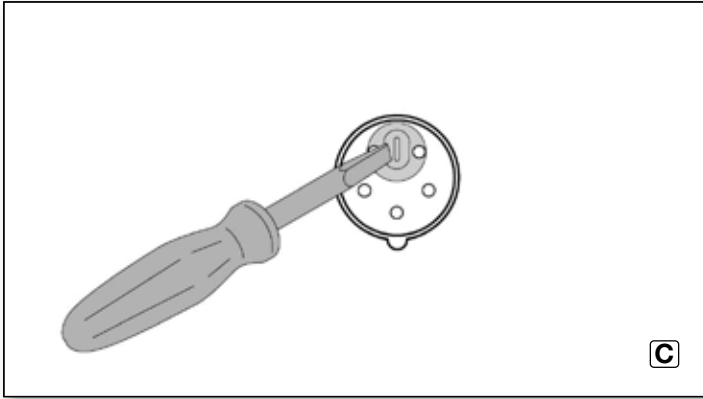
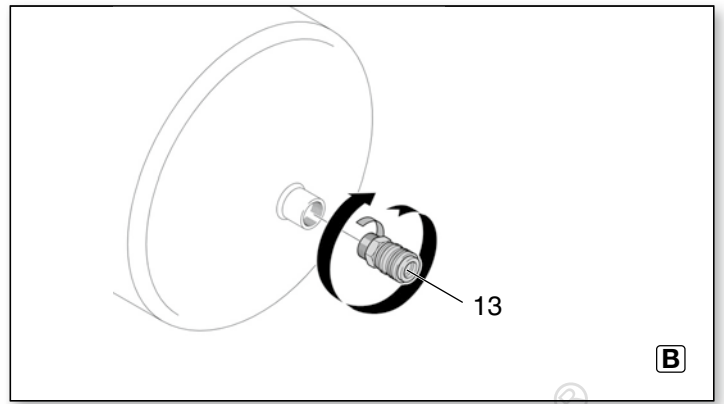
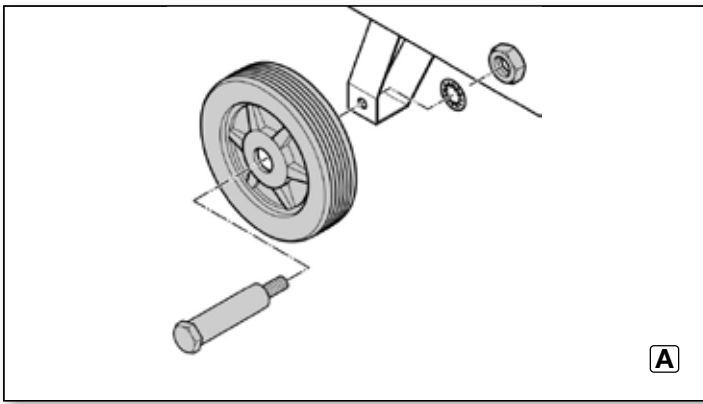
**fi** Alkuperäinen käyttöohje 37  
**no** Original bruksanvisning 41  
**da** Original brugsanvisning 45  
**pl** Oryginalna instrukcja obsługi 49  
**el** Πρωτότυπο οδηγιών λειτουργίας 53  
**hu** Eredeti használati utasítás 57  
**ru** Оригинальное руководство по эксплуатации 61  
**uk** Оригінальна інструкція з експлуатації 65

**Mega 350/50 W**  
**Mega 350/100 W**  
**Mega 350/100 D**



**Mega 350/150 D**  
**Mega 520/200 D**  
**Mega 580/200 D**  
**Mega 650/270 D**





		Mega 350-50 W	Mega 350-100 W	Mega 350-100 D	Mega 350-150 D	Mega 520-200 D	Mega 580-200 D	Mega 650-270 D
<b>*1) Serial Number</b>		01589..	01538..	01539..	01587..	01541..	01588..	01543..
<b>A</b>	<b>l/min</b>	315	315	320	320	486	510	650
<b>F</b>	<b>l/min</b>	245	245	250	250	365	390	490
<b>L<sub>eff</sub></b>	<b>l/min</b>	215	215	220	220	310	350	420
<b>p</b>	<b>bar</b>	10	10	10	10	10	11	11
<b>V</b>	<b>l</b>	50	100	100	150	200	200	270
<b>a</b>	-	3	3	3	3	3	3	3
<b>z</b>	-	2	2	2	2	2	2	2
<b>Nm</b>	-	22 - 27	22 - 27	22 - 27	22 - 27	22 - 27	22 - 27	22 - 27
<b>n<sub>0</sub></b>	<b>/min, rpm</b>	2850	2850	2900	2900	2900	3000	2900
<b>P<sub>1</sub></b>	<b>kW</b>	2,2	2,2	2,2	2,2	3,0	3,0	4,0
<b>U</b>	<b>V</b>	230 (1~ 50 Hz)	230 (1~ 50 Hz)	400 (3~ 50 Hz)	400 (3~ 50 Hz)	400 (3~ 50 Hz)	400 (3~ 50 Hz)	400 (3~ 50 Hz)
<b>I</b>	<b>A</b>	11,7	11,7	4,3	4,3	7,6	7,6	8,1
<b>F</b>	<b>A</b>	11	11	6,3	6,3	10	10	10
<b>IP</b>	-	IP 44	IP 44	IP 44	IP 44	IP 44	IP 44	IP 44
<b>G</b>	.	3 x 1,5 mm <sup>2</sup> - 7,5 m 3 x 2,5 mm <sup>2</sup> - 12,5 m	3 x 1,5 mm <sup>2</sup> - 7,5 m 3 x 2,5 mm <sup>2</sup> - 12,5 m	3 x 1,5 mm <sup>2</sup> - 30 m 3 x 2,5 mm <sup>2</sup> - 50 m	3 x 1,5 mm <sup>2</sup> - 30 m 3 x 2,5 mm <sup>2</sup> - 50 m	3 x 1,5 mm <sup>2</sup> - 30 m 3 x 2,5 mm <sup>2</sup> - 50 m	3 x 1,5 mm <sup>2</sup> - 30 m 3 x 2,5 mm <sup>2</sup> - 50 m	3 x 1,5 mm <sup>2</sup> - 30 m 3 x 2,5 mm <sup>2</sup> - 50 m
<b>A</b>	<b>mm</b>	800 x 490 x 780	1000 x 410 x 900	1000 x 410 x 900	1380 x 420 x 950	1500 x 450 x 960	1500 x 580 x 1030	1530 x 600 x 1160
<b>T<sub>max</sub></b>	<b>°C</b>	+ 40	+ 40	+ 40	+ 40	+ 40	+ 40	+ 40
<b>T<sub>min</sub></b>	<b>°C</b>	+5	+5	+5	+5	+5	+5	+5
<b>Oel</b>	-	ca. 0,5 l/ SAE 40 (SAE 20)	ca. 0,5 l/ SAE 40 (SAE 20)	ca. 0,5 l/ SAE 40 (SAE 20)	ca. 0,5 l/ SAE 40 (SAE 20)	ca. 0,9 l/ SAE 40 (SAE 20)	ca. 1,5 l/ SAE 40 (SAE 20)	ca. 1,8 l/ SAE 40 (SAE 20)
<b>m</b>	<b>kg</b>	52	69	69	85	131	136	170
<b>L<sub>pA</sub>/K<sub>pA</sub></b>	<b>dB(A)</b>	86 / 3	86 / 3	86 / 3	86 / 3	89 / 3	87 / 3	88 / 3
<b>L<sub>WA</sub>/K<sub>WA</sub></b>	<b>dB(A)</b>	93 / 3	93 / 3	93 / 3	93 / 3	96 / 3	96 / 3	97 / 3
<b>*5) L<sub>WA(M)</sub>/L<sub>WA(G)</sub></b>	<b>dB(A)</b>	89,1 / 93	89,1 / 93	92,5 / 95	92,5 / 95	94,3 / 96	94,8 / 96	95,4 / 97


 \*2) 2011/65/EU, 2006/42/EC, 2014/30/EU, 2000/14/EC (Annex VIII)  
 \*3) EN 1012-1:2010, EN 60204-1:2006/A1:2009, EN ISO 3744:2010, EN 55014-1:2006/A2:2011,  
 EN 55014-2:2015, EN 61000-3-3:2013, EN 61000-3-2:2014, EN 50581:2012  
 \*4) Eurofins Product Testing Italy S.r.l. - NB-No. 0477

2018-07-06, Bernd Fleischmann *ppa. B.F.*  
 Direktor Produktentstehung & Qualität (Vice President Product Engineering & Quality)  
 \*6) Metabowerke GmbH - Metabo-Allee 1 - 72622 Nuertingen, Germany

# Original Instructions

## Contents

1. Declaration of Conformity
2. Specified Use
3. General Safety Instructions
4. Special Safety Instructions
5. Overview
6. Commissioning
7. Operation
8. Care And Maintenance
9. Repairs
10. Environmental Protection
11. Troubleshooting
12. Technical Specifications

## 1. Declaration of Conformity

We, being solely responsible: Hereby declare that these compressors, identified by type and serial number \*1), meet all relevant requirements of directives \*2) and standards \*3), issuing testing authority \*4), measured LWA(M) / guaranteed LWA(G) sound power level \*5), technical documentation for \*6) - see page 4.

## 2. Specified Use

This tool is used for the generation of compressed air for professional tools powered by compressed air.

The use in the medical and food sector as well as refilling of oxygen tanks is not permitted.

Explosive, flammable or harmful gases must not be aspirated. Operation in potentially explosive rooms is not permitted.

Any other use does not comply with the intended purpose. Unspecified use, modification of the pump or use of parts that have not been tested and approved by the manufacturer can cause unforeseeable damage!

Children, adolescents and untrained persons must not use the machine and the connected compressed air tools.

Operate the device only under supervision.

## 3. General Safety Instructions



**WARNING** – Reading the operating instructions will reduce the risk of injury.

### General Safety Instructions

**WARNING** – Read all safety warnings and instructions. Failure to follow all safety warnings and instructions may result in electric shock, fire and/or serious injury.

**Save all safety warnings and information for future reference!** Pass on your power tool only together with these documents. You and all other users must be able to inform yourselves at any time.

### 3.1 Work Area Safety

- a) **Keep work area clean and well lit.** Cluttered or dark areas invite accidents.
- b) **Do not operate the device in explosive atmospheres, such as in the presence of flammable liquids, gases or dust.** Tools create sparks which may ignite the dust or fumes.
- c) **Keep children and other persons away while operating the device.**

### 3.2 Electrical Safety

- a) **Tool plugs must match the outlet. Never modify the plug in any way. Do not use any adapter plugs with earthed (grounded) tools.** Unmodified plugs and matching outlets will reduce risk of electric shock.
- b) **Avoid body contact with earthed or grounded surfaces, such as pipes, radiators, ranges and refrigerators.** There is an increased risk of electric shock if your body is earthed or grounded.

c) **Do not expose power tools to rain or wet conditions.** Water entering a power tool will increase the risk of electric shock.

d) **Do not abuse the cord. Never use the cord for carrying, hanging or unplugging the tool. Keep cord away from heat, oil, sharp edges or moving parts.** Damaged or entangled cords increase the risk of electric shock.

e) **When operating a power tool outdoors, use an extension cord suitable for outdoor use.** Use of a cord suitable for outdoor use reduces the risk of electric shock.

### 3.3 Personal Safety

a) **Stay alert, watch what you are doing and use common sense when operating a tool. Do not use a tool while you are tired or under the influence of drugs, alcohol or medication.** A moment of inattention while operating power tools may result in serious personal injury.

b) **Use personal protective equipment. Always wear eye protection.** Protective equipment such as a dust mask, non-skid safety shoes, hard hat or hearing protection, depending on the type and application of the tool, will reduce personal injuries.

c) **Prevent unintentional starting. Ensure the switch is in the off-position before connecting to power source and/or battery pack, picking up or carrying the tool.** Carrying power tools with your finger on the switch or energising power tools that have the switch on invites accidents.

d) **Remove any adjusting key or wrench before turning the power tool on.** A wrench or a key left attached to a rotating part of the power tool may result in personal injury.

e) **Do not overreach. Keep proper footing and balance at all times.** This enables better control of the tool in unexpected situations.

f) **Wear appropriate clothing. Do not wear loose clothing or jewellery. Keep your hair, clothing and gloves away from moving parts.** Loose clothes, jewellery or long hair can be caught in moving parts.

h) **Do not let familiarity gained from frequent use of tools allow you to become complacent and ignore tool safety principles.** A careless action can cause severe injury within a fraction of a second.

### 3.4 Tool Use and Care

a) **Do not force the power tool. Use the correct tool for your application.** The correct tool will do the job better and safer at the rate for which it was designed.

b) **Do not use the tool if the switch does not turn it on and off.** Electrical devices that can no longer be switched on or off are dangerous and must be repaired immediately.

c) **Disconnect the plug from the power source and/or the battery pack from the tool before making any adjustments, changing accessories, or storing tools.** Such preventive safety measures reduce the risk of starting the power tool accidentally.

d) **Store idle tools out of the reach of children. Do not allow persons unfamiliar with the device or these instructions to operate the device.** Devices are dangerous when used by inexperienced personnel.

e) **Maintain power tools and accessories with care. Check that the moving parts are functioning properly and do not jam, that there is no breakage of parts or any other condition that may affect the device's operation. If damaged, have the device repaired before using.** Many accidents are caused by poorly maintained power tools.

g) **Use the power tool, accessories, tool bits etc. in accordance with these instructions. Take into account the working conditions and the work to be performed.** Use of the power tool for operations different from those intended could result in a hazardous situation.

h) **Keep handles and grasping surfaces dry, clean and free from oil and grease.** Slippery handles and grasping surfaces do not allow safe handling and control of the tool in unexpected situations.

## 3.5 Service

a) **Have your device serviced by a qualified repair person using only genuine replacement parts.** This will ensure that the device functions safely.

## 3.6 Additional Safety Instructions

– These operating instructions are intended for people with basic technical knowledge in handling machines such as the one described here. If you have had no experience with machines of this kind, you should initially work under the supervision of people with previous experience.

– The manufacturer bears no liability for damage caused by non-compliance with these operating instructions.

Information in these operating instructions is designated as shown below:



**Danger!**  
Risk of personal injury or environmental damage.



**Risk of electric shock!**  
Risk of personal injury from electric shock.



**Caution!**  
Risk of material damage.

## 4. Special Safety Instructions

The following residual risks basically exist for compressed air tools and cannot be remedied completely even with safety installations:

### 4.1 Danger of injury due to escaping compressed air and parts, which are carried along by compressed air!

- Never direct compressed air on people or animals.
- Ensure that all compressed air tools and accessories used are designed for the working pressure or can be connected via a pressure reducer.
- When loosening the quick coupling pay attention that the compressed air contained in the compressed air hose escapes suddenly. Therefore get a firm grip of the end of the compressed air hose to be loosened.
- Ensure that all screwed connections are always tightened properly.
- Do not attempt to repair the pump yourself! Only professionals may carry out repairs on compressors, compressed containers and compressed air tools.

### 4.2 Danger from compressed air containing oil!

- Use compressed air containing oil exclusively for compressed air tools, which are designed for compressed air containing oil.
- Use a compressed air hose for compressed air containing oil not for compressed air tools, which are not designed to be used with compressed air containing oil.
- Do not fill any car tyres etc. with compressed air containing oil.
- Oil particles can be removed from the compressed air by means of appropriate filters. This permits the use of an oil-lubricated compressor even for compressed air tools requiring oil-free compressed air.

### 4.3 Risk of burns at the surfaces of the parts bearing compressed air!

- Let the tool cool down prior to the servicing work.

### 4.4 Risk of personal injury and crushing by moving parts!

- Do not operate the tool without installed guards.
- Keep in mind that the tool starts up automatically when the minimum pressure is

reached! – Ensure the tool is disconnected from power before servicing.

– Ensure that when switching on (e.g. after servicing) no tools or loose parts are left on or in the tool.

#### 4.5 Hazard generated by insufficient personal protection gear!

- Wear hearing protection.
- Wear protective goggles.
- Wear a breathing mask for applications generating dust or when harmful gases, mist or vapours are generated.
- Wear suitable work clothes.
- Wear non-slip footwear.

#### 4.6 Hazard generated by tool defects!

- Keep tool and accessories in good repair. Observe the maintenance instructions.
- Prior to each use check the tool for any eventual damage: Before continuing to use the tool, safety devices, protective devices or lightly damaged parts must be carefully inspected for correct and proper operation. A damaged device must only be reused after it has been correctly repaired.
- Check to see that all moving parts work properly and do not jam. All parts must be correctly installed and fulfil all conditions necessary to ensure perfect operation of the unit.
- Damaged protection devices or parts must be repaired or replaced by a qualified specialist.

#### 4.7 Additional Safety Instructions

- Please also observe the special safety instructions in the respective chapters.
- Observe any particular health and safety or accident prevention regulations governing the use of compressors and compressed air tools.
- Observe the legal provisions for the operation of systems requiring monitoring.
- Keep in mind that escaping condensate and other consumables contaminate the surrounding area and may trigger damage to the environment during operation and storage of the tool.
- Consider environmental conditions:

#### 4.8 Symbols on the machine (depends on model)

-  Read the operating instructions.
-  Warning of personal injury by touching hot parts.
-  Wear eye goggles
-  Wear ear protectors.
-  Warning of automatic startup.
-  Danger - electrical voltage.
-  Guaranteed sound power level.
-  Observe direction of rotation.

#### 4.9 Safety devices

##### Safety valve

The spring-loaded valve (4) reacts if the permitted maximum pressure is exceeded.

### 5. Overview

- See page 2.
- 1 compressor
  - 2 pressure vessel
  - 3 condensate outlet

- 4 safety valve
- 5 manometer control pressure
- 6 pressure regulator
- 7 manometer boiler pressure
- 8 ON/OFF Switch
- 9 air filter / air filter housing
- 10 oil sealing plug
- 11 oil inspection glass
- 12 oil discharge plug
- 13 connection for compressed air (quick coupling, not pre-mounted), unregulated compressed air
- 14 V-belt protective grid
- 15 transport handle
- 16 Filter pressure reducer
- 17 Compressed air inlet (quick coupling), controlled, filtered, oil-free compressed air
- 18 motor protection switch \*

\* depends on model / equipment

### 6. Commissioning

#### 6.1 Assembly (depending on model)

1. Mount the tyres as shown (see fig. A, page 3).
2. Mount the compressed air connection (13) as shown (see fig. B, page 3).

#### 6.2 Check condensate outlet

Ensure that the condensate outlet (3) is closed.

#### 6.3 Check oil level

Check the oil level of the compressor at the inspection glass (11). If necessary fill the oil until the middle of the oil inspection glass (11). Oil quality see chapter 12. Technical Data.

1. Unscrew the oil plug (10).
2. Fill the oil until the middle of the oil inspection glass (11) or the marking.
3. Screw back in the oil plug (10).

#### 6.4 Installation

The positioning site of the device has to meet the following requirements:

- Dry, protected from frost
- Stable, horizontal and even surface



#### Danger!

Wrong positioning might cause serious accidents.

- Secure the device against rolling away, tilting and slipping.
- Safety installations and operating elements have to be easily accessible at any time.
- Do not place the device on its side. Oil might leak!

#### 6.5 Transport

- Do not place the device on its side. Oil might leak!
- Do not pull the device from the hose or mains cable. Transport the device at the transport handle (15).

### 7. Operation

#### 7.1 Power-supply connection



#### Danger! High voltage.

Operate the device in dry surroundings only. Operate the device only at a power source meeting the following requirements: Wall sockets installed according to regulations, earthed and tested; fuse protection according to the technical data.

Position power supply cable so it does not interfere with the work and is not damaged.

Check every time if the device is switched off, prior to plugging the mains plug into the socket outlet.

Protect power supply cable from heat, aggressive liquids and sharp edges.

Use only extension cables with sufficient core cross-section (see chapter 12. Technical Data).

Use extension cables for outdoor areas. When working outdoors, only use the correspondingly marked extension cable approved for this purpose.

Do not switch off the compressor by pulling the mains plug, but use the ON/OFF switch.

Always install an RCD with a maximum trip current of 30 mA upstream.



#### For three-phase version: Check direction of rotation!

Depending on the phase configuration it is possible that the motor rotates in the wrong direction. This may damage the device. Therefore check the direction of rotation after every new connection: The pulley of the compressor has to rotate in direction of the arrow (on the V-belt protective grid (14)).

In case of wrong direction of rotation, the phases at the mains plug have to be swapped.

1. Disconnect the mains plug.
2. Swap the phases as shown using a screwdriver (see fig. C, page 3): Push the switch a bit inwards using a screwdriver and turn by 180!

#### 7.2 Generate compressed air

1. Switch on the device using the ON/OFF switch (8) and wait, until the maximum boiler pressure has been reached (compressor switches off). The boiler pressure is shown at the boiler pressure manometer (7).



#### Attention!

The set control pressure must not exceed the maximum operating pressure of the connected compressed air tools!

2. Set the control pressure at the pressure reducer (6). The current control pressure is shown at the control pressure manometer (5).
3. Connect the compressed air hose at the compressed air inlet:
  - Compressed air inlet (13) for uncontrolled, unfiltered compressed air
  - Compressed air inlet (17) for controlled, filtered, oil-free compressed air
4. Connect the compressed air tool. Now you can work with the compressed air tool.
5. Switch off the tool if you don't want to continue working immediately. Afterwards pull the mains plug.
6. Drain the condensed water of the pressure vessel at the condensate outlet (3) on a daily basis.

### 8. Care And Maintenance



#### Danger!

##### Prior to all servicing:

Switch machine off. Disconnect the mains plug. Wait until the device has stopped. Ensure that there is no more pressure on the device and all used compressed air tools and accessories.

Leave the device and all used compressed air tools and accessories to cool down.

##### After to all servicing:

Put back into operation and check all safety installations. Ensure that there are no tools or similar at or in the device.

Repair and maintenance work other than described in this section should only be carried out by qualified specialists.

#### 8.1 Important information

Maintenance and test have to be planned and carried out in accordance with the legal

provisions in line with the setup and mode of operation of the device.

Regulatory authorities may ask to view respective documentation.

## 8.2 Regular maintenance



### Attention!

Check the torque of the cylindrical head screws at the new compressor (1) (see chapter 12. Technical Data) after the first 50 and 250 operating hours.

#### Prior to every start

- Check compressed air hoses for damage and replace, if necessary.
- Check that all screw fittings are seated securely, and tighten if necessary.
- Check connection cables for damage, and, if necessary, have it replaced by a qualified electrician.

#### Daily

- Drain the condensed water of the pressure vessel at the condensate outlet (3).

#### Every 50 hours of operation

- Clean air filter (9) (see fig. E, page 3).
- Check the oil level of the compressor at the inspection glass (11), if necessary refill oil. (See chapter 6.)
- Drain the condensed water at the filter pressure reducer (16).

#### Every 250 hours of operation

- Clean air filter (9) or replace (see fig. E, page 3).
- Clean air filter in the filter pressure reducer or replace. (see fig. D, page 3).

#### Every 500 hours of operation

- Completely drain the oil at the oil outlet plug (12) and replace. (See chapter 6.)
- Check V-belt (see fig. F, page 3): Unscrew V-belt protective grid (14). Check V-belt, retighten if required or replace. In order to adjust the V-belt tension, loosen four screws at the foot of the motor and shift motor. Retighten the screws at the foot of the motor. Remount the V-belt protective grid (14).

#### Every 1000 hours of operation

- Have an inspection carried out in an authorised service centre. This significantly increases the service life of the compressor.

## 8.3 Storage of device

1. Switch off the device and pull mains plug.
2. Depressurise the pressure vessel and all connected compressed air tools.
3. Drain the condensed water of the pressure vessel at the condensate outlet (3).
4. Store the device in such a way that unauthorised persons cannot start it.
5. Do not place the device on its side. Oil might leak!



### Attention!

Do not store the tool outdoors or in damp conditions without protection.

#### Danger of frost



### Attention!

Frost (< 5 °C) destroys the pump and accessories as both always contain water! If there is a danger of frost disassemble pump and accessories and store in frost-free conditions.

## 9. Repairs



### Danger!

Repair of tools must be carried out by qualified electricians only!

If you have Metabo devices that require repairs, please contact your Metabo service centre. See [www.metabo.com](http://www.metabo.com) for addresses.

You can download a list of spare parts from [www.metabo.com](http://www.metabo.com).

## 10. Environmental Protection



### Danger!

The condensed water from the pressure vessel contains oil residue and /or contaminations hazardous to the environment. Dispose of the condensed water in an environmentally-friendly manner using respective collection sites!



### Danger!


The condensed water from the filter pressure reducer contains oil residues and/or contaminations hazardous to the environment. Dispose of the condensed water in an environmentally-friendly manner using respective collection sites!



### Danger!

Dispose of the old oil from the compressor in an environmentally-friendly manner using respective collection sites.

Observe national regulations on environmentally compatible disposal and on the recycling of disused machines, packaging and accessories.

 Only for EU countries: Never dispose of devices in your household waste! In accordance with European Guideline 2002/96/EC on used electronic and electric equipment and its implementation in national legal systems, used devices must be collected separately and returned for environmentally compatible recycling.

## 11. Troubleshooting



### Danger!

#### Prior to all servicing:

Switch machine off. Disconnect the mains plug. Wait until the device has stopped. Ensure that there is no more pressure on the device and all used compressed air tools and accessories. Leave the device and all used compressed air tools and accessories to cool down.

Any works other than the ones described in this chapter, must be carried out only by a qualified electrician or the service branch in your country.

#### After to all servicing:

Put back into operation and check all safety installations. Ensure that there are no tools or similar at or in the device.

#### Compressor does not run:

- No mains voltage.
  - Check cables, plug, outlet and mains fuse.
- Mains voltage too low.
  - Use only extension cables with sufficient core cross-section (see chapter 12. Technical Data). For cold device: Avoid extension cable. For cold device: Depressurise the pressure vessel.
- Compressor was switched off by pulling the mains plug while it was running.
  - First, switch off the compressor using the ON/OFF switch (8), then switch on again.
- Motor overheated, e.g. due to insufficient cooling (cooling ribs covered).
  - Switch off the compressor using the ON/OFF switch (8).
  - Remedy the cause for overheating. Leave to cool for about ten minutes.
  - Only three-phase motor model: Check motor protection switch (18), if required, reset by pressing it. (see fig. J, page 3).
  - Switch on the compressor again using the ON/OFF switch (8).

#### Compressor runs without building up sufficient pressure.

- Condensate outlet leaking.
  - Ensure that the condensate outlet (3) is closed.

- Check the seal of the drainage plug, if required, replace.

#### • Check valve leaking.

- Have check valve serviced in authorised service centre.

#### Compressed air tool does not get enough pressure.

- Pressure controller not open enough.
  - Open pressure controller (6) further.
- Hose connection between compressor and compressed air tool leaking.
  - Check hose connection; if required replace damaged parts.

## 12. Technical Data

Explanatory notes on the specifications on page 3. Changes due to technological progress reserved.

A	= suction capacity
F	= filling capacity
L <sub>eff</sub>	= Effective output volume at 80% max. pressure
p	= max. pressure
V	= vessel size
a	= number of air outlets
z	= number of cylinders
Nm	= Torque of the cylindrical head screws
n <sub>0</sub>	= max. speed
P <sub>1</sub>	= rated input power
U	= connection voltage
I	= rated power
F	= min. fuse protection
IP	= protection class
G	= maximum overall length and core cross-section of extension cables
A	= dimensions (l×w×h)
T <sub>max</sub>	= max. storage / operating temperature *
T <sub>min</sub>	= min. storage / operating temperature **
Oil	= oil quantity and quality for oil change (depends on model)
m	= weight

\* = The service life of some components e.g. seal in check valve is significantly reduced, if the compressor is operated at high temperatures (max. storage / operating temperature and higher).

\*\* = At temperature below the min. storage / operating temperature, there is danger of frost for the condensate in the pressure vessel.

The technical specifications quoted are subject to tolerances (in compliance with the relevant valid standards).

#### Emission values

These values make it possible to assess the emissions from the device and to compare different devices. The actual load may be higher or lower depending on the operating conditions, the condition of the device or the accessories. Please allow for breaks and periods when the load is lower for assessment purposes. Arrange protective measures for the user e.g. organisational measures based on the adjusted estimates.

#### Typical A-effective perceived sound levels:

L <sub>pA</sub>	= sound-pressure level
L <sub>WA</sub>	= acoustic power level
L <sub>WA(M)</sub>	= Measured acoustic power level as per 2000/14/EG
L <sub>WA(G)</sub>	= guaranteed acoustic power level as per 2000/14/EC



K<sub>pA</sub>, K<sub>WA</sub>=uncertainty

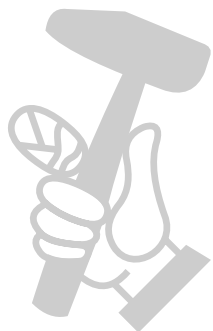
#### Wear ear protectors!

Information on the nameplate:



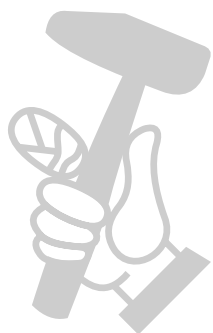
- A Manufacturer
- B Item, version, serial number
- C Machine designation
- D Connection voltage / frequency
- E Rated input power
- F Rated power / protection type
- G Max. speed
- H Max. pressure
- I CE mark – This machine conforms to the EC directives as per Declaration of Conformity
- J Year of manufacture
- K Suction capacity
- L Filling capacity
- M Compressor speed
- N Number of cylinders
- O Boiler size
- P Disposal symbol (see chapter 10.)

МАГАЗИН МАЙСТОРА®  
 БАШ МАЙСТОРА®  
 ПРОФЕСІОНАЛНИ РЕШЕНИЯ





МАГАЗИН  
**БАШ МАЙСТОРА**<sup>®</sup>  
ПРОФЕСИОНАЛНИ РЕШЕНИЯ



Metabowerke GmbH  
Metabo-Allee 1  
72622 Nuertingen  
Germany  
[www.metabo.com](http://www.metabo.com)

**metabo**<sup>®</sup>  
PROFESSIONAL POWER TOOL SOLUTIONS