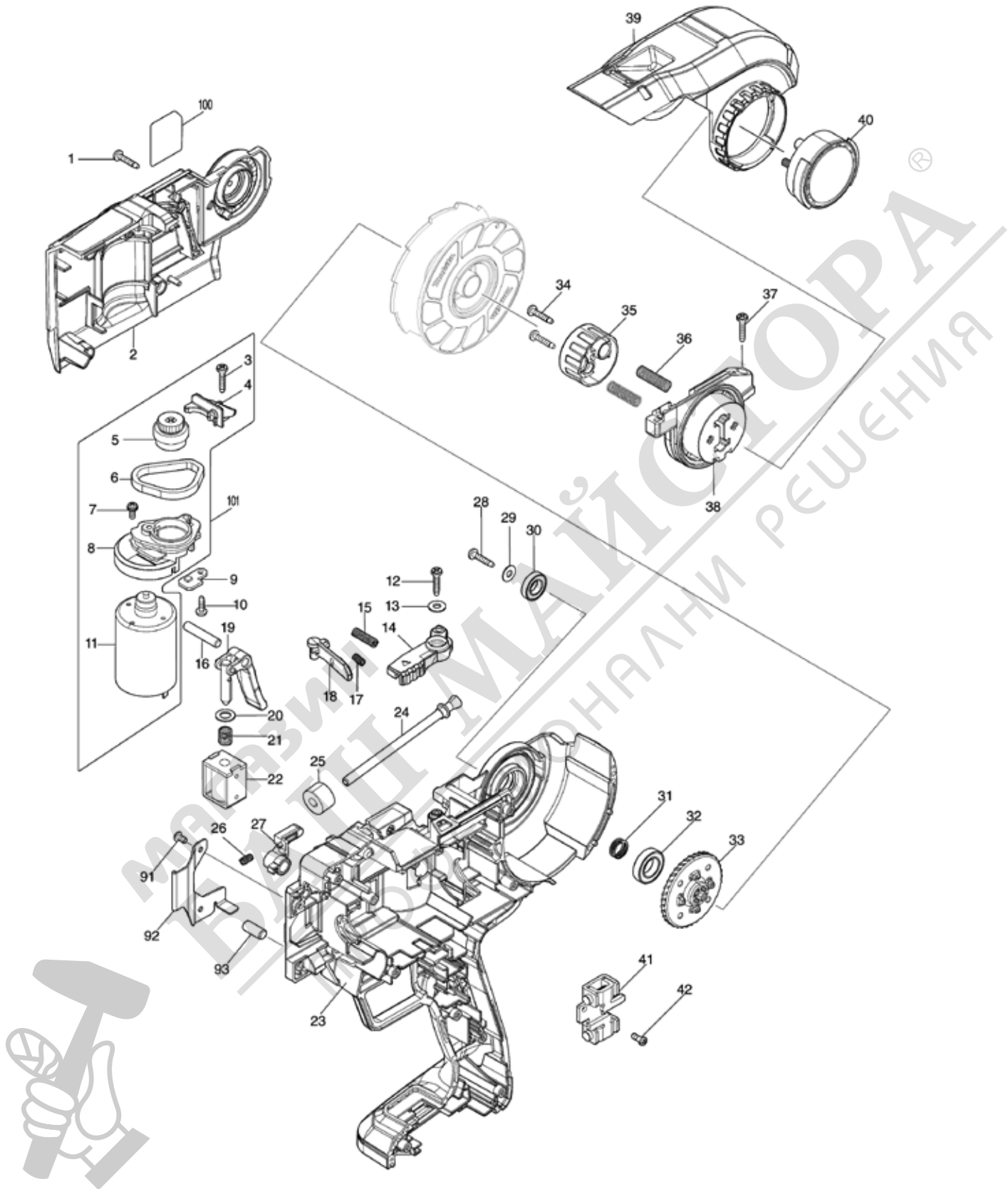
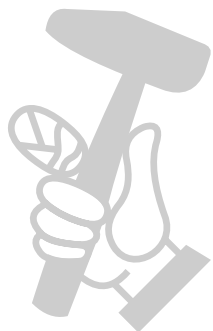
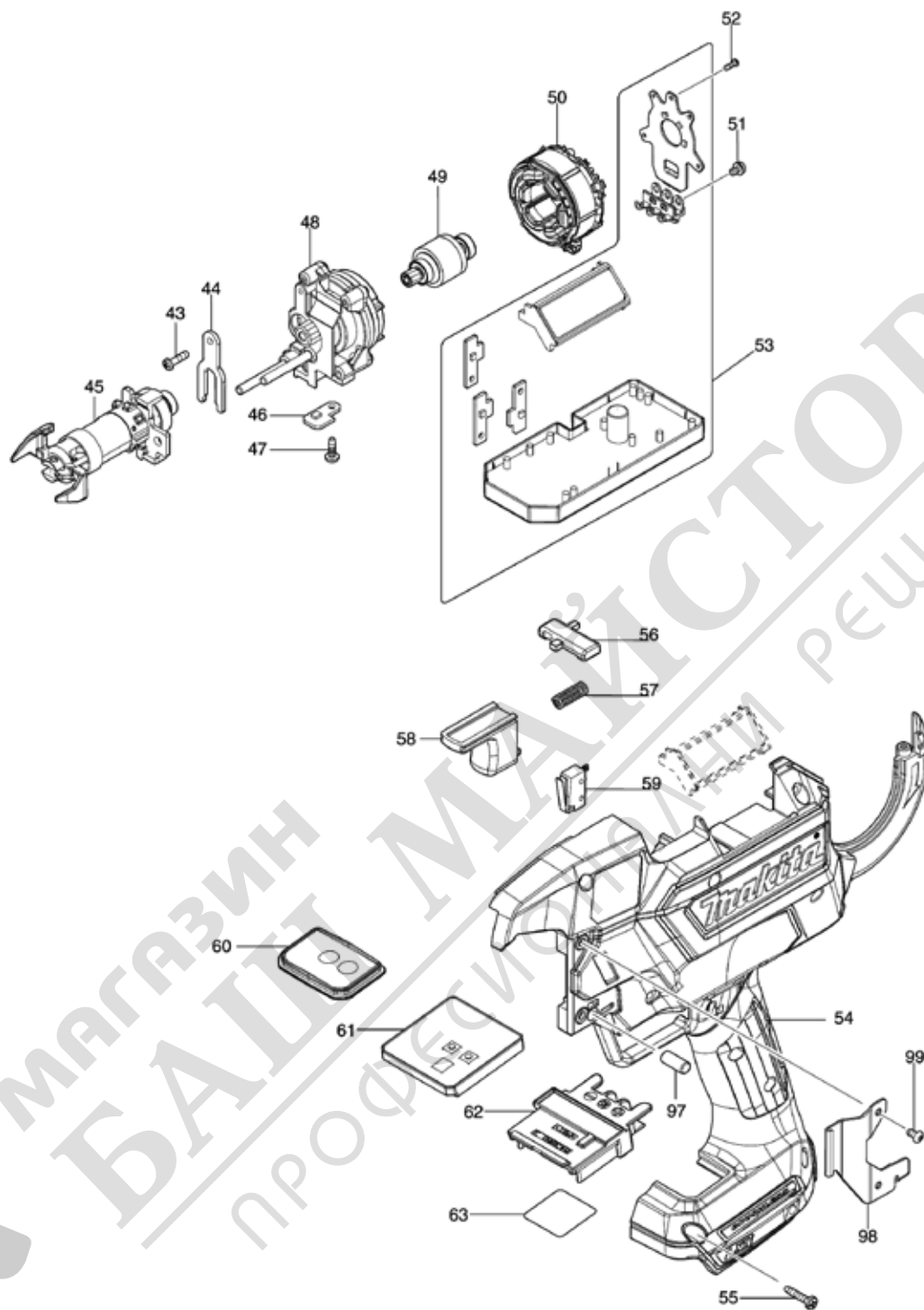


Model No.DTR181 CORDLESS REBAR TYING TOOL

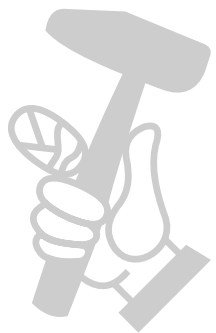
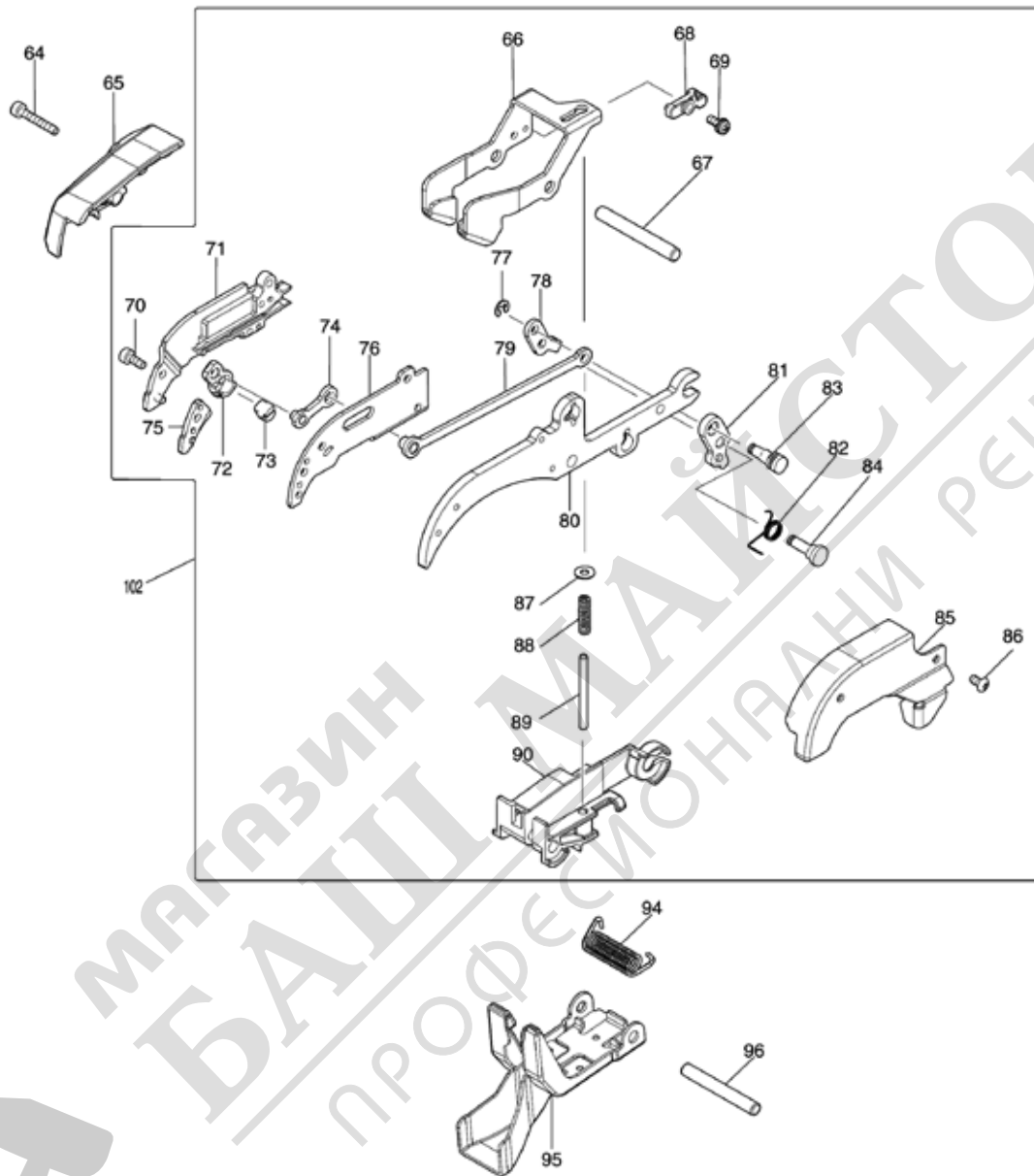


Model No.DTR181 CORDLESS REBAR TYING TOOL



МАГАЗИН МАСТОРА
БАЛТ МАСТЕР
ПРОФЕССИОНАЛЬНЫЕ РЕШЕНИЯ

Model No.DTR181 CORDLESS REBAR TYING TOOL



МАГАЗИН
БАШ
ПРОФЕСИОНАЛНИ РЕШЕНИЯ
МАСТОРА®

Model No.DTR181 CORDLESS REBAR TYING TOOL

Item	Parts No.	Description	I/C	Qty	New/Old	Opt. 1	Opt. 2	Note
001	266130-9	TAPPING SCREW BIND PT 3X16		4				
002	140V64-5	HOUSING COVER COMPLETE		1				
C10	817A35-8	INDICATION LABEL A		1				
C20	817A42-1	CAUTION LABEL A		1				
C30	817A44-7	CAUTION LABEL B		1				
003	266130-9	TAPPING SCREW BIND PT 3X16		1				
004	310864-7	WIRE GUIDE A		1				
005	135968-2	SPUR GEAR 30A ASSEMBLY		1				
006	422247-0	SPONGE SHEET A		1				
007	911008-8	PAN HEAD SCREW M3X8		2				
008	458222-0	MOTOR BASE		1				
009	620913-5	SENSOR CIRCUIT		1				
010	266007-8	TAPPING SCREW BIND PT 3X10		1				
011	629346-1	DC MOTOR		1				
012	266130-9	TAPPING SCREW BIND PT 3X16		1				
013	941051-3	FLAT WASHER 4		1				
014	136675-0	RELEASE LEVER ASS'Y		1				
015	232443-0	COMPRESSION SPRING 3		1				
016	256098-7	PIN 5		1				
017	232442-2	COMPRESSION SPRING 3		1				
018	458223-8	LOCK LEVER		1				
019	140A85-1	BRAKE ARM COMPLETE		1				
020	941152-7	FLAT WASHER 6		1				
021	232446-4	COMPRESSION SPRING 7		1				
022	679032-4	SOLENOID		1				
023	183W01-2	HOUSING SET		1				
C10	263005-3	RUBBER PIN 6		2				
C20	252126-6	HEX. LOCK NUT M4-7		2				
C30	931002-4	HEX. NUT M3		6				
C40	817A46-3	CAUTION LABEL C		1				
D10		INC. 54						
024	140L14-0	WIRE GUIDE PIPE COMPLETE		1				
025	422249-6	SPONGE SHEET B		1				
026	232442-2	COMPRESSION SPRING 3		1				
027	144901-3	MAGNET ARM CCOMPLETE		1				
028	266130-9	TAPPING SCREW BIND PT 3X16		1				
029	941051-3	FLAT WASHER 4		1				
030	211478-4	BALL BEARING 689		1				
031	232508-8	COMPRESSION SPRING 10		1				
032	211136-2	BALL BEARING 6801LLB		1				

Please order the parts with part number.

Print Date 21/5/2022

Model No.DTR181 CORDLESS REBAR TYING TOOL

Item	Parts No.	Description	I/C	Qty	New/Old	Opt. 1	Opt. 2	Note
033	140H97-6	MAGNET WHEEL COMPLETE		1				
034	266130-9	TAPPING SCREW BIND PT 3X16		2				
035	319822-0	REEL BEARING		1				
036	231294-8	COMPRESSION SPRING 6		2				
037	266130-9	TAPPING SCREW BIND PT 3X16		2				
038	458225-4	REEL BASE		1				
039	458216-5	REEL COVER		1				
040	458221-2	REEL BEARING CAM		1				
041	126743-7	STOPPER ASSEMBLY		1				
042	265199-0	+ PAN HEAD SCREW M3X8		2				
043	911017-7	PAN HEAD SCREW M3X12		1				
044	310866-3	BEARING RTAINER		1				
045	141D23-4	MAIN SLEEVE COMPLETE		1				
046	620913-5	SENSOR CIRCUIT		1				
047	266007-8	TAPPING SCREW BIND PT 3X10		1				
048	126838-6	GEAR ASSEMBLY		1				
049	619520-9	ROTOR		1				
050	629343-7	STATOR		1				
051	652069-6	FLAT HEAD SCREW M3X6		3				
052	266490-9	TAPPING SCREW PT 2X6		3				
053	140X54-0	MAIN CONTROLLER COMPLETE		1				
C10	817A37-4	INDICATION LABEL B		1				
054	183W01-2	HOUSING SET		1				
C10	263005-3	RUBBER PIN 6		2				
C20	252126-6	HEX. LOCK NUT M4-7		2				
C30	931002-4	HEX. NUT M3		6				
C40	817A46-3	CAUTION LABEL C		1				
D10		INC. 23						
055	266130-9	TAPPING SCREW BIND PT 3X16		11				
056	458219-9	TRIGGER LOCK		1				
057	234037-7	COMPRESSION SPRING 5		1				
058	458220-4	TRIGGER		1				
059	632L94-5	SWITCH UNIT		1				
060	140B67-9	SWITCH PLATE COMPLETE		1				
C10	817A39-0	INDICATION LABEL C		1				
061	620924-0	SWITCH CIRCUIT		1				
062	643860-3	TERMINAL		1				
063	811K07-5	DTR181 SERIAL NO. LABEL		1				
064	265633-0	HEX SOCKET HEAD BOLT M3X20		1				
065	458217-3	CONTACT PLATE COVER		1				

Please order the parts with part number.

Print Date 21/5/2022

Model No.DTR181 CORDLESS REBAR TYING TOOL

Item	Parts No.	Description	I/C	Qty	New/Old	Opt. 1	Opt. 2	Note
066	347831-9	CONTACT PLATE		1				
067	256573-3	PIN 5		1				
068	144903-9	MAGNET BASE B COMPLETE		1				
069	911008-8	PAN HEAD SCREW M3X8		1				
070	265634-8	HEX SOCKET HEAD BOLT M3X8		1				
071	162945-1	WIRE GUIDE B COMPLETE		1				
072	310815-0	CUTTER B		1				
073	310814-2	CUTTER A		1				
074	161872-9	LINK ARM A COMPLETE		1				
075	347773-7	TOP PLATE		1				
076	347772-9	GUIDE PLATE A		1				
077	961017-7	STOP RING E-3		2				
078	347720-8	PULL PLATE		1				
079	162943-5	LINK ARM B COMPLETE		1				
080	347770-3	GUIDE ARM A		1				
081	347329-6	PUSH PLATE		1				
082	232445-6	TORSION SPRING 7		1				
083	256400-4	SHOULDER PIN 4		1				
084	256399-3	SHOULDER PIN 4		1				
085	347771-1	GUIDE PLATE B		1				
086	265635-6	H.S.BUTTON HEAD SCREW M3X6		2				
087	941001-8	FLAT WASHER 3		1				
088	232444-8	COMPRESSION SPRING 4		1				
089	256390-1	PIN 3		1				
090	458226-2	LEAD HOLDER		1				
091	265635-6	H.S.BUTTON HEAD SCREW M3X6		2				
092	347813-1	SIDE PLATE R		1				
093	263040-1	RUBBER PIN 6		1				
094	232448-0	TORSION SPRING 6		1				
095	162946-9	CURL GUIDE COMPLETE		1				
096	256573-3	PIN 5		1				
097	263040-1	RUBBER PIN 6		1				
098	347812-3	SIDE PLATE L		1				
099	265635-6	H.S.BUTTON HEAD SCREW M3X6		2				
100	811K01-7	DTR181 NAME PLATE		1				
101	135999-1	DC MOTOR ASSY		1				
D10		INC. 3-8,11						
102	136447-3	GUIDE ARM ASSY		1				
D10		INC. 66-90						
A01	251314-2	+ SCREW M4X12		1				

Please order the parts with part number.

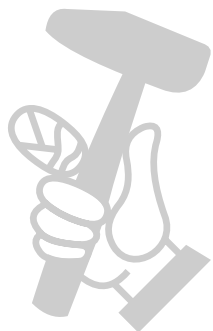
Print Date 21/5/2022

Model No.DTR181 CORDLESS REBAR TYING TOOL

Item	Parts No.	Description	I/C	Qty	New/Old	Opt. 1	Opt. 2	Note
A02	346449-3	HOOK		1				
A03	783208-8	HEX. WRENCH 2.5		1				
A04	162755-6	NYLON BRUSH		1				
A05	140S63-9	CONNECTOR P.CASE (TYPE4) COMP.		1				
C10	453974-8	LATCH		4				
C20	8008X6-2	CAUTION LABEL		1				
A06	8035D2-1	DTR181ZJ INDICATION LABEL		1				
A07	8035D3-9	DTR181ZJ PLASTIC CASE LABEL		2				
A08	835W33-2	INNER TRAY		1	*			
A08-1	8351L5-9	INNER TRAY	<	1				

Please order the parts with part number.

Print Date 21/5/2022



МАГАЗИН МАЙСТОРА
БАШ МАЙСТОРА
ПРОФЕСИОНАЛНИ РЕШЕНИЯ