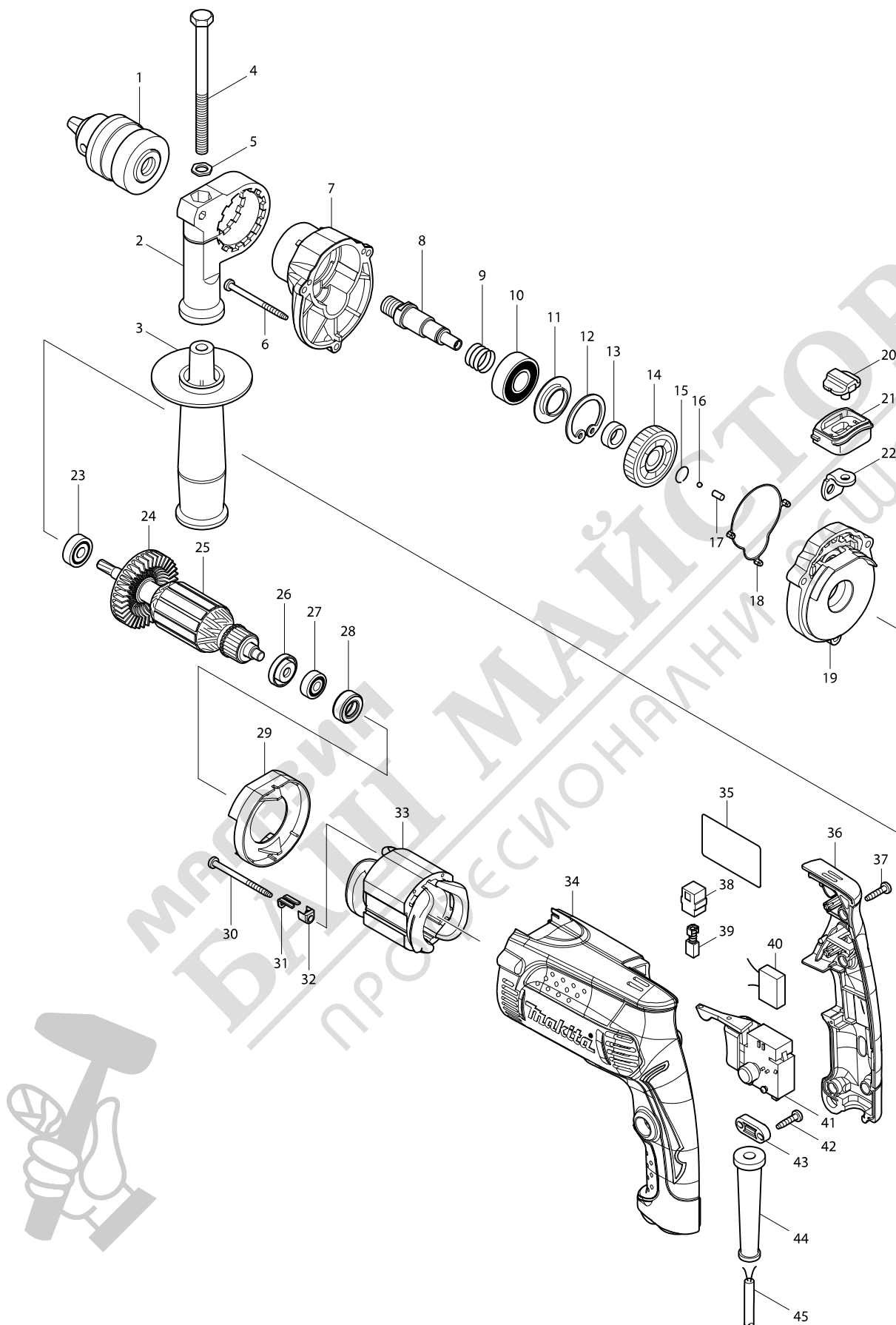


Model No. HP1630 HAMMER DRILL 16MM



Item	Parts No.	Description	I/C	QTY	N/O	Opt. 1	Opt. 2	NOTE
001	763161-4	DRILL CHUCK S13		1		82079090		
002	417630-4	GRIP BASE		1		84679900		
003	153503-4	GRIP 36 COMPLETE		1		40169390		
004	265495-6	HEX. BOLT M8X110		1		73181500		
005	345280-4	HEX. WASHER		1		73182200		
006	266361-0	TAPPING SCREW 4X30		3		73181500		
007	450619-9	GEAR HOUSING		1		84679900		
008	324223-9	SPINDLE		1	*	84679900		
008-1	327220-4	SPINDLE	S	1				
009	233330-6	COMPRESSION SPRING 16		1		73209090		
010A	211241-5	BALL BEARING 6202DDW		1	*	84821090		
010-1A	211228-7	BALL BEARING 6202DDW	<	1		84821090		
010-1C	211228-7	BALL BEARING 6202DDW		1		84821090		
010-1L	211228-7	BALL BEARING 6202DDW		1		84821090		
011	257246-1	RING 19		1		73182990		
012	962153-2	RETAINING RING R-35		1		73182990		
013	257173-2	RING 12		1		73182990		
014A	226589-2	HELICAL GEAR 37		1	*	84679900		
014-1A	227806-3	HELICAL GEAR 37	S	1		84834000		
014-1C	227806-3	HELICAL GEAR 37		1		84834000		
014-1L	227806-3	HELICAL GEAR 37		1		84834000		
015	233938-6	RING SPRING 12		1		73209090		
016	216001-0	STEEL BALL 3.5		1		73182990		
017	256251-5	PIN 4		1		73182990		
018	424112-9	SEAL RING		1		40169390		
019	158676-8	GEAR HOUSING COVER COMPLETE		1	*	84679900		
019-1	140G48-3	GEAR HOUSING COVER COMPLETE	S	1		84679900		
020	417819-4	CHANGE LEVER		1		84679900		
021	450621-2	LEVER CASE		1		84679900		
022	345944-0	CHANGE PLATE		1		73182990		
023	211031-6	BALL BEARING 608LLB		1		84821090		
024	241869-5	FAN 55		1		84145190		
025A	515309-2	ARMATURE ASS'Y 240V		1	*	85030090		
D10		INC. 23,24,26,27			*			
025-1A	513439-3	ARMATURE ASS'Y 240V	S	1		85030090		
D10		INC. 23,24,26,27						
025-1C	513439-3	ARMATURE ASS'Y 240V	S	1		85030090		
D10		INC. 23,24,26,27						
025-1L	518170-6	ARMATURE ASS'Y 115V		1				
D10		INC. 23,24,26,27						
026	681636-0	INSULATION WASHER		1		73182200		
027	211021-9	BALL BEARING 607LLB		1		84821090		
028	421808-3	RUBBER RING 19		1		40169390		
029	450620-4	BAFFLE PLATE		1		84679900		
030	266415-3	TAPPING SCREW 4X55		2		73181500		
031	344871-8	RETAINER		2		73182200		
032	417237-6	INSULATION COVER		2		84679900		
033A	626604-6	FIELD 240V		1		85030090		

Item	Parts No.	Description	I/C	QTY	N/O	Opt. 1	Opt. 2	NOTE
033C	626604-6	FIELD 240V		1		85030090		
033L	628183-0	FIELD 115V		1				
034	450617-3	MOTOR HOUSING		1	*	84679900		
034-1	457967-7	MOTOR HOUSING	<	1				
035	865364-7	HP1630 NAME PLATE		1				
036	158677-6	HANDLE COVER COMPLETE		1		84679900		
037	266326-2	TAPPING SCREW 4X18		4		73181500		
038A	643563-9	BRUSH HOLDER 5X8		2	*	82078000		
038-1A	643566-3	BRUSH HOLDER 5X8	O	2		82078000		
038-1C	643566-3	BRUSH HOLDER 5X8		2		82078000		
038-1L	643566-3	BRUSH HOLDER 5X8		2		82078000		
039	191998-3	CARBON BRUSH CB-85		1		85452000		
041A	650586-0	SWITCH DGQ-1104H		1	*	85366990		
041-1A	650695-5	SWITCH C3GA-2L	S	1				
041-1C	650695-5	SWITCH C3GA-2L		1				
041-1L	650695-5	SWITCH C3GA-2L		1				
042	266326-2	TAPPING SCREW 4X18		2		73181500		
043	687123-7	STRAIN RELIEF		1		84679900		
044	682569-2	CORD GUARD 8-85		1		73182990		
045	666053-5	POWER SUPPLY CORD 1.0-2-2.0		1		85442090		
A01	418163-2	KEY HOLDER 10		1		82078000		
A02	763441-8	CHUCK KEY S13		1		84679900		
A03C	821630-2	PLASTIC CASE		1				
C10	455522-9	SLIDE LATCH		2				
C20	452143-8	SHAFT		2				
A04C	D-52299	74PCS. BIT SET, MM, TYPE MZ		1				

Please order the parts with a part number.

Print Date 27/11/2019