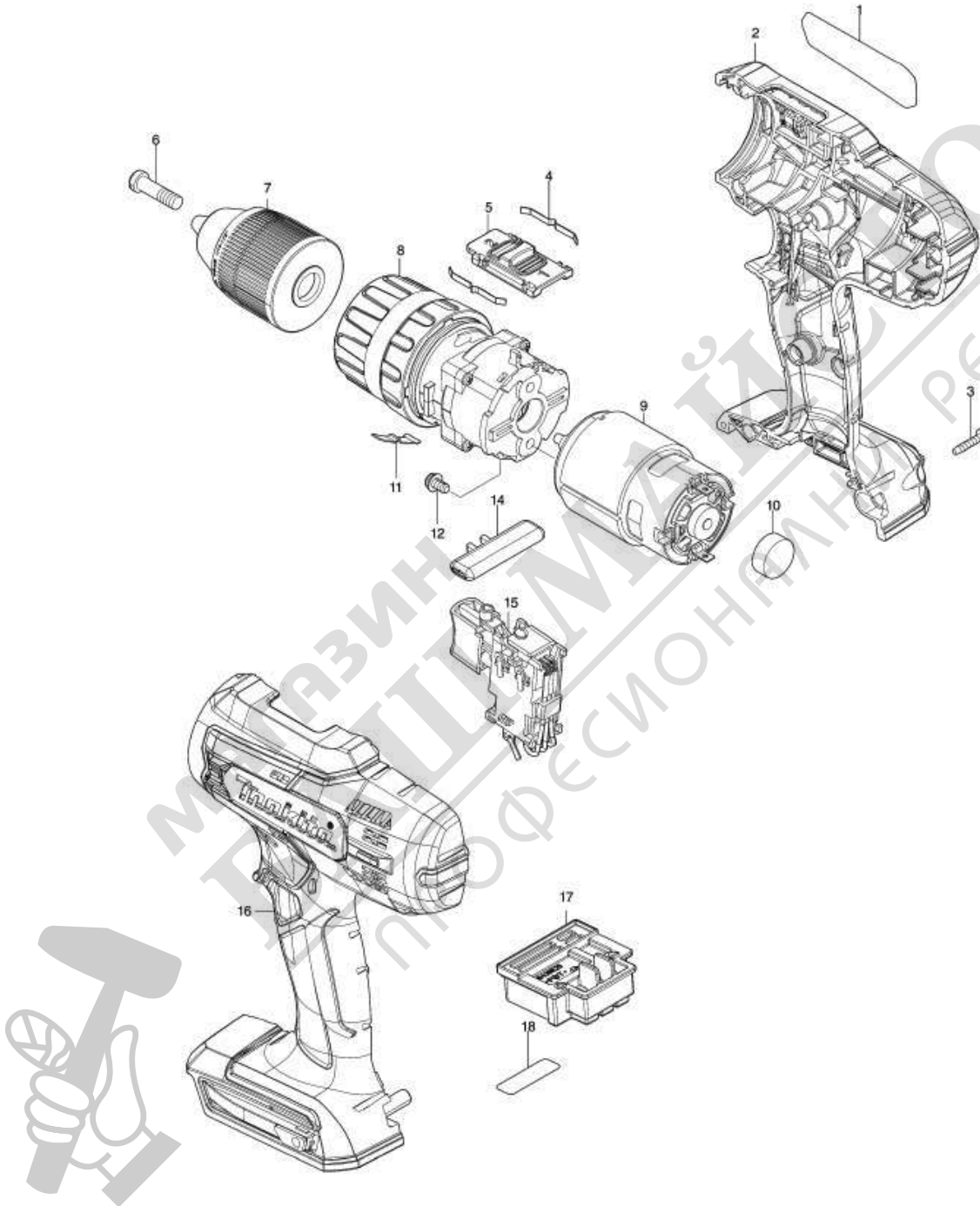


Part Diagram

Model No.HP488D CORDLESS HAMMER DRIVER DRILL



Item	Sub	Parts No.	Parts Description	Qty
1		858A41-4	HP488D NAME PLATE	1
2		183R93-1	HOUSING SET	1
2	C10	252126-6	HEX. LOCK NUT M4-7	2
2	D10		INC. 16	
3		266429-2	TAPPING SCREW 3X16	9
4		232220-0	LEAF SPRING	2
5		127754-5	SPEED CHANGE LEVER ASSEMBLY	1
5	C10	233438-6	COMPRESSION SPRING 4	2
6		251468-5	- FLAT HEAD SCREW M6X22	1
7		766004-9	KEYLESS DRILL CHUCK 13	1
8		127732-5	GEAR ASSEMBLY	1
9		629937-8	DC MOTOR	1
10		421940-3	CAP	1
11		232182-2	LEAF SPRING	1
12		911108-4	PAN HEAD SCREW M4X8	2
14		452399-3	F/R CHANGE LEVER	1
15		638887-6	SWITCH UNIT	1
16		183R93-1	HOUSING SET	1
16	C10	252126-6	HEX. LOCK NUT M4-7	2
16	D10		INC. 2	
17		643862-9	TERMINAL	1
18		858A45-6	HP488D SERIAL NO. LABEL	1
A01		784637-8	+/- BIT 2-45	1
A02		***DC18WA	DC18WA BATTERY CHARGER	1
A02	D10		COMPO-PARTS	
A03		191B96-5	BATTERY BL1815G SET	2
A04		452652-7	BATTERY COVER	1
A05		821844-3	PLASTIC CARRYING CASE	1
A05	C10	455522-9	SLIDE LATCH	2
A05B		821632-8	PLASTIC CASE	1
A06A		8027B7-6	HP488DWE PLASTIC CASE LABEL	2
A06C		8028Y3-1	HP488DWE PLASTIC CASE LABEL	2
A07B		D-52308	74PCS. BIT SET, MM, TYPE NZ	1

