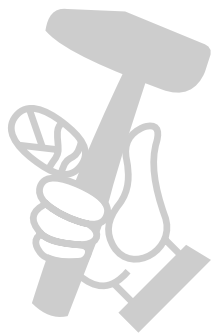
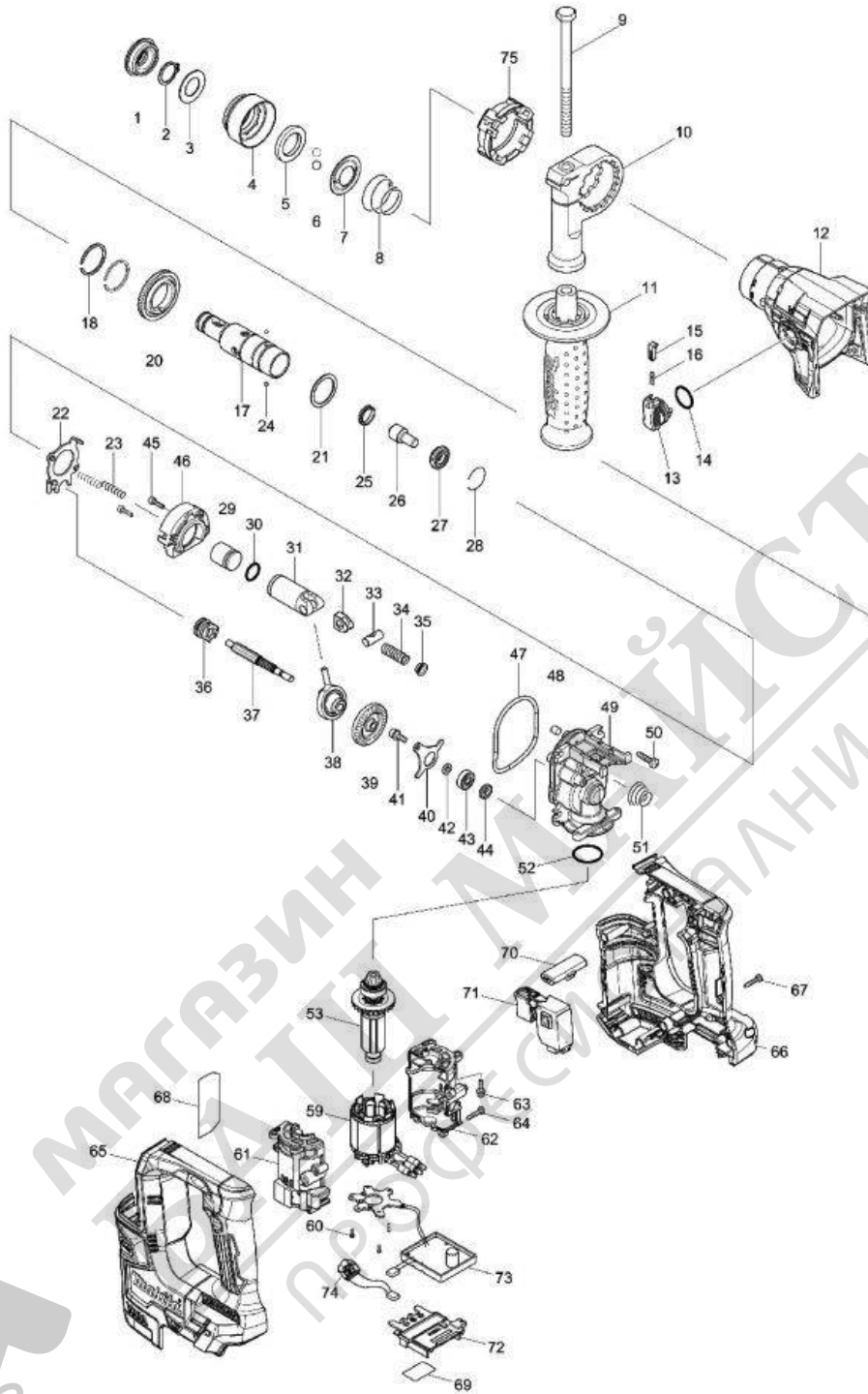


Model No.DHR171 17MM CORDLESS ROTARY HAMMER



Item	Sub	Parts No.	Parts Description	Qty
001		286037-3	CAP 34	1
002		961057-5	RETAINING RING S-17	1
003		253377-4	FLAT WASHER 17	1
004		457214-6	CHUCK COVER	1
005		257416-2	RING 21	1
006		216022-2	STEEL BALL 7.0	2
007		346177-0	GUIDE WASHER	1
008		232347-6	CONICAL COMP. SPRING 21-29	1
009		921923-8	HEX. BOLT M8X120	1
010		417911-6	GRIP BASE	1
011		158057-6	GRIP 36 COMPLETE	1
011	C10	931402-8	HEX. NUT M8	1
012		144218-4	GEAR HOUSING COMPLETE	1
012	C10	211375-4	BALL BEARING 6805LLB	1
012	C20	213788-5	OIL SEAL 25	1
013		161569-0	CHANGE LEVER COMPLETE	1
014		213278-8	O RING 17	1
015		161568-2	LOCK BUTTON COMPLETE	1
016		232344-2	COMPRESSION SPRING 3	1
017		326841-9	TOOL HOLDER	1
018		961135-1	RETAINING(EXT) WR-25	2
020		221483-3	SPUR GEAR 57	1
021		267175-0	FLAT WASHER 24	1
022		161570-5	CHANGE PLATE COMPLETE	1
023		233194-8	COMPRESSION SPRING 4	2
024		216019-1	STEEL BALL 3	2
025		213183-9	X RING 13	1
026		326843-5	IMPACT BOLT	1
027		326842-7	RING 10	1
028		232343-4	RING SPRING 23	1
029		327007-4	STRIKER	1
030		213128-7	O RING 12	1
031		319510-9	PISTON CYLINDER	1
032		347101-6	GUIDE PLATE	1
033		326846-9	PISTON JOINT	1
034		232346-8	COMPRESSION SPRING 8	1
035		347102-4	SPRING GUIDE	1
036		326845-1	CLUTCH CAM	1
037		221482-5	SPUR GEAR 8	1
038		219026-3	SWASH BEARING 6	1
039		221481-7	SPIRAL BEVEL GEAR 37	1
040		347100-8	BEARING RETAINER	1
041		266273-7	HEX. SOCKET HEAD BOLT M4X12	1
042		257415-4	RING 5	1
043		210065-6	BALL BEARING 625ZZ	1
044		326847-7	RING 5	1
045		265910-0	HEX. SOCKET HEAD BOLT M3X12	2
046		144219-2	INNER SUPPORT COMPLETE	1
047		213092-2	O-RING 60	1
047-1		213889-9	O-RING 58	1
048		443138-2	FILTER	1
049		319508-6	INNER HOUSING	1
049-1		140N37-0	INNER HOUSING COMPLETE	1
050		265995-6	TAPPING SCREW 4X18	4
051		232345-0	CONICAL COMP. SPRING 8-19	1
052		213008-7	O RING 22.4	1
053A		619421-1	ROTOR	1
053B		619421-1	ROTOR	1
053-1A		619421-1	ROTOR	1

Item	Sub	Parts No.	Parts Description	Qty
053-1B		619421-1	ROTOR	1
053-1C		619421-1	ROTOR	1
053-1D		619421-1	ROTOR	1
059		629283-9	STATOR	1
060		266490-9	TAPPING SCREW PT 2X6	3
061		183G09-0	MOTOR CASE SET	1
061	D10		INC. 62	
062		183G09-0	MOTOR CASE SET	1
062	D10		INC. 61	
063		251510-2	H. S. HEAD BOLT M3X12 WITH WRM	4
064		266130-9	TAPPING SCREW BIND PT 3X16	4
065		183H25-8	HOUSING SET	1
065	C10	252126-6	HEX. LOCKING NUT M4-7	2
065	C20	262182-8	RUBBER RING 6	2
065	C30	263005-3	RUBBER PIN 6	2
065	D10		INC. 66	
066		183H25-8	HOUSING SET	1
066	C10	252126-6	HEX. LOCKING NUT M4-7	2
066	C20	262182-8	RUBBER RING 6	2
066	C30	263005-3	RUBBER PIN 6	2
066	D10		INC. 65	
067		266130-9	TAPPING SCREW BIND PT 3X16	9
068		853R59-2	DHR171 NAME PLATE	1
069		853R80-1	DHR171 SERIAL NO. LABEL	1
070		457210-4	F/R CHANGE LEVER	1
071		650689-0	SWITCH C3JW-2B	1
072		643874-2	TERMINAL	1
073		620746-8	CONTROLLER	1
074		620747-6	LED CIRCUIT	1
A01		415486-9	DEPTH GAUGE	1
A03B		821551-8	CONNECTOR PLASTIC CASE (TYPE3)	1
A03B	C10	453974-8	LATCH	4
A03C		821731-6	PLASTIC CASE	1
A03C	C10	162302-3	LATCH	2
A03D		821731-6	PLASTIC CASE	1
A03D	C10	162302-3	LATCH	2
A04B		813S40-1	DHR171RTJ PLASTIC CASE LABEL	2
A04C		819T47-1	DHR171RFE PLASTIC CASE LABEL	2
A04D		819T48-9	DHR171RTE PLASTIC CASE LABEL	2
A05B		813S36-2	DHR171RTJ INDICATION LABEL	1
A06B		839387-1	INNER TRAY	1
A07B		450128-8	BATTERY COVER	1
A07C		450128-8	BATTERY COVER	1
A07D		450128-8	BATTERY COVER	1
A08B		***DC18RC	DC18RC FAST CHARGER	1
A08C		***DC18RC	DC18RC FAST CHARGER	1
A08D		***DC18RC	DC18RC FAST CHARGER	1
A09B		197280-8	BATTERY BL1850B SET	2
A09C		197600-6	BATTERY BL1830B SET	2
A09D		197280-8	BATTERY BL1850B SET	2
A09-1B		197280-8	BATTERY BL1850B SET	2
A09-1C		197600-6	BATTERY BL1830B SET	2
A09-1D		197280-8	BATTERY BL1850B SET	2
E01A		818S14-7	CLEAR LABEL	1
E01B		818S14-7	CLEAR LABEL	1
E01C		818S14-7	CLEAR LABEL	1
E01D		818S14-7	CLEAR LABEL	1