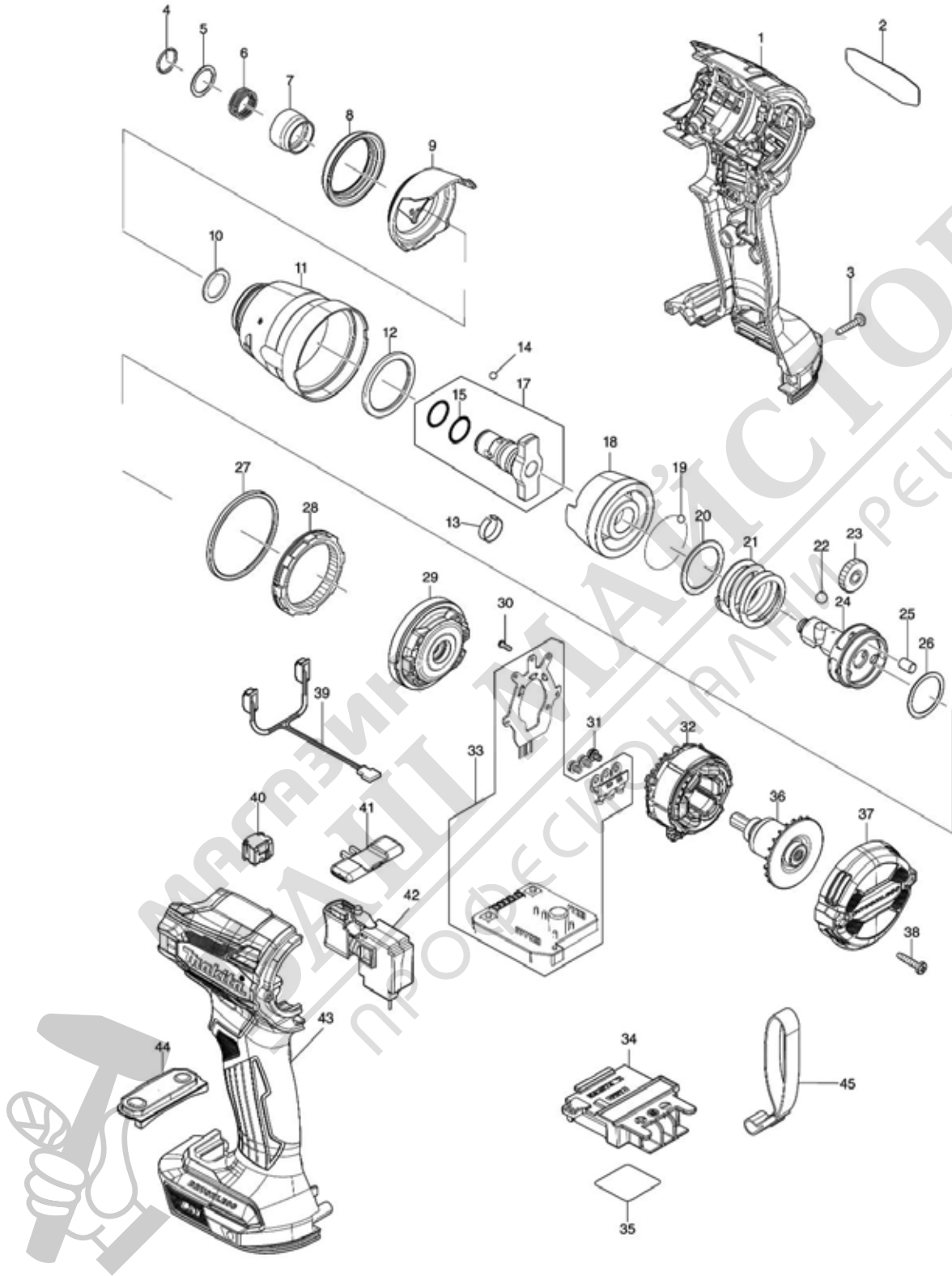


Partdrawing for DTD172RTJ - Slagschroevendraaier



Model No.DTD172 CORDLESS IMPACT DRIVER



Partdrawing for DTD172RTJ - Slagschroevendraaier



| Nr. | Part nr. | Name |
|--------|----------|------------------------------|
| 001 | 183S40-8 | Motorhuisset DTD172 |
| 001C10 | 263005-3 | Rubber Pen 6 AC320H P |
| 001C20 | 252126-6 | Borgmoer M4X7Mm Mt070 |
| 002 | 8111E5-4 | Naamplaat DTD172 |
| 003 | 266429-2 | Tapschroef 3X16 P |
| 004 | 231952-6 | Borgring 12 |
| 005 | 267101-9 | Sluitring 14 |
| 006 | 232592-3 | Drukveer 14mm TD001G |
| 007 | 327883-6 | Biithouder DTD172 P |
| 007-1 | 327783-0 | Biithouder DTD172 P |
| 008 | 422689-8 | Buffer DTD172 |
| 009 | 413493-6 | Slaghuiskap DTD172 |
| 010 | 253496-6 | Sluitring 13 DTD172 P |
| 011 | 141A40-6 | Slaghuis cpl DTD172 |
| 012 | 261168-9 | Sluitring nylon 29 DTD172 |
| 013 | 232692-9 | Bladveer DTD172 P |
| 014 | 216040-0 | Stalen Kogel 3.5 A |
| 015 | 213166-9 | O-Ring 12,5 * |
| 017 | 136562-3 | Aanslag M DTD172 P |
| 017-1 | 136519-4 | Aanslag M DTD172 A |
| 018 | 327785-6 | Slagstuk DTD172 |
| 019 | 216040-0 | Stalen Kogel 3.5 A |
| 020 | 267175-0 | Platte Ring 24 Btd132 |
| 021 | 232459-5 | Drukveer 24B DTD171 |
| 022 | 216011-7 | STALEN KOGEL 5.6 P |
| 023 | 227350-0 | Tandwiel 22 DTD172 |
| 024 | 327784-8 | As DTD172 |
| 025 | 268311-1 | Pen 5 Dtw280 |
| 026 | 267283-7 | Sluitring 21 Bfi300 |
| 027 | 422688-0 | Pakking DTD172 |
| 028 | 227882-7 | Intern tandwiel 51 DTD172 |
| 029 | 141A41-4 | Lagerhuis DTD172 |
| 030 | 266490-9 | Parker Ck 2X6Mm DDF483 P |
| 031 | 652069-6 | Kruiskop Schroef M3X6 |
| 032 | 629217-2 | Veld Dtd170 |
| 033 | 620E81-4 | Controller DTD172 |
| 034 | 643874-2 | Aansluitunit Dhp483 |
| 035 | 8111F2-7 | Label serienr DTD172 |
| 036 | 619678-4 | Anker assy DTD172 |
| 037 | 413494-4 | Achterkap DTD172 |
| 038 | 266429-2 | Tapschroef 3X16 P |
| 039 | 620F12-9 | Circuit led DTD172 |
| 040 | 632L84-8 | Schakelaar DTD171 |
| 041 | 455053-8 | Schakelknop Re Li Dtd137 148 |
| 042 | 651442-7 | Schakelaar TD001G |
| 043 | 183S40-8 | Motorhuisset DTD172 |

Partdrawing for DTD172RTJ - Slagschroevendraaier



| Nr. | Part nr. | Name |
|--------|----------|-----------------------|
| 043C10 | 263005-3 | Rubber Pen 6 AC320H P |
| 043C20 | 252126-6 | Borgmoer M4X7Mm Mt070 |
| 044 | 141F68-4 | Schakelplaat DTD172 |

МАГАЗИН
БАШ МАЙСТОРА®
ПРОФЕСИОНАЛНИ РЕШЕНИЯ

