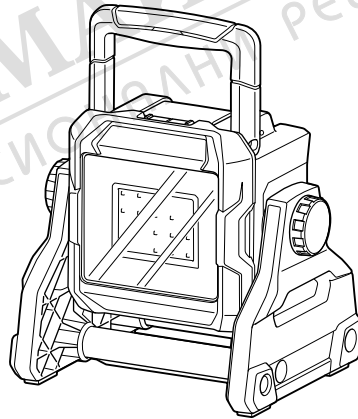


INSTRUCTION MANUAL  
MANUEL D'INSTRUCTION  
MANUAL DE INSTRUCCIONES



**Cordless Worklight**  
**Lampe de Chantier Sans Fil**  
**Linterna de Trabajo Inalámbrica**

**ML003G**



**IMPORTANT:** Read Before Using.

**IMPORTANT :** Lire avant usage.

**IMPORTANTE:** Lea antes de usar.

# SPECIFICATIONS

<b>Model:</b>	<b>ML003G</b>
LED	20pcs, 12W
Power source	14.4/18/36V DC
Dimensions (L × W × H)	249 mm × 298 mm × 280 mm (9-3/4" × 11-3/4" × 11")
Net weight	3.4 kg (7.5 lbs)
Pressure receiving area	0.06 m <sup>2</sup>
Protection degree	IP65

- Specifications may differ from country to country.
- The dimensions are with the handle lowered position.
- The weight does not include battery cartridge.
- Due to our continuing program of research and development, the specifications herein are subject to change without notice.

## Applicable battery cartridge and operating time

Voltage	Applicable battery cartridge	Operating time (Approximately)	
		High	Low
14.4V	BL1430B	3.0 hours	8.0 hours
18V	BL1815N	2.0 hours	5.0 hours
	BL1820B	2.9 hours	7.0 hours
	BL1830B, BL1830B	4.0 hours	9.0 hours
	BL1840B	5.5 hours	13 hours
	BL1850B	7.0 hours	17 hours
	BL1860B	8.5 hours	21 hours
36V	BL4025	6.0 hours	14 hours
	BL4040	10 hours	22 hours

- Some of the battery cartridges listed above may not be available depending on your region of residence.
- Operating times may differ depending on battery type, charging status, and usage condition.

**⚠ WARNING: Only use the battery cartridges listed above.** Use of any other battery cartridges may cause injury and/or fire.

## Symbols

The following show the symbols used for the equipment. Be sure that you understand their meaning before use.



- Read instruction manual.



- Optical Radiation (UV and IR).  
Minimize exposure to eyes or skin.



- Do not stare at operating lamp.



- Use appropriate shielding or eyes protection.



- Take particular care and attention!

## IMPORTANT SAFETY INSTRUCTIONS

**⚠ WARNING:** When using appliances, basic safety precautions should always be followed to reduce the risk of fire, electric shock, and personal injury, including the following:

### READ ALL INSTRUCTIONS.

1. Do not look into the light, or do not expose the light to eyes. Eyes may be damaged.
2. Do not cover the lamp with cloth or carton, etc. Otherwise it may cause a flame.
3. Do not expose it to rain or snow. Do not wash it in water.
4. Do not touch the inside of the appliance with tweezers, metal tools, etc.
5. When the appliance is not in use, always switch off and remove the battery cartridge from the appliance.
6. Do not give the appliance a shock by dropping, striking, etc.
7. Safety information for portable luminaires with batteries.
  - Battery disposal should be in compliance with your local regulations that address the disposal of hazardous materials.
  - Do not incinerate the battery.
8. Additional information for luminaires.
  - The light source contained in this luminaire shall only be replaced by the manufacturer or his service agent or a similar qualified person.

9. Battery tool use and care.
  - **WARNING:** Read all safety warnings and instructions. Failure to follow the warnings and instructions may result in electric shock, fire and/or serious injury.
  - Prevent unintentional starting. Ensure the switch is in the off-position before connecting to battery pack, picking up or carrying the appliance. Carrying the appliance with your finger on the switch or energizing appliance that have the switch on invites accidents.
  - Disconnect the battery pack from the appliance before making any adjustments, changing accessories, or storing appliance. Such preventive safety measures reduce the risk of starting the appliance accidentally.
  - Recharge only with the charger specified by the manufacturer. A charger that is suitable for one type of battery pack may create a risk of fire when used with another battery pack.
  - Use appliances only with specifically designated battery packs. Use of any other battery packs may create a risk of injury and fire.
  - When battery pack is not in use, keep it away from other metal objects, like paper clips, coins, keys, nails, screws or other small metal objects, that can make a connection from one terminal to another. Shorting the battery terminals together may cause burns or a fire.
  - Under abusive conditions, liquid may be ejected from the battery; avoid contact. If contact accidentally occurs, flush with water. If liquid contacts eyes, additionally seek medical help. Liquid ejected from the battery may cause irritation or burns.
  - Do not use a battery pack or appliance that is damaged or modified. Damaged or modified batteries may exhibit unpredictable behavior resulting in fire, explosion or risk of injury.
  - Do not expose a battery pack or appliance to fire or excessive temperature. Exposure to fire or temperature above 130 °C (265 °F) may cause explosion.
  - Follow all charging instructions and do not charge the battery pack or appliance outside of the temperature range specified in the instructions. Charging improperly or at temperatures outside of the specified range may damage the battery and increase the risk of fire.
  - Have servicing performed by a qualified repair person using only identical replacement parts. This will ensure that the safety of the product is maintained.
  - Do not modify or attempt to repair the appliance or the battery pack except as indicated in the instructions for use and care.
10. Important safety instructions for battery cartridge.
  - Before using battery cartridge, read all instructions and cautionary markings on (1) battery charger, (2) battery, and (3) product using battery.
  - Do not disassemble or tamper the battery cartridge. It may result in a fire, excessive heat, or explosion.
  - If operating time has become excessively shorter, stop operating immediately. It may result in a risk of overheating, possible burns and even an explosion.
  - If electrolyte gets into your eyes, rinse them out with clear water and seek medical attention right away. It may result in loss of your eyesight.
  - Do not short the battery cartridge.

- Do not store and use the tool and battery cartridge in locations where the temperature may reach or exceed 50 °C (122 °F).
  - Do not nail, cut, crush, throw, drop the battery cartridge, or hit against a hard object to the battery cartridge. Such conduct may result in a fire, excessive heat, or explosion.
  - Do not use a damaged battery.
  - The contained lithium-ion batteries are subject to the Dangerous Goods Legislation requirements. For commercial transports e.g. by third parties, forwarding agents, special requirement on packaging and labeling must be observed. For preparation of the item being shipped, consulting an expert for hazardous material is required. Please also observe possibly more detailed national regulations. Tape or mask off open contacts and pack up the battery in such a manner that it cannot move around in the packaging.
  - Use the batteries only with the products specified by Makita. Installing the batteries to non-compliant products may result in a fire, excessive heat, explosion, or leak of electrolyte.
  - If the tool is not used for a long period of time, the battery must be removed from the tool.
  - During and after use, the battery cartridge may take on heat which can cause burns or low temperature burns. Pay attention to the handling of hot battery cartridges.
  - Do not touch the terminal of the tool immediately after use as it may get hot enough to cause burns.
  - Do not allow chips, dust, or soil stuck into the terminals, holes, and grooves of the battery cartridge. It may result in poor performance or breakdown of the tool or battery cartridge.
  - Unless the tool supports the use near high-voltage electrical power lines, do not use the battery cartridge near high-voltage electrical power lines. It may result in a malfunction or breakdown of the tool or battery cartridge.
  - Keep the battery away from children.
11. Tips for maintaining maximum battery life.
- Charge the battery cartridge before completely discharged. Always stop tool operation and charge the battery cartridge when you notice less tool power.
  - Never recharge a fully charged battery cartridge. Overcharging shortens the battery service life.
  - Charge the battery cartridge with room temperature at 10 °C - 40 °C (50 °F - 104 °F). Let a hot battery cartridge cool down before charging it.
  - When not using the battery cartridge, remove it from the tool or the charger.
  - Charge the battery cartridge if you do not use it for a long period (more than six months).

**⚠ CAUTION:** Only use genuine Makita batteries. Use of non-genuine Makita batteries, or batteries that have been altered, may result in the battery bursting causing fires personal injury and damage. It will also void the Makita warranty for the Makita tool and charger.

## FCC caution (For United States)

This device complies with Part 15 of the FCC Rules. Operation is subject to the following two conditions: (1) this device may not cause harmful interference, and (2) this device must accept any interference received, including interference that may cause undesired operation. Changes or modifications not expressly approved by the party responsible for compliance could void the user's authority to operate the equipment.

Note: This equipment has been tested and found to comply with the limits for a Class B digital device, pursuant to part 15 of the FCC Rules. These limits are designed to provide reasonable protection against harmful interference in a residential installation. This equipment generates, uses and can radiate radio frequency energy and, if not installed and used in accordance with the instructions, may cause harmful interference to radio communications. However, there is no guarantee that interference will not occur in a particular installation. If this equipment does cause harmful interference to radio or television reception, which can be determined by turning the equipment off and on, the user is encouraged to try to correct the interference by one or more of the following measures:

- Reorient or relocate the receiving antenna.
- Increase the separation between the equipment and receiver.
- Connect the equipment into an outlet on a circuit different from that to which the receiver is connected.
- Consult the dealer or an experienced radio/TV technician for help.

## ICES-005 standard (For Canada)

CAN ICES-005(B)/NMB-005(B)

**Save all warnings and instructions for future reference.**

## FUNCTIONAL DESCRIPTION

### ⚠ CAUTION:

- Always be sure that the appliance is switched off, and the battery cartridge is removed before adjusting or checking function on the appliance.

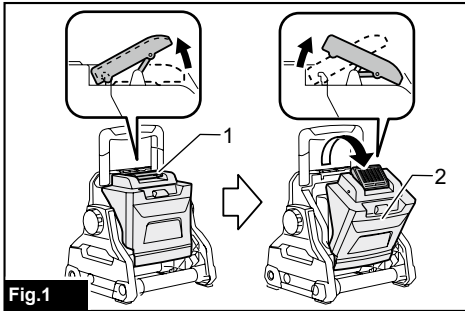
## Installing or removing battery cartridge

### ⚠ CAUTION:

- **Hold the appliance and the battery cartridge firmly when installing or removing battery cartridge.** Failure to hold the appliance and the battery cartridge firmly may cause them to slip off your hands and result in damage to the appliance and battery cartridge and a personal injury.

- Be careful not to trap finger(s) between the appliance and battery cartridge when loading battery cartridge as well as between the appliance and the battery cover when closing the battery cover.

To install the battery cartridge, release the cover lock, and open the battery cover. (Fig. 1)



► 1. Cover lock      2. Battery cover

Insert the battery cartridge. Align the tongue on the battery cartridge with the groove in the housing and slip it into place. Insert it all the way until it locks in place with a little click. If you can see the red indicator on the upper side of the button, it is not locked completely. Then close the battery cover.

To remove the battery cartridge, slide it from the tool while sliding the button on the front of the cartridge. (Fig. 2)

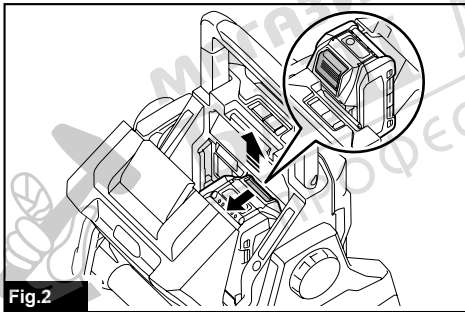


Fig.2

**⚠ CAUTION:**

- Always install the battery cartridge fully in place. If not, it may accidentally fall out of the appliance, causing injury to you or someone around you.
- Do not install the battery cartridge forcibly. If the cartridge does not slide in easily, it is not being inserted correctly.

**Indicating the remaining battery capacity (Fig. 3)**

(Only for battery cartridges with the indicator)

Press the check button on the battery cartridge to indicate the remaining battery capacity. The indicator lamps light up for few seconds.

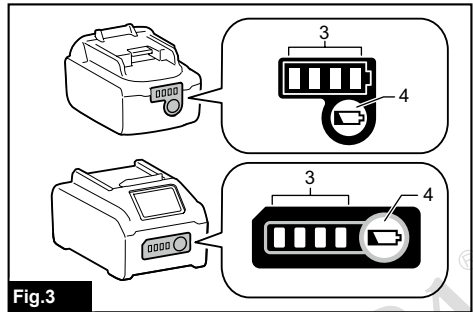


Fig.3

► 3. Indicator lamps      4. Check button

Indicator lamps			Remaining capacity
Lighted	Off	Blinking	
■ ■ ■ ■			75% to 100%
■ ■ ■ □			50% to 75%
■ ■ □ □			25% to 50%
■ □ □ □			0% to 25%
▣ □ □ □			Charge the battery.
■ ■ □ □			The battery may have malfunctioned.
□ □ ■ ■			

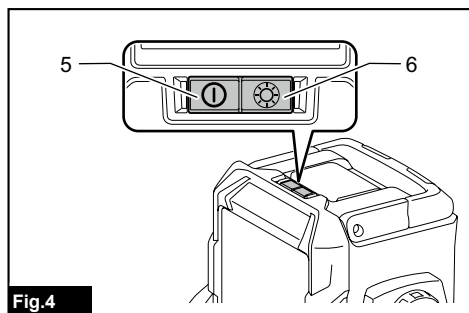
**NOTE:**

- Depending on the conditions of use and the ambient temperature, the indication may differ slightly from the actual capacity.
- The first (far left) indicator lamp will blink when the battery protection system works.

Use of non-genuine Makita batteries, or batteries that have been altered, will void the Makita warranty for the Makita appliance and charger.

### Turning on the light and brightness mode selection (Fig. 4)

1. Switch: Press the switch once, the light turns on (At the same brightness mode as the last setting). Press the switch again, the light turns off.
2. Brightness mode selection: Brightness sequence is: High mode / Low mode / High mode for each press when the light is on.



► 5. Switch                      6. Brightness mode selection

### Battery protection system (Fig. 5)

The appliance is equipped with a battery protection system to extend battery life. When the battery becomes low, the LED lights go out except one LED as illustrated. Then approximately five to ten minutes later, the system automatically cuts off power.

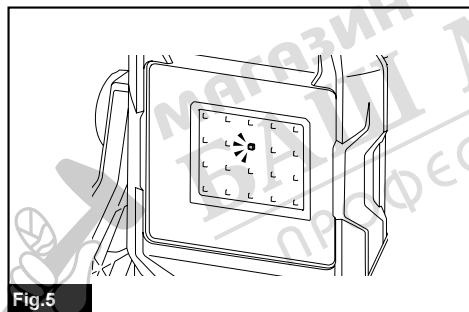


Fig.5

## OPERATION

### ⚠ CAUTION:

- Always put the appliance on flat and stable place. Otherwise a falling accident may occur.

### Adjusting the angle of the light (Fig. 6)

Loosen the knobs on the both side. Adjust the angle of the light (adjustment range is 240°). Then tighten the knobs again.

### ⚠ CAUTION:

Take care not to trap finger(s) when adjusting the angle of the light.

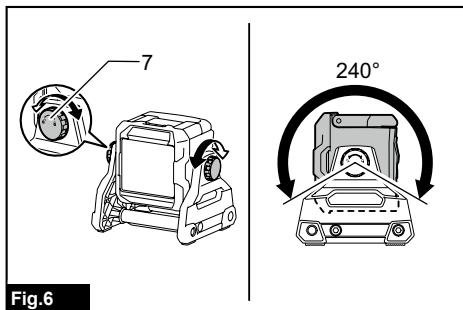


Fig.6

► 7. Knob

### Using with tripod (optional accessories)

### ⚠ CAUTION:

- Read carefully the instruction manuals of the accessories before using them with the light.

You can put the light on the tripod to facilitate the operation. (Fig. 7)

### ⚠ CAUTION:

- Be careful not to drop the appliance when attaching the appliance on the tripod.
- Place the tripod on a level and stable surface to prevent from falling.
- Spread the legs of the tripod to the maximum.
- Do not use the tripod if the wind is strong.
- Make sure that the appliance is attached securely on the tripod.
- Remove the appliance when carrying the tripod or when folding the legs of the tripod.
- Be careful not to get your hand caught in the legs of the tripod when closing the tripod.

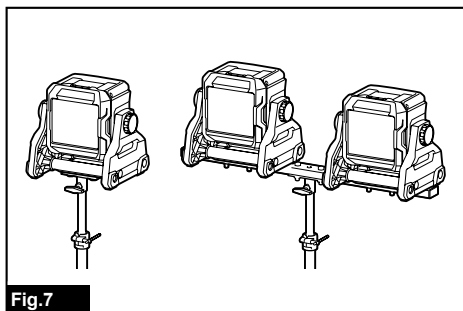


Fig.7

# MAINTENANCE

## CAUTION:

- Always be sure that the appliance is switched off, and the battery cartridge is removed before attempting to perform inspection or maintenance.
- Never use gasoline, benzine, thinner, alcohol or the like. Discoloration, deformation or cracks may result.

Only maintenance work described in this instruction manual may be performed by the user. Any other work must be carried out by Makita authorized service centers.

## Cleaning

### CAUTION:

- Never wash the appliance in water.

From time to time wipe off the outside (appliance body) of the appliance using a cloth dampened in soapy water.

# OPTIONAL ACCESSORIES

## CAUTION:

- These accessories or attachments are recommended for use with your Makita appliance specified in this manual. The use of any other accessories or attachments might present a risk of injury to persons. Only use accessory or attachment for its stated purpose.

If you need any assistance for more details regarding these accessories, ask your local Makita service center.

- Makita genuine battery and charger
- Tripod [Part No: GM00002073]

## NOTE:

- Some items in the list may be included in the appliance package as standard accessories. They may differ from country to country.

# MAKITA LIMITED WARRANTY

Please refer to the annexed warranty sheet for the most current warranty terms applicable to this product. If annexed warranty sheet is not available, refer to the warranty details set forth at below website for your respective country.

United States of America: [www.makitatools.com](http://www.makitatools.com)

Canada: [www.makita.ca](http://www.makita.ca)

Other countries: [www.makita.com](http://www.makita.com)