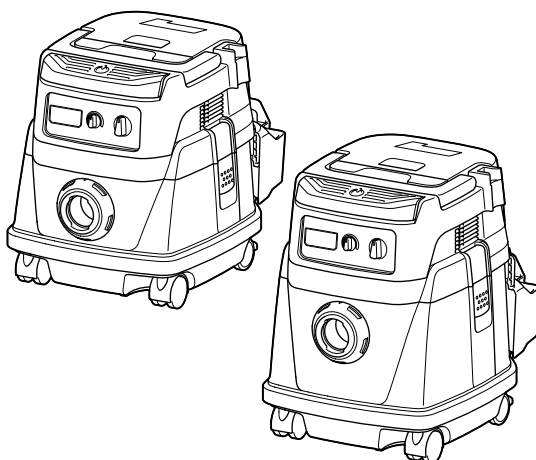
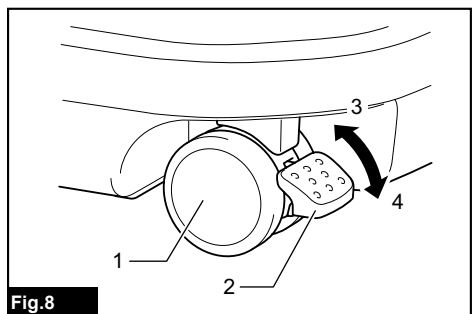
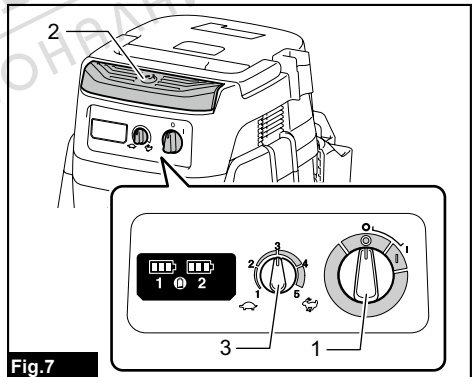
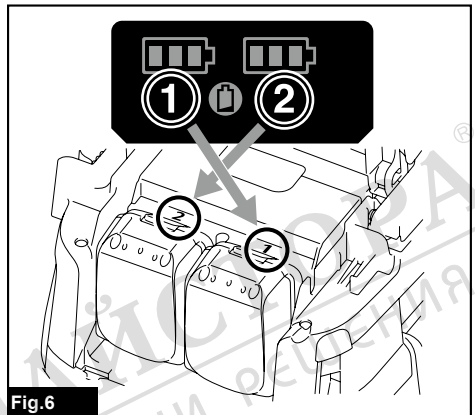
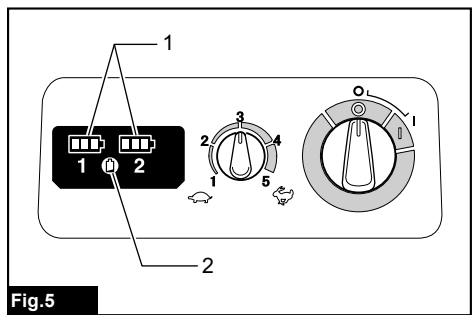
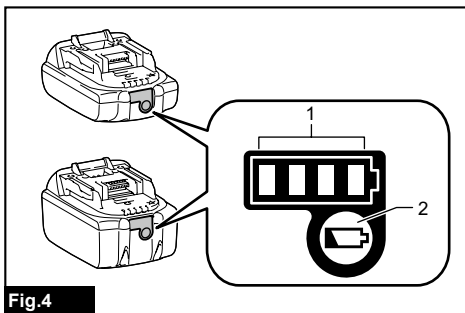
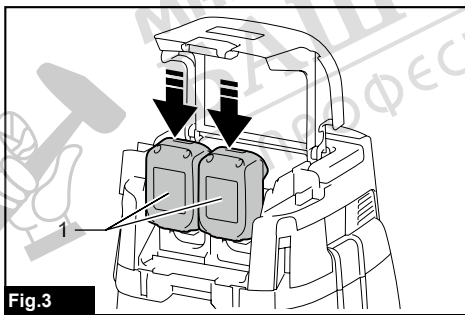
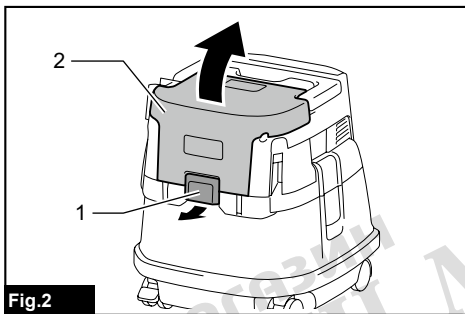
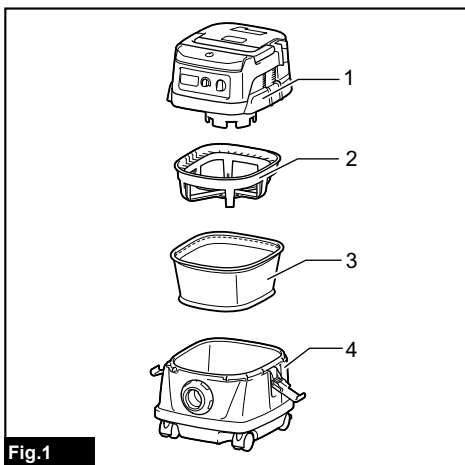




EN	Cordless Vacuum Cleaner	INSTRUCTION MANUAL	6
FR	Aspirateur Sans Fil	MANUEL D'INSTRUCTIONS	14
DE	Akku-Staubsauger	BETRIEBSANLEITUNG	23
IT	Aspirapolvere a batteria	ISTRUZIONI PER L'USO	32
NL	Accustofzuiger	GEBRUIKSAANWIJZING	41
ES	Aspiradora Inalámbrica	MANUAL DE INSTRUCCIONES	50
PT	Aspirador de Pó a Bateria	MANUAL DE INSTRUÇÕES	59
DA	Akku støvsuger	BRUGSANVISNING	68
EL	Φορητή σκούπα αναρρόφησης	ΕΓΧΕΙΡΙΔΙΟ ΟΔΗΓΙΩΝ	76
TR	Akülü Süpürge	KULLANMA KILAVUZU	86

DVC866L
DVC156L





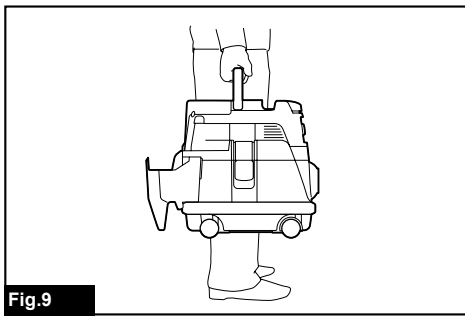


Fig.9

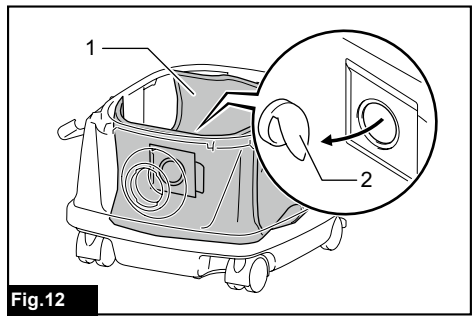


Fig.12

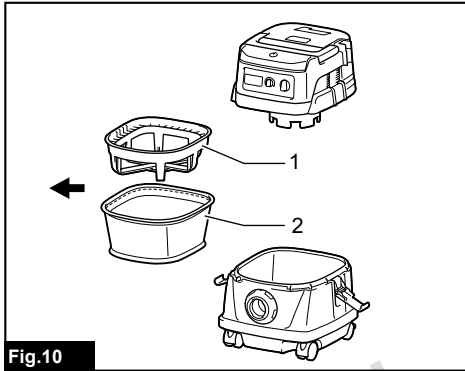


Fig.10

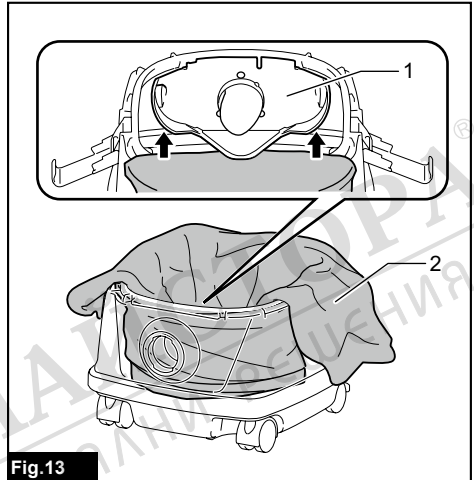


Fig.13

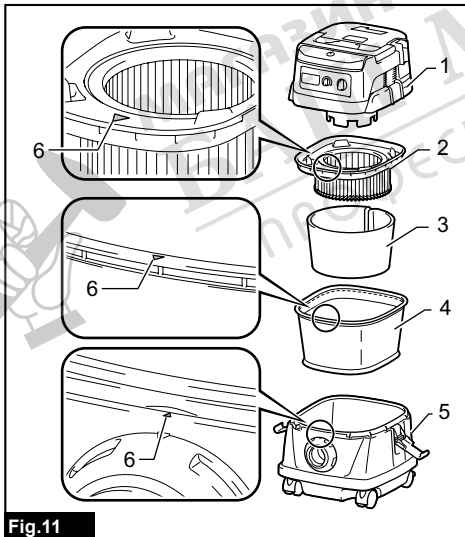


Fig.11

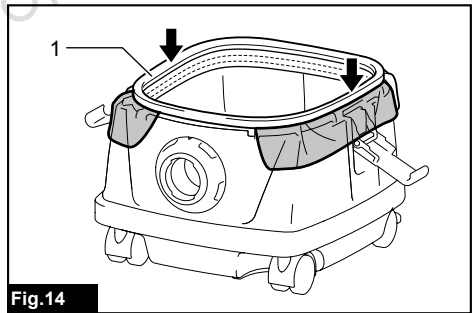


Fig.14

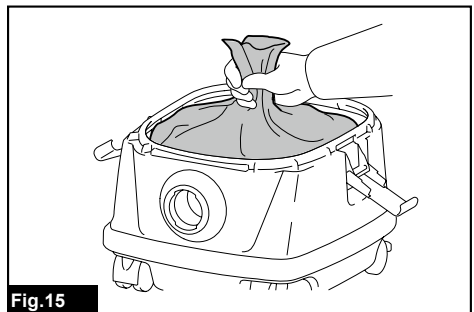
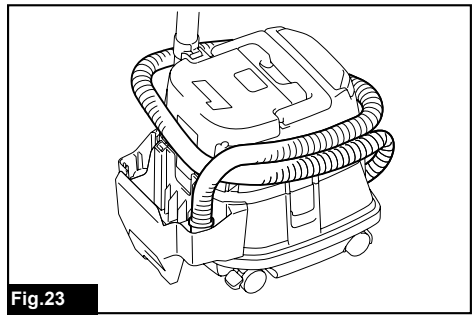
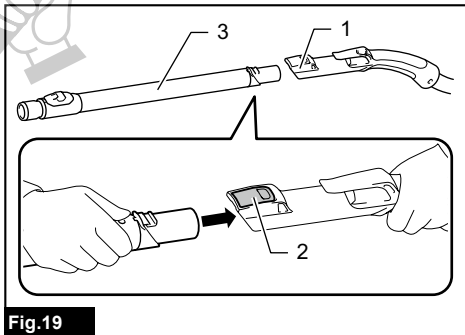
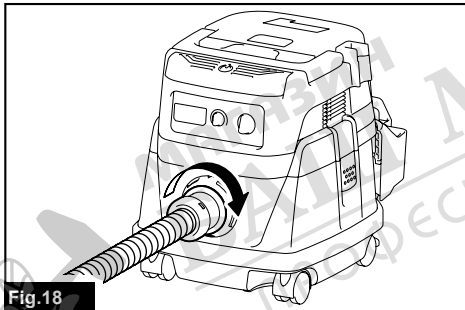
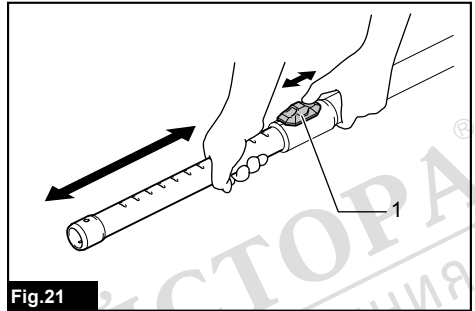
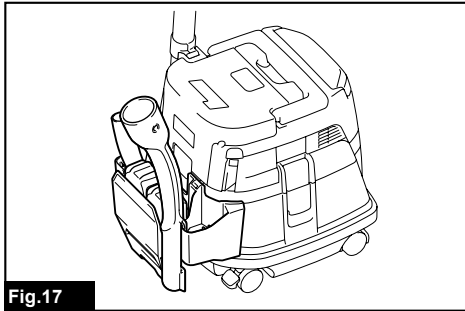
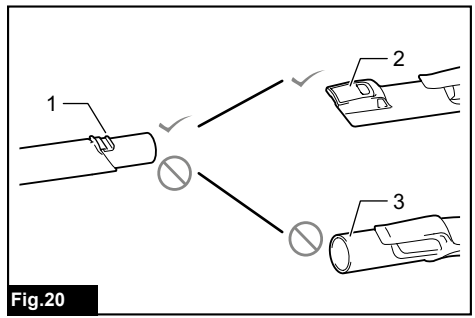
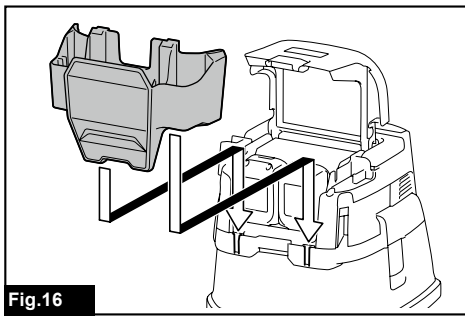


Fig.15



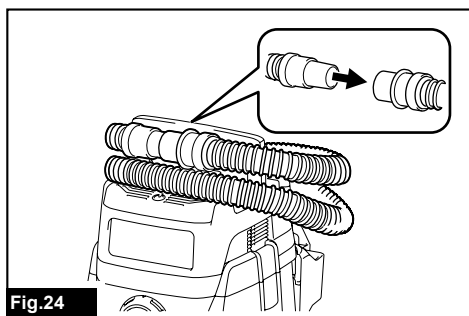


Fig.24

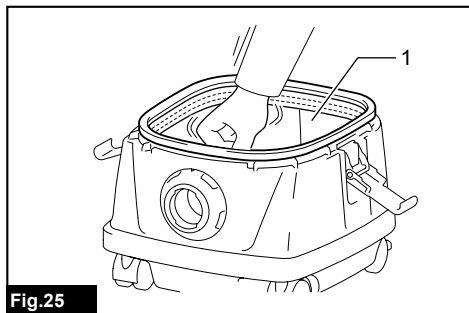


Fig.25

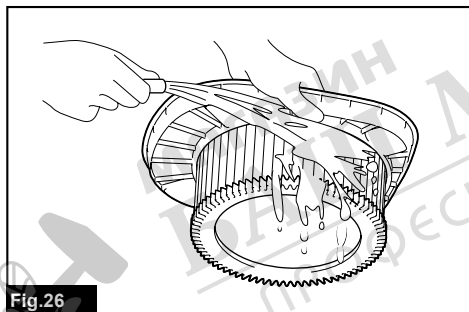


Fig.26

WARNING

- This machine is not intended for use by persons including children with reduced physical, sensory or mental capabilities, or lack of experience and knowledge.
- Children should be supervised to ensure that they do not play with the cleaner.
- See the chapter "SPECIFICATIONS" for the type reference of the battery.
- See the section "Installing or removing battery cartridge" for how to remove or install the battery.
- When disposing the battery cartridge, remove it from the tool and dispose of it in a safe place. Follow your local regulations relating to disposal of battery.
- If the tool is not used for a long period of time, the battery must be removed from the tool.
- Do not short the battery cartridge.
- See the chapter "MAINTENANCE" for the appropriate details of precautions during user maintenance.

SPECIFICATIONS

Model:	DVC866L	DVC156L
Standard filter type	Cloth filter (for dry dust)	
Maximum air volume at the end of hose (with BL1850B, ø32 mm x 1.7 m hose)	2.1 m ³ /min	
Maximum air volume at turbine (with BL1850B)	3.4 m ³ /min	
Vacuum (with BL1850B)	11 kPa	
Recoverable capacity	8 L	15 L
Dimensions (L x W x H)	366 mm x 334 mm x 368 mm	366 mm x 334 mm x 421 mm
Rated voltage	D.C. 36 V	
Net weight	7.1 - 7.7 kg	7.3 - 7.9 kg
Protection degree	IPX4	

- Due to our continuing program of research and development, the specifications herein are subject to change without notice.
- Specifications and battery cartridge may differ from country to country.
- The weight does not include accessories but battery cartridge(s). The lightest and heaviest combination weight of the appliance and battery cartridge(s) are shown in the table.

Applicable battery cartridge and charger

Battery cartridge	BL1815N / BL1820B / BL1830B / BL1840B / BL1850B / BL1860B
Charger	DC18RC / DC18RD / DC18RE / DC18SD / DC18SE / DC18SF / DC18SH / DC18WC

- Some of the battery cartridges and chargers listed above may not be available depending on your region of residence.

⚠ WARNING: Only use the battery cartridges and chargers listed above. Use of any other battery cartridges and chargers may cause injury and/or fire.

Symbols

The followings show the symbols which may be used for the equipment. Be sure that you understand their meaning before use.



Read instruction manual.



Take particular care and attention.



Warning! The cleaner may contain hazardous dust.



Never stand on the cleaner.



Dust class L (light). The cleaners are capable of picking up dust class L. Follow your country's regulations relating to dusts and to occupational health and safety.



Only for EU countries
Due to the presence of hazardous components in the equipment, waste electrical and electronic equipment, accumulators and batteries may have a negative impact on the environment and human health. Do not dispose of electrical and electronic appliances or batteries with household waste! In accordance with the European Directive on waste electrical and electronic equipment and on accumulators and batteries and waste accumulators and batteries, as well as their adaptation to national law, waste electrical equipment, batteries and accumulators should be stored separately and delivered to a separate collection point for municipal waste, operating in accordance with the regulations on environmental protection.
This is indicated by the symbol of the crossed-out wheeled bin placed on the equipment.

Intended use

The tool is intended for collecting dry dust. The tool is suitable for commercial use, for example in hotels, schools, hospitals, factories, shops, offices and rental businesses.

Noise

The typical A-weighted noise level determined according to IEC60335-2-69:

Model DVC866L

Sound pressure level (L_{pA}): 70 dB(A) or less
Uncertainty (K): 2.5 dB (A)

Model DVC156L

Sound pressure level (L_{pA}): 70 dB(A) or less
Uncertainty (K): 2.5 dB(A)

The noise level under working may exceed 80 dB (A).

NOTE: The declared noise emission value(s) has been measured in accordance with a standard test method and may be used for comparing one tool with another.

NOTE: The declared noise emission value(s) may also be used in a preliminary assessment of exposure.

⚠ WARNING: Wear ear protection.

⚠ WARNING: The noise emission during actual use of the power tool can differ from the declared value(s) depending on the ways in which the tool is used especially what kind of workpiece is processed.

⚠ WARNING: Be sure to identify safety measures to protect the operator that are based on an estimation of exposure in the actual conditions of use (taking account of all parts of the operating cycle such as the times when the tool is switched off and when it is running idle in addition to the trigger time).

Vibration

The vibration total value (tri-axial vector sum) determined according to IEC60335-2-69:

Vibration emission ($a_{h,M}$): 2.5 m/s² or less

Uncertainty (K): 1.5 m/s²

NOTE: The declared vibration total value(s) has been measured in accordance with a standard test method and may be used for comparing one tool with another.

NOTE: The declared vibration total value(s) may also be used in a preliminary assessment of exposure.

⚠ WARNING: The vibration emission during actual use of the power tool can differ from the declared value(s) depending on the ways in which the tool is used especially what kind of workpiece is processed.

⚠ WARNING: Be sure to identify safety measures to protect the operator that are based on an estimation of exposure in the actual conditions of use (taking account of all parts of the operating cycle such as the times when the tool is switched off and when it is running idle in addition to the trigger time).

EC Declaration of Conformity

For European countries only

The EC declaration of conformity is included as Annex A to this instruction manual.

SAFETY WARNINGS

Cordless vacuum cleaner safety warnings

⚠ WARNING: IMPORTANT! READ CAREFULLY all safety warnings and all instructions BEFORE USE. Failure to follow the warnings and instructions may result in electric shock, fire and/or serious injury.

1. Before use, make sure that this cleaner must be used by people who have been adequately instructed on the use of this cleaner.

2. Before use, operators shall be provided with information, instruction and training for the use of the machine and the substances for which it is to be used, including the safe method of removal and disposal of the material collected.
3. Always make sure that filters are correctly installed before use. Do not use the cleaner without filters in place. Replace a damaged filter immediately. It is recommended to have some spares as filters are consumable items.
4. **AVOID UNINTENTIONAL STARTING.** Be sure switch is OFF when installing battery(ies).
5. Do not attempt to pick up flammable materials, fire works, lighted cigarettes, hot ashes, hot metal chips, sharp materials such as razors, needles, broken glass or the like.
6. **NEVER USE THE CLEANER IN THE VICINITY OF GASOLINE, GAS, PAINT, ADHESIVES OR OTHER HIGHLY EXPLOSIVE SUBSTANCES.** The switch emits sparks when turned ON and OFF. And so does the motor commutator during operation. A dangerous explosion may result.
7. Never vacuum up toxic, carcinogenic, combustible or other hazardous materials such as asbestos, arsenic, barium, beryllium, lead, pesticides, or other health endangering materials.
8. Always place the cleaner on a horizontal flat surface to prevent it from falling or moving unintentionally.
9. Never use the cleaner outdoors in the rain.
10. For Finland, this machine is not to be used outdoors at low temperature.
11. Do not use close to heat sources (stoves, etc.).
12. If the exhaust air is returned to the room, it is necessary to provide for an adequate air change rate in the room. Reference to National regulations is necessary.
13. Do not block suction inlet/outlet/cooling vents. These vents permit cooling of the motor. Blockage should be carefully avoided otherwise the motor will burn out due to a lack of ventilation.
14. Keep proper footing and balance at all times.
15. Do not fold, tug or step on the hose.
16. Stop the cleaner immediately if you notice poor performance or anything abnormal during operation.
17. **REMOVE THE BATTERY(IES).** When not in use, before servicing, and when changing accessories.
18. Clean and service the cleaner immediately after each use to keep it in tiptop operating condition.
19. **MAINTAIN THE CLEANER WITH CARE.** Keep the cleaner clean for better and safer performance. Follow instructions for changing accessories. Keep handles dry, clean, and free from oil and grease.
20. **CHECK DAMAGED PARTS.** Before further use of the cleaner, a guard or other part that is damaged should be carefully checked to determine that it will operate properly and perform its intended function. Check for alignment of moving parts, binding of moving parts, breakage of parts, mounting, and any other conditions that may affect its operation. A guard or other part that is damaged should be properly repaired or replaced by an authorized service center unless otherwise indicated elsewhere in this instruction manual. Have defective switches replaced by authorized service center. Don't use the cleaner if switch does not turn it on and off.
21. For user servicing, the machine shall be dismantled, cleaned and serviced, as far as is reasonably practicable, without causing risk to the maintenance staff and others.
22. The machine should be technically inspected by the manufacturer, or an instructed person, at least annually, consisting of, for example, inspection of filters for damage, air tightness of the machine and proper function of the control mechanism.
23. When carrying out service or repair operations, all contaminated items which cannot be satisfactorily cleaned are to be disposed of; such items shall be disposed of in impervious bags in accordance with any current regulation for the disposal of such waste.
24. **REPLACEMENT PARTS.** When servicing, use only identical replacement parts.
25. When not in use, always store the cleaner indoors.
26. Be kind to your cleaner. Rough handling can cause breakage of even the most sturdily built cleaner.
27. Do not attempt to clean the exterior or interior with benzine, thinner or cleaning chemicals. Cracks and discoloration may be caused.
28. Do not use cleaner in an enclosed space where flammable, explosive or toxic vapors are given off by oil-base paint, paint-thinner, gasoline, some mothproofing substances, etc., or in areas where flammable dust is present.
29. Do not operate the cleaner or any tool while under the influence of drugs or alcohol.
30. As a basic rule of safety, use safety goggles or safety glasses with side shields.
31. Use a dust mask in dusty work conditions.
32. This machine is not intended for use by persons including children with reduced physical, sensory or mental capabilities, or lack of experience and knowledge.
33. Children should be supervised to ensure that they do not play with the cleaner.
34. Never handle battery(ies) and cleaner with wet hands.
35. Use extreme caution when cleaning on stairs.
36. Do not use the cleaner as a stool or work bench. The machine may fall down and may result in personal injury.
37. Do not pick up foam or soapy liquid. It can cause foam to come out of air exit, resulting in electric shock and damage to the cleaner.

Battery tool use and care

1. **Recharge only with the charger specified by the manufacturer.** A charger that is suitable for one type of battery pack may create a risk of fire when used with another battery pack.
2. **Use power tools only with specifically designed battery packs.** Use of any other battery packs may create a risk of injury and fire.
3. **When battery pack is not in use, keep it away from other metal objects, like paper clips, coins, keys, nails, screws or other small metal objects, that can make a connection from one terminal to another.** Shorting the battery terminals together may cause burns or a fire.
4. **Under abusive conditions, liquid may be ejected from the battery; avoid contact. If contact accidentally occurs, flush with water. If liquid contacts eyes, additionally seek medical help.** Liquid ejected from the battery may cause irritation or burns.
5. **Do not use a battery pack or tool that is damaged or modified.** Damaged or modified batteries may exhibit unpredictable behaviour resulting in fire, explosion or risk of injury.
6. **Do not expose a battery pack or tool to fire or excessive temperature.** Exposure to fire or temperature above 130 °C may cause explosion.
7. **Follow all charging instructions and do not charge the battery pack or tool outside the temperature range specified in the instructions.** Charging improperly or at temperatures outside the specified range may damage the battery and increase the risk of fire.
6. **Do not store and use the tool and battery cartridge in locations where the temperature may reach or exceed 50 °C (122 °F).**
7. **Do not incinerate the battery cartridge even if it is severely damaged or is completely worn out. The battery cartridge can explode in a fire.**
8. **Do not nail, cut, crush, throw, drop the battery cartridge, or hit against a hard object to the battery cartridge.** Such conduct may result in a fire, excessive heat, or explosion.
9. **Do not use a damaged battery.**
10. **The contained lithium-ion batteries are subject to the Dangerous Goods Legislation requirements.**
For commercial transports e.g. by third parties, forwarding agents, special requirement on packaging and labeling must be observed.
For preparation of the item being shipped, consulting an expert for hazardous material is required.
Please also observe possibly more detailed national regulations.
Tape or mask off open contacts and pack up the battery in such a manner that it cannot move around in the packaging.
11. **When disposing the battery cartridge, remove it from the tool and dispose of it in a safe place. Follow your local regulations relating to disposal of battery.**

SAVE THESE INSTRUCTIONS.

⚠ WARNING: DO NOT let comfort or familiarity with product (gained from repeated use) replace strict adherence to safety rules for the subject product. MISUSE or failure to follow the safety rules stated in this instruction manual may cause serious personal injury.

Important safety instructions for battery cartridge

1. Before using battery cartridge, read all instructions and cautionary markings on (1) battery charger, (2) battery, and (3) product using battery.
2. **Do not disassemble or tamper with the battery cartridge.** It may result in a fire, excessive heat, or explosion.
3. **If operating time has become excessively shorter, stop operating immediately.** It may result in a risk of overheating, possible burns and even an explosion.
4. **If electrolyte gets into your eyes, rinse them out with clear water and seek medical attention right away. It may result in loss of your eyesight.**
5. **Do not short the battery cartridge:**
 - (1) **Do not touch the terminals with any conductive material.**
 - (2) **Avoid storing battery cartridge in a container with other metal objects such as nails, coins, etc.**
 - (3) **Do not expose battery cartridge to water or rain.**
11. **Use the batteries only with the products specified by Makita.** Installing the batteries to non-compliant products may result in a fire, excessive heat, explosion, or leak of electrolyte.
13. **If the tool is not used for a long period of time, the battery must be removed from the tool.**
14. **During and after use, the battery cartridge may take on heat which can cause burns or low temperature burns. Pay attention to the handling of hot battery cartridges.**
15. **Do not touch the terminal of the tool immediately after use as it may get hot enough to cause burns.**
16. **Do not allow chips, dust, or soil stuck into the terminals, holes, and grooves of the battery cartridge.** It may cause heating, catching fire, burst and malfunction of the tool or battery cartridge, resulting in burns or personal injury.
17. **Unless the tool supports the use near high-voltage electrical power lines, do not use the battery cartridge near high-voltage electrical power lines.** It may result in a malfunction or breakdown of the tool or battery cartridge.
18. **Keep the battery away from children.**

SAVE THESE INSTRUCTIONS.

⚠ CAUTION: Only use genuine Makita batteries. Use of non-genuine Makita batteries, or batteries that have been altered, may result in the battery bursting causing fires, personal injury and damage. It will also void the Makita warranty for the Makita tool and charger.

Tips for maintaining maximum battery life

1. Charge the battery cartridge before completely discharged. Always stop tool operation and charge the battery cartridge when you notice less tool power.
2. Never recharge a fully charged battery cartridge. Overcharging shortens the battery service life.
3. Charge the battery cartridge with room temperature at 10 °C - 40 °C (50 °F - 104 °F). Let a hot battery cartridge cool down before charging it.
4. When not using the battery cartridge, remove it from the tool or the charger.
5. Charge the battery cartridge if you do not use it for a long period (more than six months).

PARTS DESCRIPTION

- Fig.1: 1. Tank cover 2. Filter cage 3. Cloth filter 4. Tank

FUNCTIONAL DESCRIPTION

CAUTION: Always be sure that the tool is switched off and the battery cartridge is removed before adjusting or checking function on the tool.

Installing or removing battery cartridge

CAUTION: Always switch off the tool before installing or removing of the battery cartridge.

CAUTION: Hold the cleaner and the battery cartridge firmly when installing or removing battery cartridge. Failure to hold the cleaner and the battery cartridge firmly may cause them to slip off your hands and result in damage to the cleaner and battery cartridge and a personal injury.

CAUTION: Be careful not to pinch your fingers when opening or closing the battery cover. Failure to do so may cause personal injury.

To install the battery cartridge, release the lock first, and then open the battery cover. After that, insert the battery cartridge.

- Fig.2: 1. Lock 2. Battery cover

Align the tongue on the battery cartridge with the groove in the housing and slip it into place. Insert it all the way until it locks in place with a little click. Then lock the battery cover.

- Fig.3: 1. Battery cartridge

To remove the battery cartridge, slide it from the tool while sliding the button in front of the cartridge.

CAUTION: Always install the battery cartridge fully until the red indicator cannot be seen. If not, it may accidentally fall out of the cleaner, causing injury to you or someone around you.

CAUTION: Do not install the battery cartridge forcibly. If the cartridge does not slide in easily, it is not being inserted correctly.

NOTE: The cleaner does not work with only one battery cartridge.

Indicating the remaining battery capacity

Only for battery cartridges with the indicator

- Fig.4: 1. Indicator lamps 2. Check button

Press the check button on the battery cartridge to indicate the remaining battery capacity. The indicator lamps light up for a few seconds.

Indicator lamps			Remaining capacity
Lighted	Off	Blinking	
			75% to 100%
			50% to 75%
			25% to 50%
			0% to 25%
			Charge the battery.
			The battery may have malfunctioned.

NOTE: Depending on the conditions of use and the ambient temperature, the indication may differ slightly from the actual capacity.




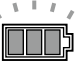
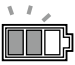
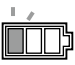
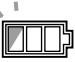
NOTE: The first (far left) indicator lamp will blink when the battery protection system works.

Indicating the remaining battery capacity

► Fig.5: 1. Battery indicator 2. Check button

► Fig.6

Press the check button to indicate the remaining battery capacities. The battery indicators correspond to each battery.

Battery indicator status			Remaining battery capacity
On	Off	Blinking	
			 50% to 100%  20% to 50%  0% to 20%  Charge the battery


Tool / battery protection system

The tool is equipped with a tool/battery protection system. This system automatically cuts off power to the motor to extend tool and battery life. The tool will automatically stop during operation if the tool or battery is placed under one of the following conditions:

Overload protection

When the tool is operated in a manner that causes it to draw an abnormally high current, the tool automatically stops without any indication. In this situation, turn the tool off and stop the application that caused the tool to become overloaded. Then turn the tool on to restart.

Overheat protection

<input type="checkbox"/> On	<input checked="" type="checkbox"/> Blinking
	

When the tool is overheated, the tool stops automatically, and the battery indicator blinks about 60 seconds. In this situation, let the product cool down before turning the tool on again.

Overdischarge protection

When the battery capacity becomes low, the tool stops automatically. If the product does not operate even when the switches are operated, remove the batteries from the tool and charge the batteries.

Switch action

► Fig.7: 1. Stand-by switch 2. Power button 3. Suction force adjusting knob



To start the cleaner:

1. Set the stand-by switch to the "I" side. The cleaner gets into stand-by state.

2. Press the power button.

To make the cleaner get into stand-by mode, press the power button again.

To turn off the cleaner, set the stand-by switch to the "O" side.

The suction power can be adjusted according to your work need. Suction power can be increased by turning the suction force adjusting knob from the  symbol to the  symbol.

NOTICE: Always set the stand-by switch to the "O" side when not using the cleaner for long time. The cleaner consumes power during stand-by state.

Locking or unlocking the caster

► Fig.8: 1. Caster 2. Stopper lever 3. FREE position 4. LOCK position

Locking the caster is convenient when storing the cleaner, stopping the work on the way and keeping the cleaner still.

To operate the stopper, move it by hand.

To lock the caster with a stopper, lower the stopper lever and the caster no longer will rotate. To release the caster from the locked position, raise the stopper lever.

NOTE: When moving the cleaner, make sure that the caster is unlocked. Moving the cleaner with the caster in the locked position may cause damage to the caster.

Carriage handle

When carrying the cleaner, carry it by holding the handle on the head. The handle is retractable at the head when not in use.

► Fig.9

ASSEMBLY

CAUTION: Always be sure that the tool is switched off and the battery cartridge is removed before carrying out any work on the tool.

CAUTION: Always wear dust mask during assembly or maintenance.

Installing the powder filter (HEPA) and prefilter (for dry dust)

Optional accessory

CAUTION: Never pick up water or other liquids or wet dusts when using the powder filter. Picking up such things may cause the powder filter breakage.

To use powder filter:

1. Remove the filter cage and cloth filter.
► **Fig.10:** 1. Filter cage 2. Cloth filter
2. Place the prefilter in the tank while aligning the mounting position markings.
3. Mount the damper on the powder filter and then place them in the prefilter while aligning the mounting position markings.
4. Mount the tank cover and lock it.
► **Fig.11:** 1. Tank cover 2. Powder filter (HEPA)
3. Damper 4. Prefilter 5. Tank 6. Mounting position marking

NOTICE: Before using the powder filter, make sure that prefilter and damper are used together. It is not allowed to install powder filter alone.

Installing the paper pack

Optional accessory

WARNING: Before using the paper pack, make sure that the cloth filter or prefilter is used together. Failure to use the cloth filter / prefilter together may cause unusual noise and heat, resulting in a fire.

NOTICE: Never pick up water or other liquids or wet dusts when using the paper pack. Picking up such things may cause the paper pack breakage.

NOTICE: When using the cloth filter, make sure that the float and the float cage are attached on the tank cover.

NOTICE: When using the prefilter, make sure that the powder filter and the damper are used together.

1. Extend the paper pack.
2. Align the paper pack opening with the dust suction opening of the cleaner.
3. Insert the cardboard part of the paper pack onto the holder so that it is positioned at the end beyond the detent protrusion.
► **Fig.12:** 1. Paper pack 2. Holder

Installing the polyethylene bag

Cleaner can also be used without polyethylene bag. However, using polyethylene bag is easier to empty the tank without letting your hands dirty.

Spread the polyethylene bag in the tank. Insert it between the holder plate and the tank, and pull it to the hose inlet.
► **Fig.13:** 1. Holder plate 2. Polyethylene bag

Spread the bag around the top of the tank so that the cloth filter / prefilter edge can catch and hold the bag securely.
► **Fig.14:** 1. Cloth filter / prefilter

NOTE: A polyethylene bag available on the market can be used. 0.04 mm or thicker one is recommended.

NOTE: Too much dust will tear the bag easily, so do not collect the dust more than the half of the bag capacity.

Emptying the polyethylene bag

WARNING: Always make sure that the cleaner is switched off and the battery cartridge is removed before emptying the polyethylene bag. Failure to do so may cause an electric shock and serious personal injury.

CAUTION: Do not apply a great impact on the tank. Applying a great impact may cause deformation and damage to the parts.

CAUTION: Empty the tank at least once a day although this depends on picked-up dust volume in the tank. Or, the suction force will weaken and the motor may be broken.

CAUTION: Do not grab the hook when emptying the tank. Grabbing the hook may cause the hook to break.

Unhook and lift up the tank cover. Shake off the dust from the cloth filter / prefilter and then take the polyethylene bag out of the tank.

► **Fig.15**

NOTE: Take the polyethylene bag carefully out of the tank so that the polyethylene bag cannot be caught and torn by the protrusion inside the tank when emptying it.

NOTE: Empty the polyethylene bag before it becomes full. Too much dust in the tank may cause the polyethylene bag to be torn.

Installing the tool box

1. Release the lock of the battery cover, and open the battery cover.
2. Set the rails on the tool box along the grooves on the housing.
3. Close the battery cover and apply the lock.
► **Fig.16**

The tool box is convenient for carrying batteries, pipe, or cuffs.

► **Fig.17**

Connecting the hose

NOTICE: Never force the hose for bending or stamp it. Never move the cleaner by a hose. Forcing, stamping and pulling the hose may cause a breakage or deformation of the hose.

NOTICE: When picking up large wastes such as planer carvings, concrete dusts or similar other than small wastes, use the 38 mm inner diameter hose (optional accessory). Using the 28 mm inner diameter hose (optional accessory) may cause a hose stuffing and damage.

Insert the hose onto the mounting port of the tank and turn it clockwise until it locks.

► **Fig.18**

Connecting the attachment with lock function

Optional accessory

Insert the attachment into the suction inlet until it clicks. To remove, pull the attachment while pushing the release button.

► **Fig.19:** 1. Suction inlet with lock function 2. Release button 3. Attachment with lock function

NOTE: The attachment with lock function is available when using the suction inlet with lock function.

► **Fig.20:** 1. Attachment with lock function 2. Suction inlet with lock function 3. Suction inlet without lock function

Adjusting the length of the slide-type extension wand

Optional accessory

With pressing the slide button, adjust the wand length. The length is locked when releasing the slide button.

► **Fig.21:** 1. Slide button

MAINTENANCE

CAUTION: Always be sure that the tool is switched off and the battery cartridge is removed before attempting to perform inspection or maintenance.

NOTICE: Never use gasoline, benzine, thinner, alcohol or the like. Discoloration, deformation or cracks may result.

To maintain product SAFETY and RELIABILITY, repairs, any other maintenance or adjustment should be performed by Makita Authorized or Factory Service Centers, always using Makita replacement parts.

Storage of accessories

The pipes can be placed into the pipe holder when not using the cleaner for a short time.

► **Fig.22**

► **Fig.23**

The hose can be stored around the tool by connecting each ends.

► **Fig.24**

Cleaning of cloth filter

Clogged cloth filter causes poor suction performance. Clean out the cloth filter from time to time.

To remove dust or particles adhering to the cloth filter, shake the frame bottom quickly several times.

► **Fig.25:** 1. Cloth filter

Cleaning of powder filter (HEPA) and prefilter

Optional accessory

Clogged powder filter, prefilter and damper cause poor suction performance. Clean out the filters and damper from time to time.

To remove dust or particles adhering to the filters, shake the frame bottom quickly several times.

Occasionally wash the powder filter in water, rinse and dry thoroughly in the shade before use. Never wash filters in a washing machine.

► **Fig.26**

NOTE: Do not rub or scratch the powder filter, the prefilter and the damper with hard objects such as a brush and a paddle.

NOTE: The filters wear out in course of time. It is recommended to have some spares for them.

OPTIONAL ACCESSORIES

CAUTION: These accessories or attachments are recommended for use with your Makita tool specified in this manual. The use of any other accessories or attachments might present a risk of injury to persons. Only use accessory or attachment for its stated purpose.

If you need any assistance for more details regarding these accessories, ask your local Makita Service Center.

- Hose
- Front cuff (22, 24, 38)
- Straight pipe
- Extension wand
- Corner nozzle
- Round brush
- Powder filter, HEPA (for dry dust)
- Damper
- Prefilter
- Nozzle assembly
- Bent pipe
- Polyethylene bag
- Paper pack
- Holder set
- Makita genuine battery and charger

NOTE: Some items in the list may be included in the tool package as standard accessories. They may differ from country to country.