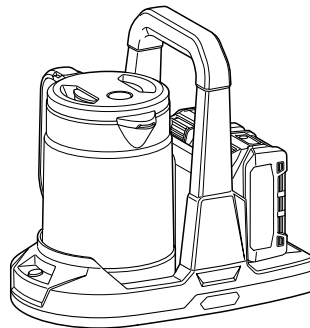




EN	Cordless Kettle	INSTRUCTION MANUAL	4
FR	Bouilloire Sans Fil	MANUEL D'INSTRUCTIONS	13
DE	Akku-Wasserkocher	BETRIEBSANLEITUNG	22
IT	Bollitore elettrico senza fili	ISTRUZIONI PER L'USO	32
NL	Accuwaterkoker	GEBRUIKSAANWIJZING	42
ES	Hervidor Inalámbrico	MANUAL DE INSTRUCCIONES	52
PT	Chaleira a Bateria	MANUAL DE INSTRUÇÕES	62
DA	Ledningsfri elkedel	BRUGSANVISNING	71
EL	Φορητός βραστήρας	ΕΓΧΕΙΡΙΔΙΟ ΟΔΗΓΙΩΝ	80
TR	Akülü Kettle	KULLANMA KILAVUZU	90
ZHTW	充電式電水壺	使用說明書	99
FA	کتري شارژی	دفترچه راهنما	115
AR	غلاية لاسلكية	دليل الإرشادات	122

KT001G



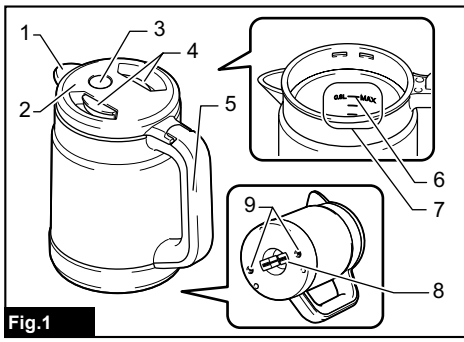


Fig.1

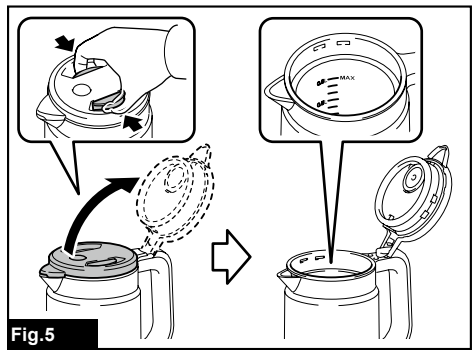


Fig.5

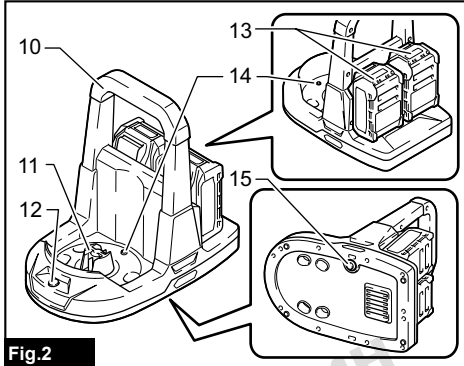


Fig.2

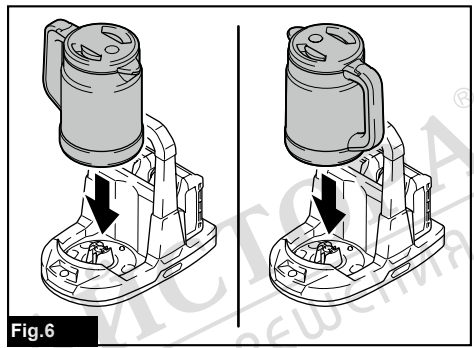


Fig.6

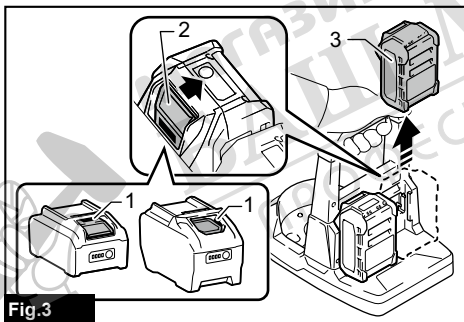


Fig.3

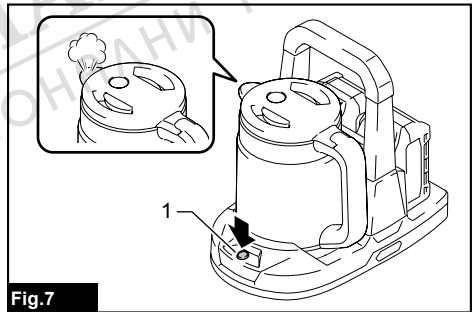


Fig.7

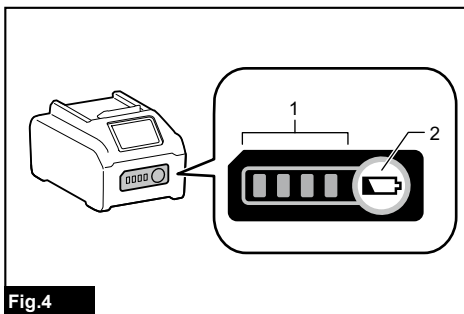
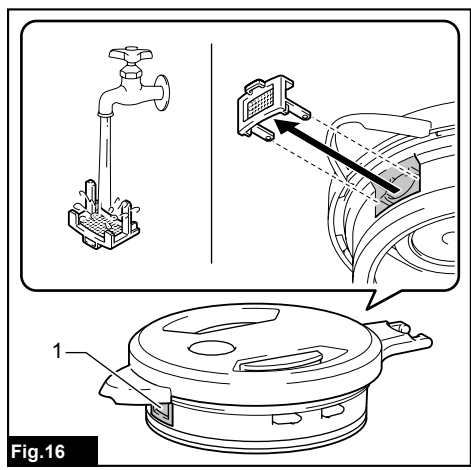
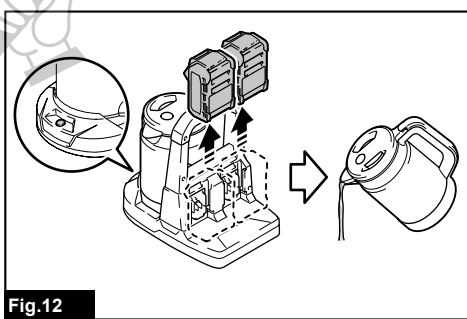
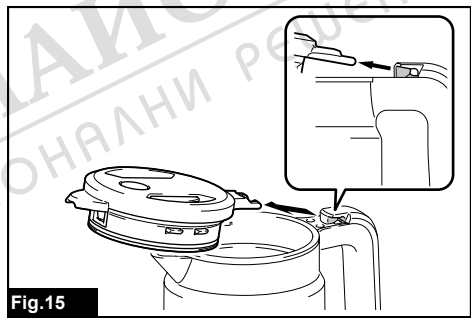
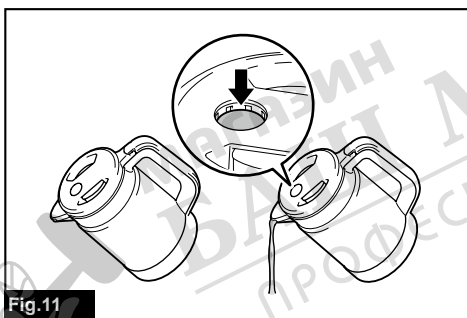
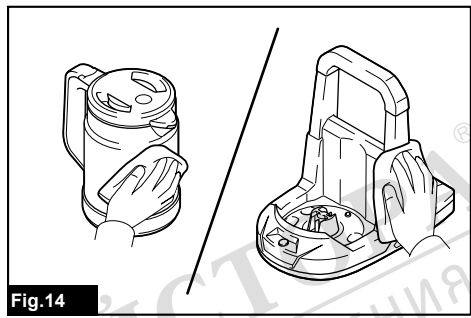
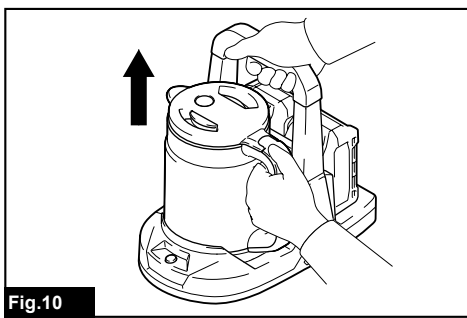
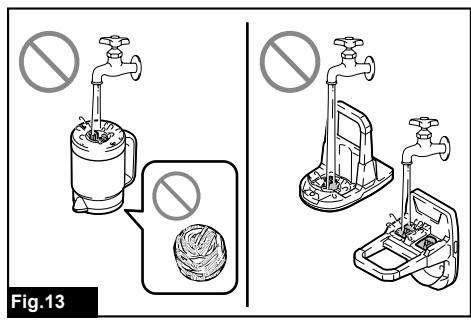
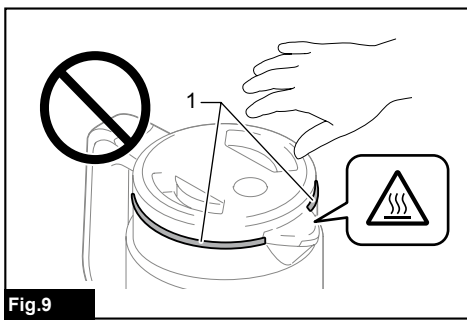


Fig.4



Fig.8



WARNING

- For users in Europe:
This appliance can be used by children aged from 8 years and above if they have been given supervision or instruction concerning use of the appliance in a safe way and if they understand the hazards involved. Cleaning and user maintenance shall not be made by children unless they are older than 8 and supervised. Keep the appliance and its cord out of reach of children aged less than 8 years. Appliances can be used by persons with reduced physical, sensory or mental capabilities or lack of experience and knowledge if they have been given supervision or instruction concerning use of the appliance in a safe way and understand the hazards involved.
Children shall not play with the appliance.
- For users in areas other than Europe:
This appliance is not intended for use by persons (including children) with reduced physical, sensory or mental capabilities, or lack of experience and knowledge, unless they have been given supervision or instruction concerning use of the appliance by a person responsible for their safety. Children should be supervised to ensure that they do not play with the appliance.
- See the chapter “MAINTENANCE” for the appropriate details of precautions during user maintenance.
- See the chapter “SPECIFICATIONS” for the type reference of the battery.
- See the section “Installing or removing battery cartridge” for how to remove or install the battery.
- When disposing the battery cartridge, remove it from the tool and dispose of it in a safe place. Follow your local regulations relating to disposal of battery.
- If the tool is not used for a long period of time, the battery must be removed from the tool.
- Do not short the battery cartridge.
- This appliance is intended to be used in household and similar applications such as:
 - staff kitchen areas in shops, offices and other working environments;
 - farm houses;
 - by clients in hotels, motels and other residential type environments;
 - bed and breakfast type environments.
- To protect against fire, electric shock, do not immerse the appliance and battery in water or in any other liquid.
- Do not overfill water in the appliance. Boiled water may be ejected and cause burn injury.
- **WARNING: Do not remove the lid while the water is boiling.**
- It is a battery-operated appliance, the battery being charged outside the appliance.
- Rechargeable batteries are to be removed from the appliance before being charged.
- Batteries are to be inserted with the correct polarity.
- Exhausted batteries are to be removed from the appliance and safely disposed of.
- Avoid spilling any liquid on the power supply connectors or the battery terminals.
- This appliance is water kettle for boiling water and there is potential of injury from misuse.

SPECIFICATIONS

Model:	KT001G
Rated voltage	D.C. 36 V - 40 V max
Capacity	0.8 L
Dimensions (L x W x H)	235 x 322 x 307 mm (without battery cartridge)
Net weight *1 (The combined value of the kettle and the power supply stand)	2.8 - 5.9 kg (with battery cartridges)
Net weight (The kettle only)	1.0 kg
Net weight (The power supply stand only)	1.1 kg (without battery cartridge)
Estimated boiling time *2	approx. 8 min. (when boiling 0.8 L 23 °C water at ambient temperature is 23 °C)

*1 The lightest and heaviest combination weight of the kettle, the power supply stand, and battery cartridges are shown in the table.

*2 Values may differ depending on battery type, charging status, and usage condition.

- Due to our continuing program of research and development, the specifications herein are subject to change without notice.
- Specifications may differ from country to country.

Amount of water that can be boiled

Battery cartridge (Full charged)	Amount of water that can be boiled*
BL4020 x 2	1.1 L
BL4025 x 2	1.2 L
BL4040 x 2	2.2 L
BL4050F x 2	3.0 L
BL4080F x 2	4.9 L
PDC1200	11.4 L

* When boiling 23 °C water at ambient temperature is 23 °C

NOTE: Amounts are approximate and may differ depending on battery type, charging status, and usage condition.

NOTE: The amount of water that can be boiled with one battery is about half of the amount when using two batteries.

Applicable battery cartridge and charger

Battery cartridge	BL4020 / BL4025 / BL4040 / BL4050F / BL4080F
Charger	DC40RA / DC40RB / DC40RC

- Some of the battery cartridges and chargers listed above may not be available depending on your region of residence.

⚠WARNING: Only use the battery cartridges and chargers listed above. Use of any other battery cartridges and chargers may cause injury and/or fire.

Recommended cord connected power source

Portable power pack	PDC1200
---------------------	---------

- The cord connected battery pack(s) listed above may not be available depending on your region of residence.
- Before using the cord connected battery pack, read instruction and cautionary markings on them.

Symbols

The followings show the symbols which may be used for the equipment. Be sure that you understand their meaning before use.



Read instruction manual.



Warning: Hot surface. Risk of burns. Do not touch until cooled.



A representative battery applicable to this product.



Only for EU countries
Due to the presence of hazardous components in the equipment, waste electrical and electronic equipment, accumulators and batteries may have a negative impact on the environment and human health. Do not dispose of electrical and electronic appliances or batteries with household waste!
In accordance with the European Directive on waste electrical and electronic equipment and on accumulators and batteries, as well as their adaptation to national law, waste electrical equipment, batteries and accumulators should be stored separately and delivered to a separate collection point for municipal waste, operating in accordance with the regulations on environmental protection.
This is indicated by the symbol of the crossed-out wheeled bin placed on the equipment.



Only for EU countries
Correct Disposal of this product
This marking indicates that this product should not be disposed with other household wastes throughout the EU. To prevent possible harm to the environment or human health from uncontrolled waste disposal, recycle it responsibly to promote the sustainable reuse of material resources.
To return your used device, please use the return and collection systems or contact the retailer where the product was purchased. They can take this product for environmental safe recycling.
Due to the presence of hazardous components in the equipment, used electrical and electronic equipment may have a negative impact on the environment and human health.

Intended use

The appliance is intended for boiling water.

SAFETY WARNINGS

Cordless Kettle safety warnings

⚠ WARNING: IMPORTANT! READ CAREFULLY all safety warnings and all instructions BEFORE USE. Failure to follow the warnings and instructions may result in electric shock, fire and/or serious injury.

1. **Do not use any accessories not recommended by the manufacturer.** Otherwise unexpected matter may occur.
2. **Do not touch hot surfaces.** Surfaces are liable to get hot during use.
3. **Do not use the appliance around explosive atmosphere.** Otherwise burns or a fire may occur.
4. **Do not use the appliance close to heat sources (stoves, etc.).**
5. **Do not use the appliance in humid or wet locations or expose it to rain.** Otherwise water may get into the appliance and electric shock may result.
6. **Put the appliance on the flat stable surface.**
7. **Do not cover the spout while boiling.** Steam cannot be discharged and may cause a malfunction or injury.
8. **Allow to cool before cleaning the appliance.** Otherwise burn injury may occur.
9. **Be careful not to lay down the appliance that contains water.** The discharge lock does not seal water completely. Water may spill, even if the discharge lock is activated.
10. **Position the appliance so that walls or furniture are not exposed to steam.** Otherwise discoloration, deformation or cracks may result.
11. **Boil only water. Do not boil other than water like milk, tea, or soup etc.** Otherwise the contents may be ejected and cause an injury, or the appliance may get dirty or malfunction may occur.
12. **Do not put anything other than water in the kettle, like a bottle or cup etc.** Otherwise the water may be ejected and cause an injury, or the appliance may get dirty or malfunction may occur.
13. **Do not open the lid immediately after boiling.** Otherwise boiled water may drip and cause burn injury.

⚠ WARNING: DO NOT let comfort or familiarity with product (gained from repeated use) replace strict adherence to safety rules for the subject product. MISUSE or failure to follow the safety rules stated in this instruction manual may cause serious personal injury.

Safety warnings for battery-operated appliance

Battery-operated appliance use and care

1. **Prevent unintentional starting. Ensure the switch is in the off-position before connecting to battery pack, picking up or carrying the appliance.** Carrying the appliance with your finger on the switch or energizing appliance that have the switch on invites accidents.
2. **Disconnect the battery pack from the appliance before making any adjustments, changing accessories, or storing appliance.** Such preventive safety measures reduce the risk of starting the appliance accidentally.
3. **Recharge only with the charger specified by the manufacturer.** A charger that is suitable for one type of battery pack may create a risk of fire when used with another battery pack.
4. **Use appliances only with specifically designated battery packs.** Use of any other battery packs may create a risk of injury and fire.
5. **When battery pack is not in use, keep it away from other metal objects, like paper clips, coins, keys, nails, screws or other small metal objects, that can make a connection from one terminal to another.** Shorting the battery terminals together may cause burns or a fire.
6. **Under abusive conditions, liquid may be ejected from the battery; avoid contact. If contact accidentally occurs, flush with water. If liquid contacts eyes, additionally seek medical help.** Liquid ejected from the battery may cause irritation or burns.
7. **Do not use a battery pack or appliance that is damaged or modified.** Damaged or modified batteries may exhibit unpredictable behaviour resulting in fire, explosion or risk of injury.
8. **Do not expose a battery pack or appliance to fire or excessive temperature.** Exposure to fire or temperature above 130 °C may cause explosion.
9. **Follow all charging instructions and do not charge the battery pack or appliance outside the temperature range specified in the instructions.** Charging improperly or at temperatures outside the specified range may damage the battery and increase the risk of fire.
10. **Have servicing performed by a qualified repair person using only identical replacement parts.** This will ensure that the safety of the product is maintained.
11. **Do not modify or attempt to repair the appliance or the battery pack except as indicated in the instructions for use and care.**

Important safety instructions for battery cartridge

1. **Before using battery cartridge, read all instructions and cautionary markings on (1) battery charger, (2) battery, and (3) product using battery.**
2. **Do not disassemble or tamper with the battery cartridge.** It may result in a fire, excessive heat, or explosion.
3. **If operating time has become excessively shorter, stop operating immediately. It may result in a risk of overheating, possible burns and even an explosion.**
4. **If electrolyte gets into your eyes, rinse them out with clear water and seek medical attention right away. It may result in loss of your eyesight.**
5. **Do not short the battery cartridge:**
 - (1) **Do not touch the terminals with any conductive material.**
 - (2) **Avoid storing battery cartridge in a container with other metal objects such as nails, coins, etc.**
 - (3) **Do not expose battery cartridge to water or rain.**

A battery short can cause a large current flow, overheating, possible burns and even a breakdown.
6. **Do not store and use the appliance and battery cartridge in locations where the temperature may reach or exceed 50 °C (122 °F).**
7. **Do not incinerate the battery cartridge even if it is severely damaged or is completely worn out. The battery cartridge can explode in a fire.**
8. **Do not nail, cut, crush, throw, drop the battery cartridge, or hit against a hard object to the battery cartridge.** Such conduct may result in a fire, excessive heat, or explosion.
9. **Do not use a damaged battery.**
10. **The contained lithium-ion batteries are subject to the Dangerous Goods Legislation requirements.**

For commercial transports e.g. by third parties, forwarding agents, special requirement on packaging and labeling must be observed.
For preparation of the item being shipped, consulting an expert for hazardous material is required.
Please also observe possibly more detailed national regulations.
Tape or mask off open contacts and pack up the battery in such a manner that it cannot move around in the packaging.
11. **When disposing the battery cartridge, remove it from the appliance and dispose of it in a safe place. Follow your local regulations relating to disposal of battery.**
12. **Use the batteries only with the products specified by Makita.** Installing the batteries to non-compliant products may result in a fire, excessive heat, explosion, or leak of electrolyte.
13. **If the appliance is not used for a long period of time, the battery must be removed from the appliance.**

14. During and after use, the battery cartridge may take on heat which can cause burns or low temperature burns. Pay attention to the handling of hot battery cartridges.
15. Do not touch the terminal of the appliance immediately after use as it may get hot enough to cause burns.
16. Do not allow chips, dust, or soil stuck into the terminals, holes, and grooves of the battery cartridge. It may result in poor performance or breakdown of the appliance or battery cartridge.
17. Unless the appliance supports the use near high-voltage electrical power lines, do not use the battery cartridge near high-voltage electrical power lines. It may result in a malfunction or breakdown of the appliance or battery cartridge.
18. Keep the battery away from children.

SAVE THESE INSTRUCTIONS.

CAUTION: Only use genuine Makita batteries. Use of non-genuine Makita batteries, or batteries that have been altered, may result in the battery bursting causing fires, personal injury and damage. It will also void the Makita warranty for the Makita appliance and charger.

Tips for maintaining maximum battery life

1. Charge the battery cartridge before completely discharged. Always stop appliance operation and charge the battery cartridge when you notice less appliance power.
2. Never recharge a fully charged battery cartridge. Overcharging shortens the battery service life.
3. Charge the battery cartridge with room temperature at 10 °C - 40 °C (50 °F - 104 °F). Let a hot battery cartridge cool down before charging it.
4. When not using the battery cartridge, remove it from the appliance or the charger.
5. Charge the battery cartridge if you do not use it for a long period (more than six months).

PARTS DESCRIPTION

Kettle
► Fig.1

1	Spout	2	Lid
3	Discharge lock button	4	Open-lid button
5	Handle	6	Maximum line
7	Water volume scale	8	Power supply connector (bottom side)
9	Temperature sensor	-	-

Power supply stand

► Fig.2

10	Carrying handle	11	Power supply connector
12	Power switch	13	Battery cartridge
14	Temperature sensor	15	Ground sensing element

FUNCTIONAL DESCRIPTION

CAUTION: Always be sure that the appliance is switched off and the battery cartridge is removed before adjusting or checking function on the appliance.

Installing or removing battery cartridge

CAUTION: Always switch off the appliance before installing or removing of the battery cartridge.

CAUTION: Hold the appliance and the battery cartridge firmly when installing or removing battery cartridge. Failure to hold the appliance and the battery cartridge firmly may cause them to slip off your hands and result in damage to the appliance and battery cartridge and a personal injury.

To remove the battery cartridge, slide it from the appliance while sliding the button on the front of the cartridge.

To install the battery cartridge, align the tongue on the battery cartridge with the groove in the housing and slip it into place. Insert it all the way until it locks in place with a little click. If you can see the red indicator on the upper side of the button, it is not locked completely.

► Fig.3: 1. Red indicator 2. Button 3. Battery cartridge

CAUTION: Always install the battery cartridge fully until the red indicator cannot be seen. If not, it may accidentally fall out of the tool, causing injury to you or someone around you.

CAUTION: Do not install the battery cartridge forcibly. If the cartridge does not slide in easily, it is not being inserted correctly.

NOTE: Up to two battery cartridges can be installed, although the appliance uses one battery cartridge for operation.

Indicating the remaining battery capacity

Press the check button on the battery cartridge to indicate the remaining battery capacity. The indicator lamps light up for a few seconds.

► **Fig.4:** 1. Indicator lamps 2. Check button

Indicator lamps			Remaining capacity
Lighted	Off	Blinking	
■ ■ ■ ■			75% to 100%
■ ■ ■ □			50% to 75%
■ ■ □ □			25% to 50%
■ □ □ □			0% to 25%
◐ □ □ □			Charge the battery.
■ ■ □ □			The battery may have malfunctioned.
□ □ ■ ■	↑ ↓		

NOTE: Depending on the conditions of use and the ambient temperature, the indication may differ slightly from the actual capacity.

NOTE: The first (far left) indicator lamp will blink when the battery protection system works.

Appliance / battery protection system

The appliance and battery are equipped with the protection system. This system automatically cuts off power to the motor to extend appliance and battery life. The appliance will automatically stop during operation if the appliance or battery is placed under one of the following conditions.

- **Overload protection :** When the appliance or battery is operated in a manner that causes it to draw an abnormally high current, the appliance automatically stops without any indication. In this situation, turn the appliance off and stop the application that caused the appliance to become overloaded. Then turn the appliance on to restart.
- **Overheat protection :** When the appliance or battery is overheated, the appliance automatically stops. Let the appliance cool down before turning it on again.
- **Overdischarge protection :** When the battery capacity becomes low, the appliance stops automatically. If the appliance does not operate even when the switches are operated, remove the battery cartridge from the appliance and charge it.

Protections against other causes

Protection system is also designed for other causes that could damage the appliance and allows the appliance to stop automatically. Take all the following steps to clear the causes, when the appliance has been brought to a temporary halt or stop in operation.

1. Turn the appliance off, and then turn it on again to restart.
2. Charge the battery(ies) or replace it/them with recharged battery(ies).
3. Let the appliance and battery(ies) cool down.

If no improvement can be found by restoring protection system, then contact your local Makita Service Center.

Using appliance with cord connected power source

Before using the cord connected power source, read instructions and cautionary markings on it.

⚠ WARNING: When using the appliance with the cord connected power source, put the cord connected power source on the stable surface. This appliance is used in static position. Using the cord connected power source which you carry on your back may cause falling accident.

OPERATION

Preparation

When using the appliance for the first time, or after long period of storage, perform the following steps.

1. Remove all packing materials from the appliance.
2. Clean the interior of the kettle and filter. There may be dirt such as dust on them.

See the chapter "MAINTENANCE" for how to clean.

Boiling water

⚠ CAUTION: Boil only water. Do not boil other than water.

⚠ CAUTION: Do not put the appliance on an unstable place, a place where people often pass, or a place where children can reach. Otherwise the appliance may be accidentally tipped over and cause an injury.

⚠ CAUTION: When closing the lid, push the lid securely and put the discharge lock button in locked position. Otherwise burn injury may occur when falling accident occurs.

1. Open the lid while pushing both of the open-lid buttons.
2. Pour preferred amount of fresh tepid water into the kettle. Then close the lid.

⚠CAUTION: Make sure the discharge lock button is in locked position. Otherwise boiled water may be spilled unintentionally and cause burn injury.

⚠CAUTION: Do not over fill water exceeding the maximum line. Otherwise boiled water may be ejected and cause burn injury.

NOTICE: Prevent no-water burning, do not turn on the appliance without water. Otherwise discoloration or malfunction may occur.

► Fig.5

3. Put the kettle onto the power supply stand.
► Fig.6

4. Push the power switch.

The power switch lights up in orange with single beep sound, then boiling starts.

► Fig.7: 1. Power switch

⚠CAUTION: Make sure that the lid is closed. Otherwise large volume of steam may discharge and burn injury may occur.

⚠CAUTION: Make sure that the discharge lock button is in locked position. Otherwise a large volume of steam may discharge and burn injury may occur.

⚠CAUTION: Do not touch the steam. Risk of burn injury.

► Fig.8

⚠CAUTION: Do not touch around ⚠ mark and the metal part located in the figure during boiling or some time after boiling. Risk of burn injury.

► Fig.9: 1. Metal part that may extreme hot

NOTE: If you press the power switch right after boiling operation, the appliance may not work due to the protection against high temperature. In this case, allow the appliance to cool and then press the power switch again.

When the boiling is finished, the appliance turns off automatically with a few seconds of beep sound.

NOTE: When you lift the kettle or the power supply stand while boiling, the appliance stop boiling and the power switch blinks in orange.

— If you return the kettle or the power supply stand while the power switch is blinking, the appliance restarts boiling automatically.

— Few seconds after you lift the kettle or the power supply stand, the appliance turns off.

NOTE: When the battery capacity becomes low while boiling, the appliance turns off and the power switch blinks in red for a few seconds with three beep sounds.

NOTE: If you turn on the appliance when all battery capacities are low, the appliance turns off within a few seconds with a single beep sound.

5. Lift the kettle while holding the carrying handle of the power supply stand.

► Fig.10

6. Pour the water.

⚠CAUTION: Be careful not to get burned while pouring boiled water.

To prevent accidental water discharge, the discharge lock button is provided. Push the discharge lock button to pour the water.

► Fig.11

Carrying

⚠WARNING: Do not carry the kettle with the power supply stand while heating water or with the boiled water in the kettle. Otherwise burn injury may result when falling accident occurs.

When carrying the appliance, hold the carrying handle.

MAINTENANCE

⚠WARNING: All parts should be replaced at an Authorized Service Center.

⚠CAUTION: Always be sure that the appliance is switched off, unplugged, and the battery cartridge is removed before attempting to perform inspection or maintenance.

⚠CAUTION: Do not touch the kettle immediately after discharging the boiled water. Wait until the kettle is cooled down completely. Otherwise a burn injury may occur.

⚠CAUTION: Make sure the kettle is empty before attempting to perform inspection or maintenance. Otherwise accidents may occur.

► Fig.12

NOTICE: Never use gasoline, benzine, thinner, alcohol or the like. Discoloration, deformation or cracks may result.

NOTICE: Do not use the dishwasher, dish dryer, or hairdryer.

NOTICE: Do not use polishing powder, bleach, cleanser, metal scrubbing brush, chemical scrubbing brush, etc.

NOTICE: Do not wash the kettle and the power supply stand. Do not wet the power supply connector.

► Fig.13

To maintain product SAFETY and RELIABILITY, repairs, any other maintenance or adjustment should be performed by Makita Authorized or Factory Service Centers, always using Makita replacement parts.

Cleaning

Exterior of the appliance

After the appliance is cooled, clean exterior of the appliance using clean clothes.

If the appliance is very dirty, use a cloth dampened in soapy water. Then wipe the water off with dry cloth.

► Fig.14

Interior of the kettle

Remove the lid by pulling it out from the kettle as shown in the figure.

► Fig.15

Rinse well with water, then dry the inside.

Filter

Remove the filter by pulling it out from the lid as shown in the figure.

Wash the filter, then dry it.

► Fig.16: 1. Filter

To install the filter and the lid, follow the removing procedure in reverse.

Removing scales inside the kettle

Through the use of the appliance, water scale will build up inside the kettle. Water scale makes boiling inefficient. If water scales becomes noticeable, clean the inside of the kettle with citric acid.

1. Open the lid, and remove the filter from the lid.
2. Pour water up to the maximum line into the kettle.
3. Add 40 g (1.4 oz) of citric acid commercially available into the water and stir it up. Then close the lid.
4. Put the kettle on the power supply stand.
5. Push the power switch.
6. Leave the kettle for about 1 hour after boiling finished.
7. Drain the water and rinse inside of the kettle with water.
8. If you taste or smell citric acid, boil water only and drain it.

If the dirt is hard to remove, repeat steps 2 to 7.

9. Dry the kettle and install the filter on the lid.

Storage

To prevent fire or burning, allow the appliance to cool down completely before you store it. Do not store the discharged battery for long periods, as it can shorten its service life.

TROUBLESHOOTING

Before asking for repairs, conduct your own inspection first. If you find a problem that is not explained in the manual, do not attempt to disassemble the machine. Instead, ask Makita Authorized Service Centers, always using Makita replacement parts for repairs.

Symptom	Probable cause	Remedy
Not working.	Battery cartridges are installed improperly.	Install the battery cartridges as described in this manual.
	The battery cartridges are exhausted.	Charge the battery cartridges.
The appliance turns off with beep sound soon after turning on the appliance.	The temperature sensor detects high temperature because the power switch has been pressed right after boiling.	Leave the appliance off for few minutes to cool the appliance.
The appliance turns off with the power switch blinking in orange soon after turning on the appliance.	The terminal of the temperature sensor is dirty.	Wipe off the dirt on the temperature sensor using dry cloth.
	The power supply stand is tilted or placed on unstable surface.	Put the appliance on the stable, level and flat surface.
Though the boiling operation has not finished, the appliance turns off with a few seconds of beep sound just like when the boiling is finished.	The terminal of the temperature sensor is dirty.	Wipe off the dirt on the temperature sensor using dry cloth.
	The kettle is not sitting on the power supply stand properly because dust or similar is caught between the kettle and the power supply stand.	Remove any dust on the bottom of the kettle or on the power supply stand.
The power switch does not stop blinking in red. (And the power switch turn off about 10 minutes after.)	Power supply connector on the kettle and/ or the power supply stand is dirty.	Remove the battery and wipe off the dirt on the power supply connector using dry cloth.
Boiled water spills out.	Water is filled exceeding the maximum line.	Reduce water below the maximum line.
	Anything other than water is filled in the kettle.	Do not boil anything other than water.
Smells of the boiled water.	Chlorine in tap water may smell.	
	Smell of resin just after unpacking will fade away in time.	
Drops of the water on the power supply stand.	Dew condensation may occur on the appliance because of the vapor of the boiled water.	
Boiled water leaks when the kettle is tilted.	There's opening on the spout. Even if the open-lid button is in locked position, the water leaks out when the kettle is tilted.	

OPTIONAL ACCESSORIES

⚠ CAUTION: These accessories or attachments are recommended for use with your Makita appliance specified in this manual. The use of any other accessories or attachments might present a risk of injury to persons. Only use accessory or attachment for its stated purpose.

If you need any assistance for more details regarding these accessories, ask your local Makita Service Center.

- Makita genuine battery and Makita authorized charger

NOTE: Some items in the list may be included in the tool package as standard accessories. They may differ from country to country.