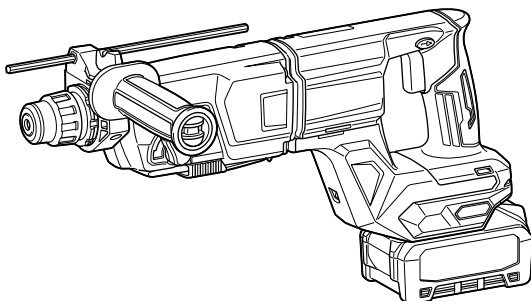




<b>EN</b>	Cordless Combination Hammer	<b>INSTRUCTION MANUAL</b>	<b>11</b>
<b>FR</b>	Marteau Combiné sans Fil	<b>MANUEL D'INSTRUCTIONS</b>	<b>25</b>
<b>DE</b>	Akku-Kombi-Bohrhammer	<b>BETRIEBSANLEITUNG</b>	<b>41</b>
<b>IT</b>	Tassellatore combinato a batteria	<b>ISTRUZIONI PER L'USO</b>	<b>58</b>
<b>NL</b>	Accucombihamer	<b>GEBRUIKSAANWIJZING</b>	<b>76</b>
<b>ES</b>	Martillo Rotativo Combinado Inalámbrico	<b>MANUAL DE INSTRUCCIONES</b>	<b>93</b>
<b>PT</b>	Martetele Combinado A Bateria	<b>MANUAL DE INSTRUÇÕES</b>	<b>110</b>
<b>DA</b>	Akku-kombinationshammer	<b>BRUGSANVISNING</b>	<b>127</b>
<b>EL</b>	Φορητό δράπανο συνδυασμού	<b>ΕΓΧΕΙΡΙΔΙΟ ΟΔΗΓΙΩΝ</b>	<b>142</b>
<b>TR</b>	Kablosuz Kombine Darbeli Matkap	<b>KULLANMA KILAVUZU</b>	<b>160</b>

## HR007G



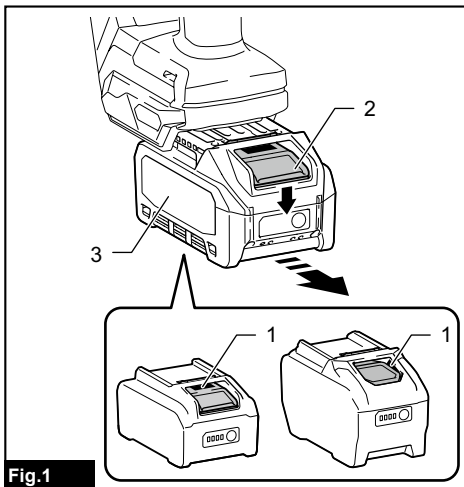


Fig.1

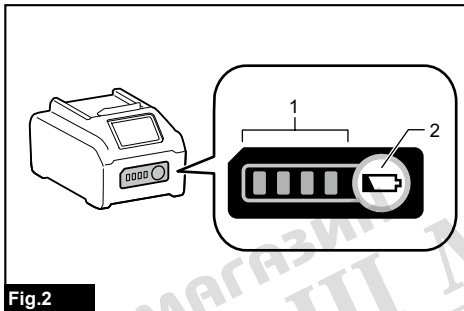


Fig.2

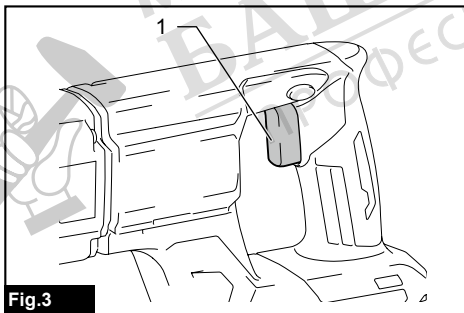


Fig.3

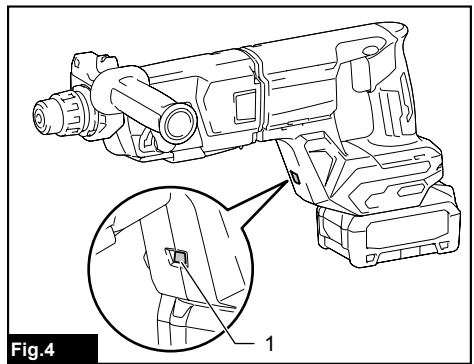


Fig.4

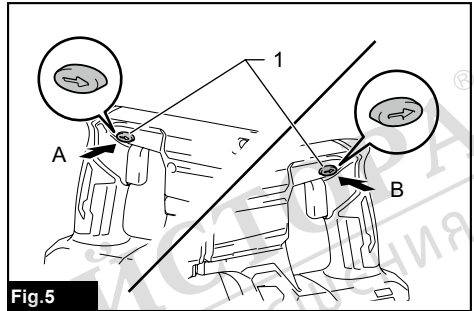


Fig.5

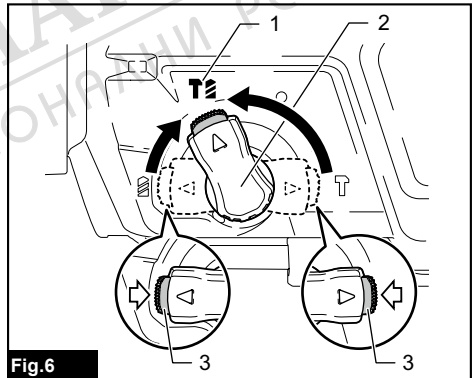


Fig.6

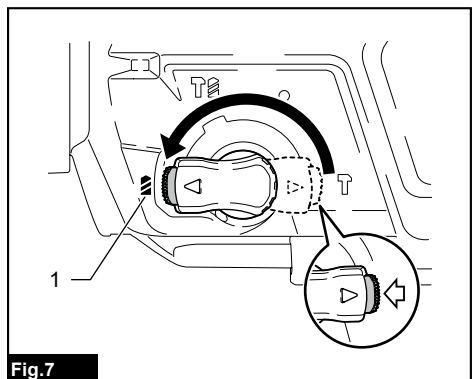


Fig.7

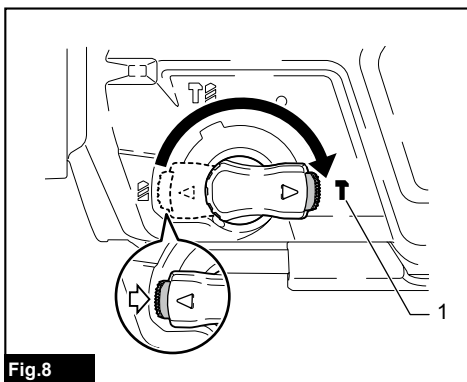


Fig.8

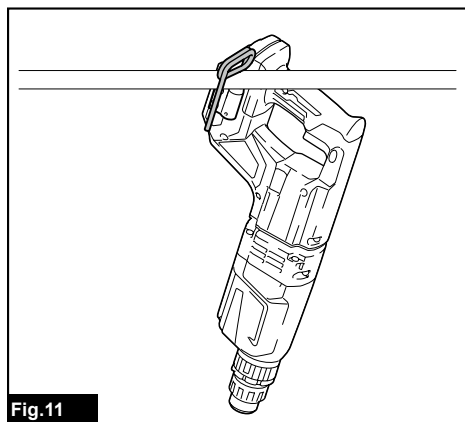


Fig.11

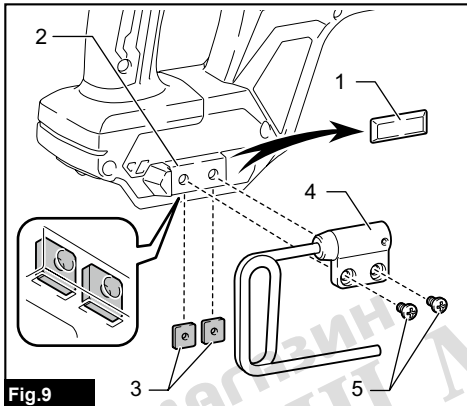


Fig.9

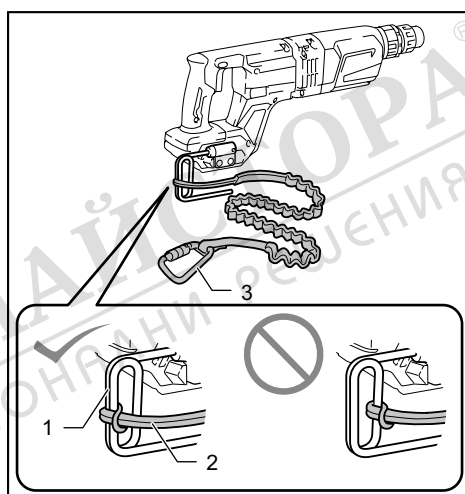


Fig.12

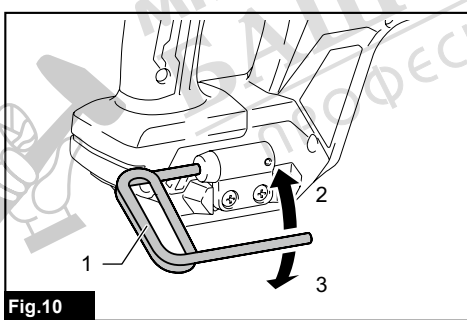


Fig.10

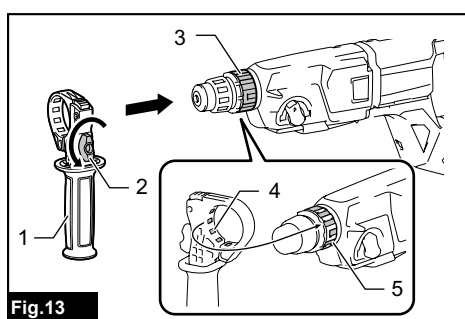


Fig.13

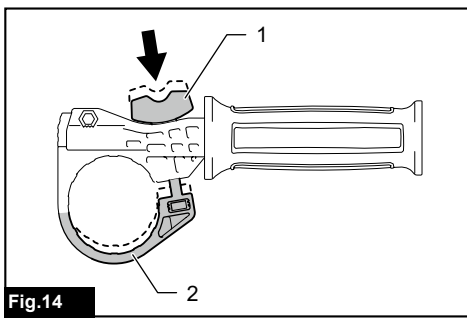


Fig.14

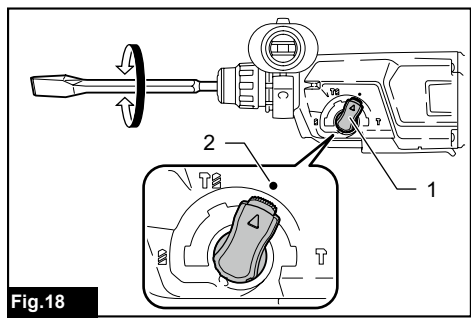


Fig.18

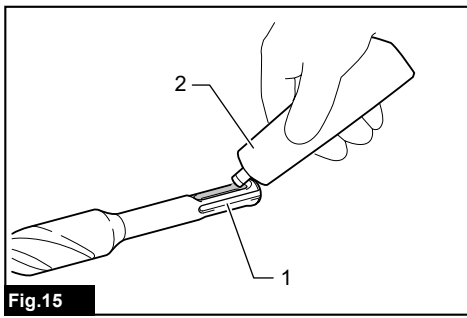


Fig.15

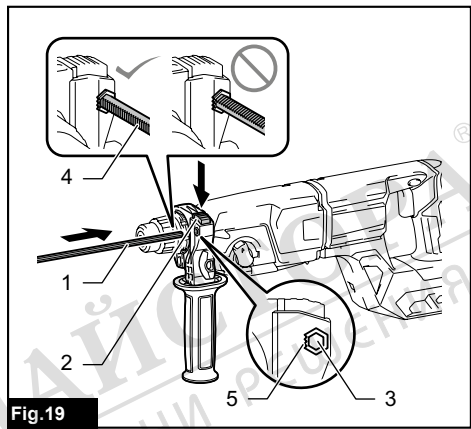


Fig.19

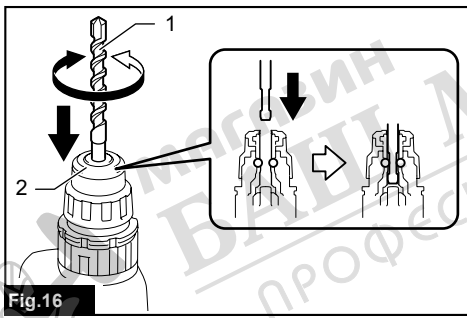


Fig.16

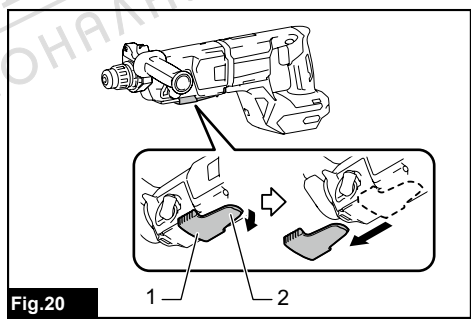


Fig.20

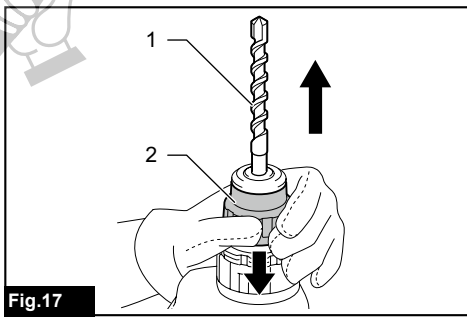


Fig.17

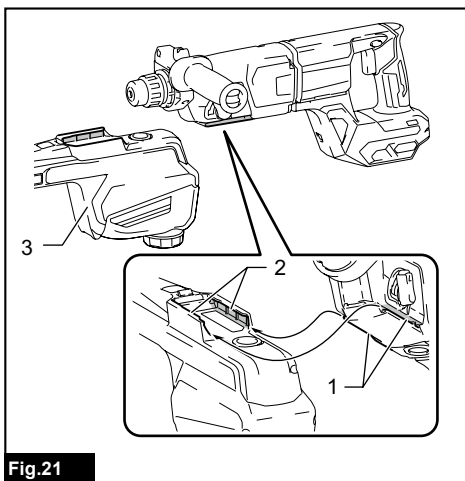


Fig.21

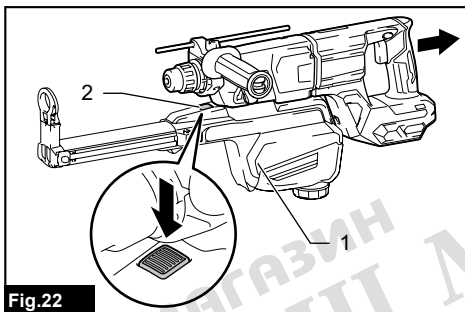


Fig.22

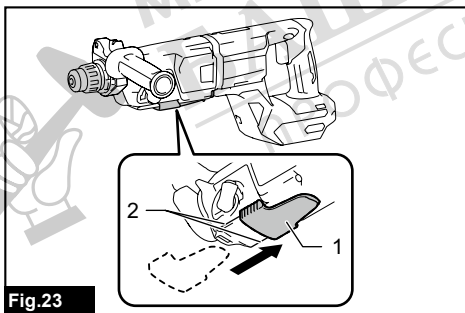


Fig.23

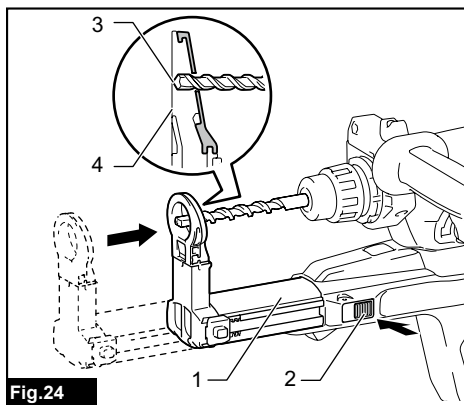


Fig.24

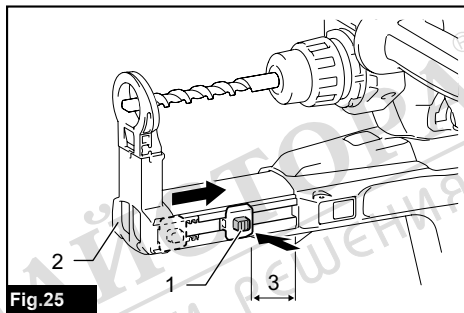


Fig.25

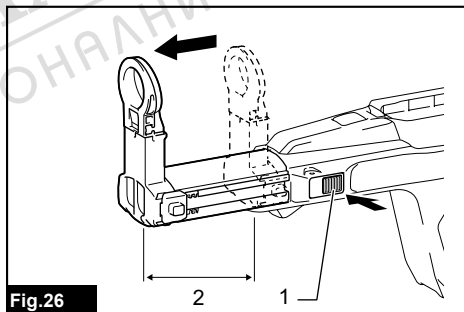


Fig.26

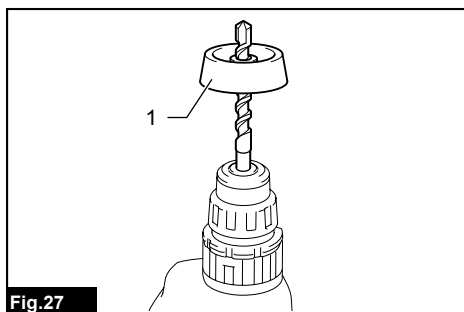


Fig.27

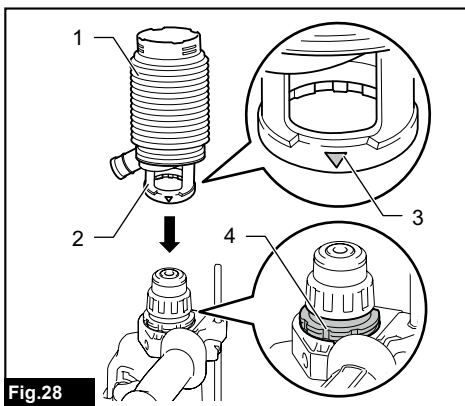


Fig.28

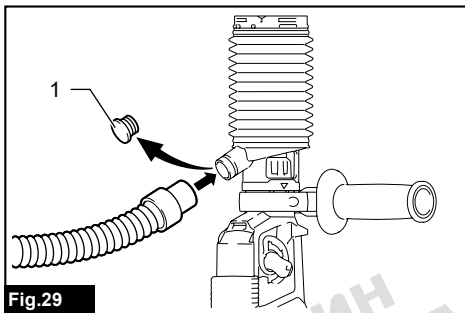


Fig.29

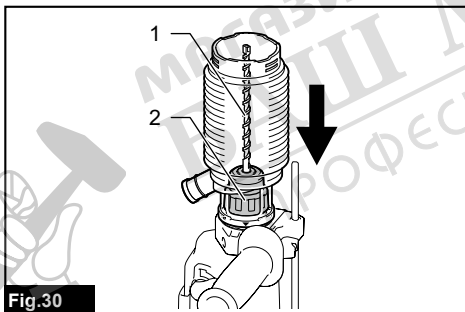


Fig.30

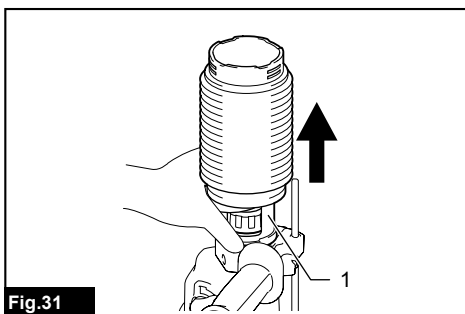


Fig.31

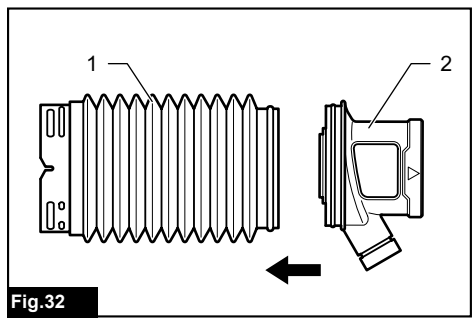


Fig.32

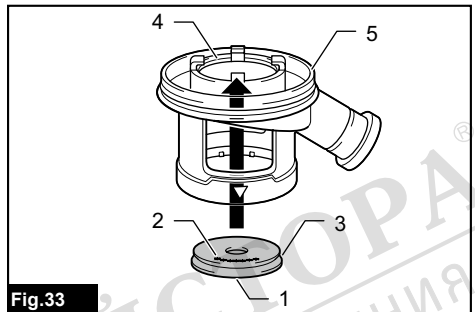


Fig.33

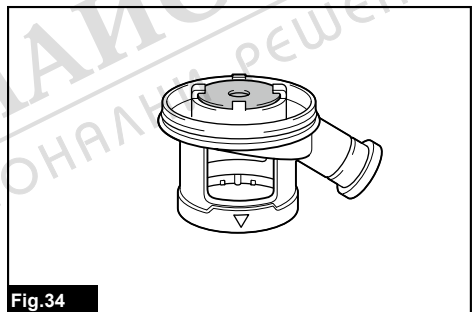


Fig.34

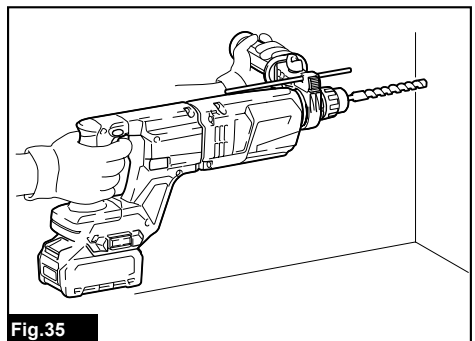


Fig.35

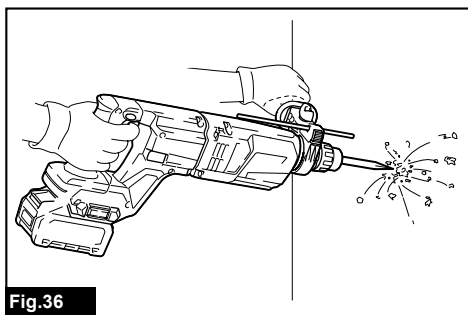


Fig.36

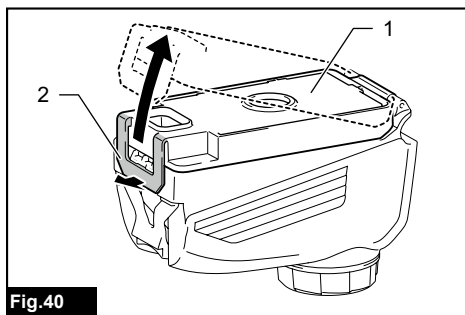


Fig.40

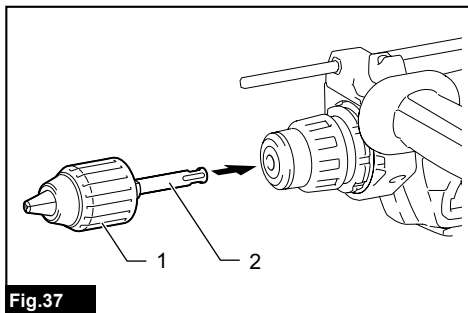


Fig.37

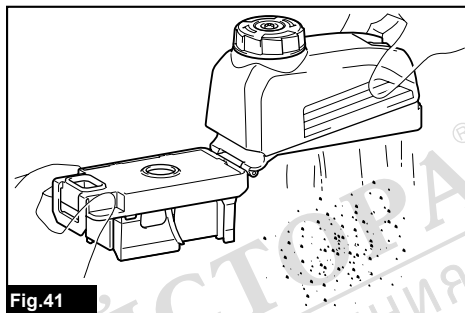


Fig.41

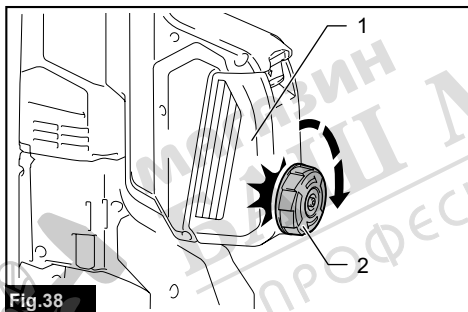


Fig.38

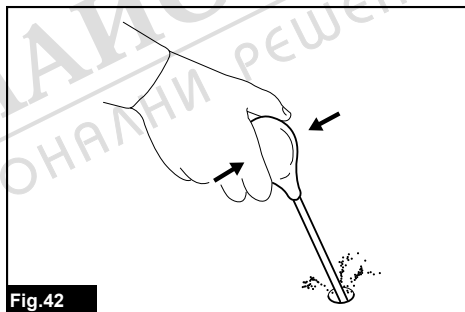


Fig.42

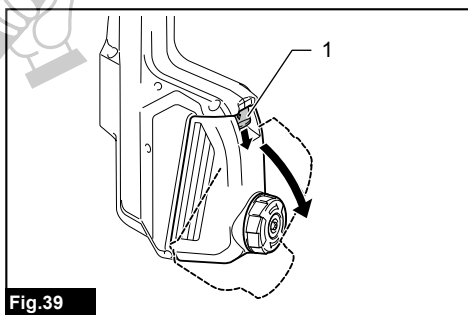


Fig.39

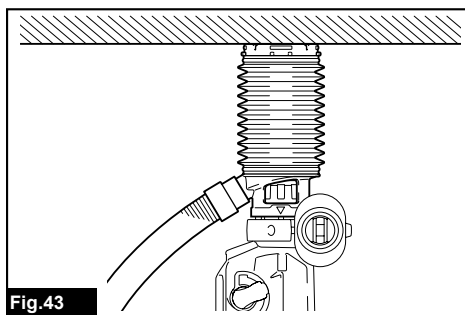


Fig.43

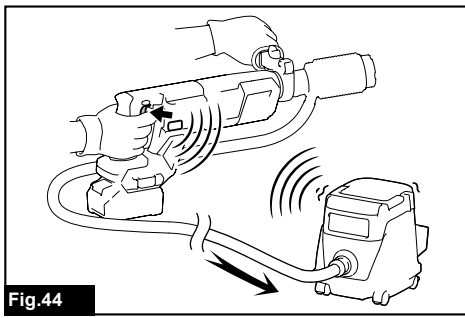


Fig.44

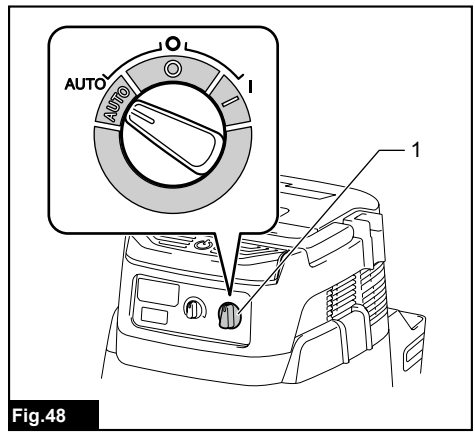


Fig.48

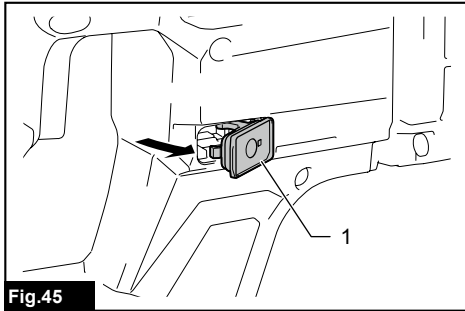


Fig.45

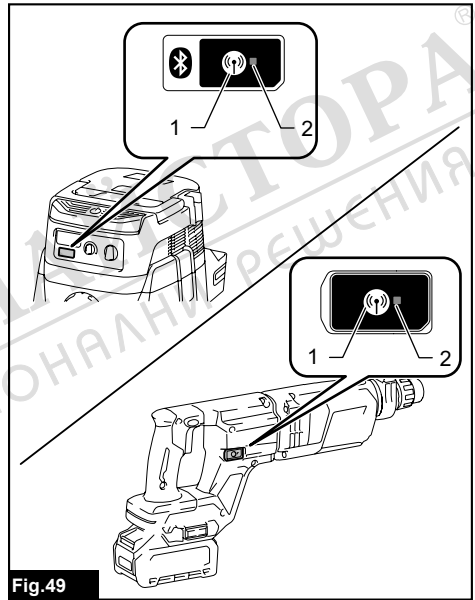


Fig.49

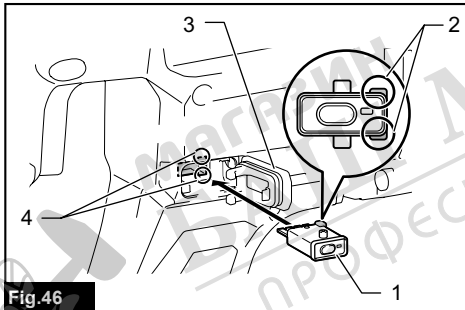


Fig.46

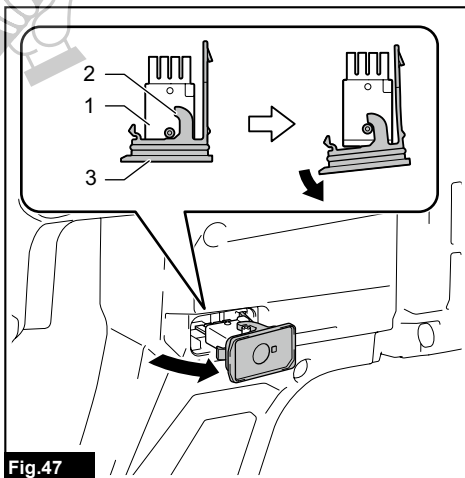


Fig.47

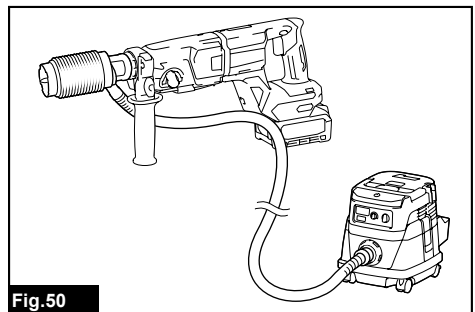
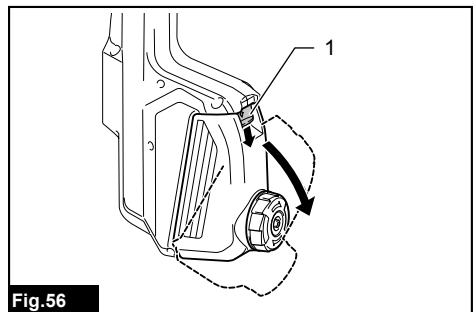
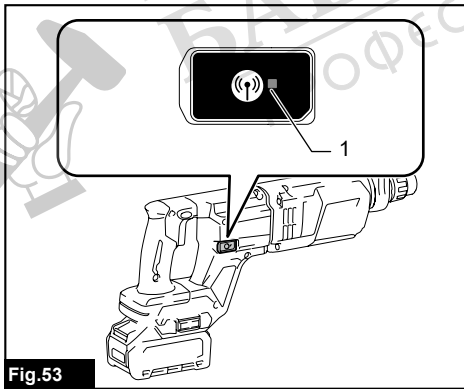
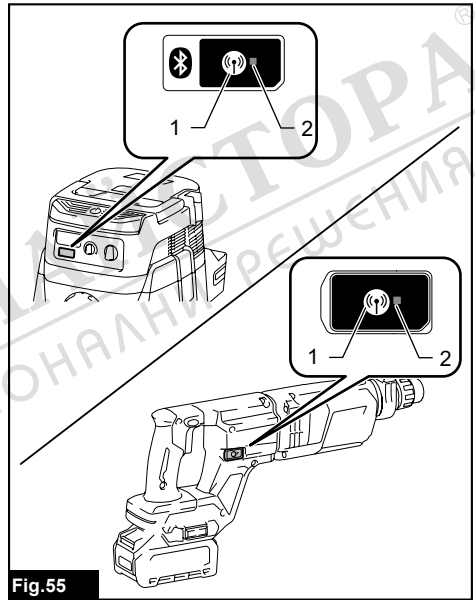
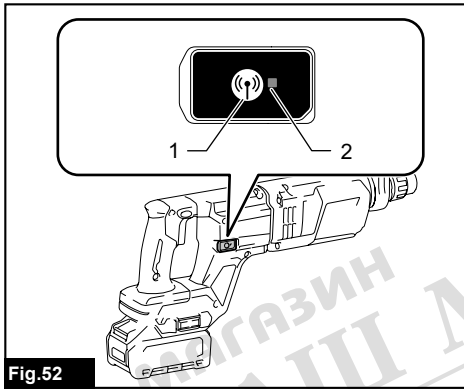
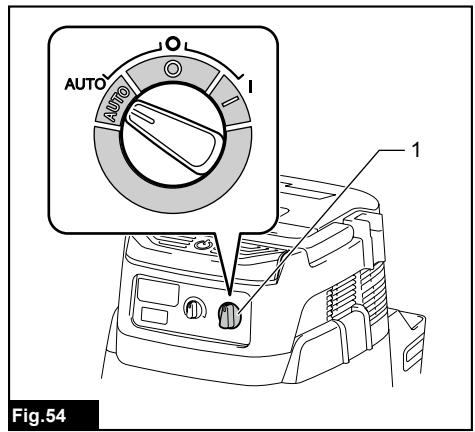
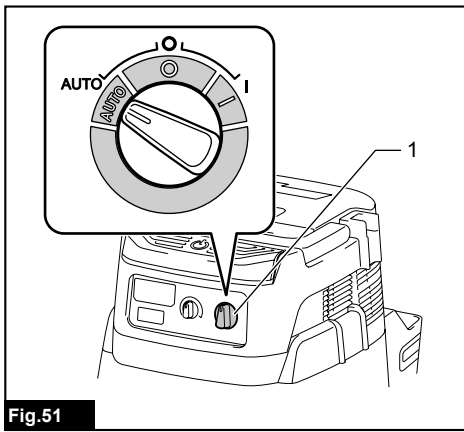


Fig.50





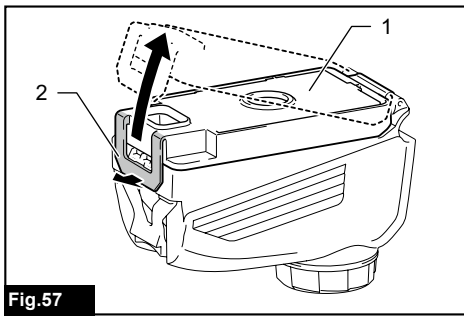


Fig.57

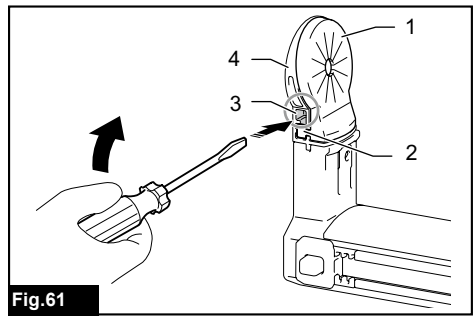


Fig.61

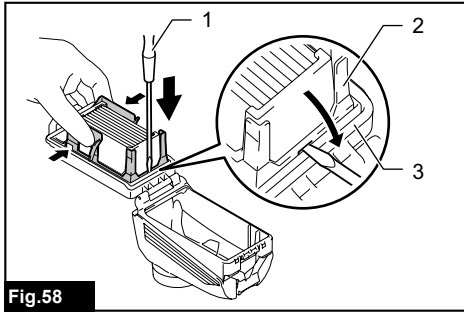


Fig.58

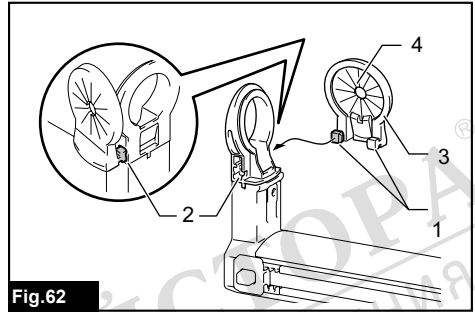


Fig.62

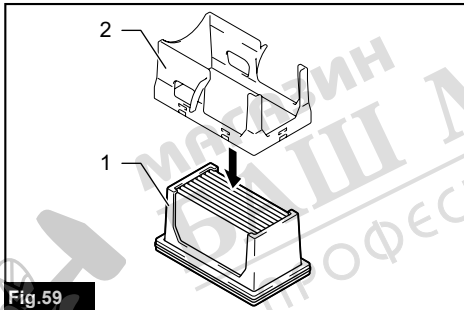


Fig.59

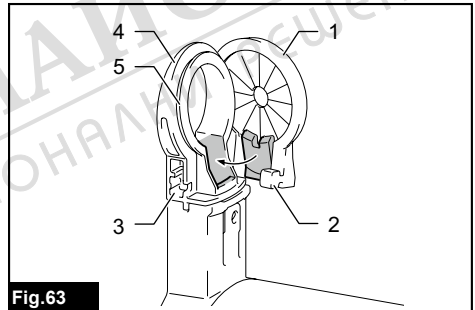


Fig.63

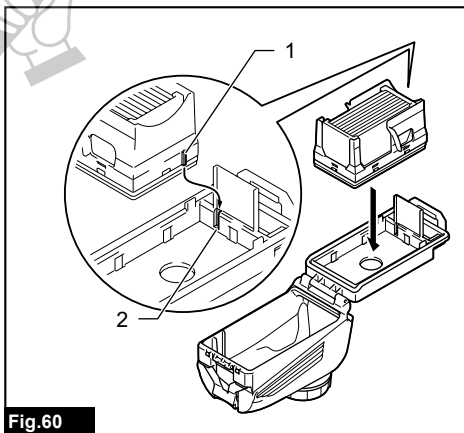


Fig.60

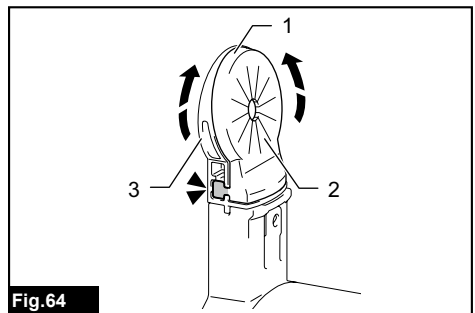


Fig.64

## SPECIFICATIONS

<b>Model:</b>		<b>HR007G</b>
Capacities	Concrete	28 mm
	Core bit	54 mm
	Diamond core bit (dry type)	65 mm
	Steel	13 mm
	Wood	32 mm
No load speed		0 - 980 min <sup>-1</sup>
Blows per minute		0 - 5,000 min <sup>-1</sup>
Rated voltage		D.C. 36 V - 40 V max
Overall length	with BL4025	458 mm
	with BL4040	473 mm
Net weight		3.8 - 4.8 kg

### Optional accessory

<b>Model:</b>		<b>DX15</b>
Suction performance		290 l/min
Operating stroke		Up to 190 mm
Suitable drill bit		Up to 260 mm
Net weight		1.3 kg

- Due to our continuing program of research and development, the specifications herein are subject to change without notice.
- Specifications may differ from country to country.
- The weight may differ depending on the attachment(s), including the battery cartridge. The lightest and heaviest combinations, according to EPTA-Procedure 01/2014, are shown in the table.

### Applicable battery cartridge and charger

Battery cartridge	BL4020* / BL4025* / BL4040* / BL4050F * : Recommended battery
Charger	DC40RA / DC40RB / DC40RC

- Some of the battery cartridges and chargers listed above may not be available depending on your region of residence.

**⚠ WARNING:** Only use the battery cartridges and chargers listed above. Use of any other battery cartridges and chargers may cause injury and/or fire.

### Recommended cord connected power source

Portable power pack	PDC01 / PDC1200
---------------------	-----------------

- The cord connected power source(s) listed above may not be available depending on your region of residence.
- Before using the cord connected power source, read instruction and cautionary markings on them.

### Intended use

The tool is intended for hammer drilling and drilling in brick, concrete and stone as well as for chiselling work. It is also suitable for drilling without impact in wood, metal, ceramic and plastic.

### Noise

The typical A-weighted noise level determined according to EN62841-2-6:

**Model HR007G**  
 Sound pressure level ( $L_{pA}$ ) : 91 dB (A)  
 Sound power level ( $L_{WA}$ ) : 102 dB (A)  
 Uncertainty (K) : 3 dB (A)

**Model HR007G with DX15**  
 Sound pressure level ( $L_{pA}$ ) : 93 dB(A)  
 Sound power level ( $L_{WA}$ ) : 104 dB (A)  
 Uncertainty (K) : 3 dB(A)

**NOTE:** The declared noise emission value(s) has been measured in accordance with a standard test method and may be used for comparing one tool with another.

**NOTE:** The declared noise emission value(s) may also be used in a preliminary assessment of exposure.

**⚠WARNING:** Wear ear protection.

**⚠WARNING:** The noise emission during actual use of the power tool can differ from the declared value(s) depending on the ways in which the tool is used especially what kind of workpiece is processed.

**⚠WARNING:** Be sure to identify safety measures to protect the operator that are based on an estimation of exposure in the actual conditions of use (taking account of all parts of the operating cycle such as the times when the tool is switched off and when it is running idle in addition to the trigger time).

## Vibration

The following table shows the vibration total value (tri-axial vector sum) determined according to applicable standard.

Work mode	Vibration emission	Uncertainty (K)	Applicable standard / Test condition
Hammer drilling into concrete ( $a_{h, HD}$ )	10.4 m/s <sup>2</sup>	1.5 m/s <sup>2</sup>	EN62841-2-6
	9.2 m/s <sup>2</sup>	1.5 m/s <sup>2</sup>	Recommended practical operation*
Hammer drilling into concrete with DX15 ( $a_{h, HD}$ )	8.1 m/s <sup>2</sup>	1.5 m/s <sup>2</sup>	EN62841-2-6
	6.7 m/s <sup>2</sup>	1.5 m/s <sup>2</sup>	Recommended practical operation*
Chiselling ( $a_{h, CHer}$ )	9.7 m/s <sup>2</sup>	1.5 m/s <sup>2</sup>	EN62841-2-6
	9.1 m/s <sup>2</sup>	1.5 m/s <sup>2</sup>	Recommended practical operation*

\* The test condition of recommended practical operation meets EN 62841-2-6, except for the following points:

- Feed force is applied to the switch handle (main handle) for working accuracy and efficiency.
- The side grip/handle (auxiliary handle) is held to keep balance of the tool.

**NOTE:** The declared vibration total value(s) has been measured in accordance with a standard test method and may be used for comparing one tool with another.

**NOTE:** The declared vibration total value(s) may also be used in a preliminary assessment of exposure.

**⚠WARNING:** The vibration emission during actual use of the power tool can differ from the declared value(s) depending on the ways in which the tool is used especially what kind of workpiece is processed.

**⚠WARNING:** Be sure to identify safety measures to protect the operator that are based on an estimation of exposure in the actual conditions of use (taking account of all parts of the operating cycle such as the times when the tool is switched off and when it is running idle in addition to the trigger time).

## EC Declaration of Conformity

### For European countries only

The EC declaration of conformity is included as Annex A to this instruction manual.

## SAFETY WARNINGS

### General power tool safety warnings

**⚠WARNING:** Read all safety warnings, instructions, illustrations and specifications provided with this power tool. Failure to follow all instructions listed below may result in electric shock, fire and/or serious injury.

### Save all warnings and instructions for future reference.

The term "power tool" in the warnings refers to your mains-operated (corded) power tool or battery-operated (cordless) power tool.

## CORDLESS ROTARY HAMMER SAFETY WARNINGS

### Safety instructions for all operations

1. **Wear ear protectors.** Exposure to noise can cause hearing loss.
2. **Use auxiliary handle(s), if supplied with the tool.** Loss of control can cause personal injury.
3. **Hold the power tool by insulated gripping surfaces, when performing an operation where the cutting accessory may contact hidden wiring.** Cutting accessory contacting a "live" wire may make exposed metal parts of the power tool "live" and could give the operator an electric shock.

### Safety instructions when using long drill bits with rotary hammers

1. **Always start drilling at low speed and with the bit tip in contact with the workpiece.** At higher speeds, the bit is likely to bend if allowed to rotate freely without contacting the workpiece, resulting in personal injury.

2. **Apply pressure only in direct line with the bit and do not apply excessive pressure.** Bits can bend, causing breakage or loss of control, resulting in personal injury.

#### Additional safety warnings

1. **Wear a hard hat (safety helmet), safety glasses and/or face shield.** Ordinary eye or sun glasses are NOT safety glasses. It is also highly recommended that you wear a dust mask and thickly padded gloves.
2. **Be sure the bit is secured in place before operation.**
3. **Under normal operation, the tool is designed to produce vibration. The screws can come loose easily, causing a breakdown or accident. Check tightness of screws carefully before operation.**
4. **In cold weather or when the tool has not been used for a long time, let the tool warm up for a while by operating it under no load. This will loosen up the lubrication. Without proper warm-up, hammering operation is difficult.**
5. **Always be sure you have a firm footing. Be sure no one is below when using the tool in high locations.**
6. **Hold the tool firmly with both hands.**
7. **Keep hands away from moving parts.**
8. **Do not leave the tool running. Operate the tool only when hand-held.**
9. **Do not point the tool at any one in the area when operating. The bit could fly out and injure someone seriously.**
10. **Do not touch the bit, parts close to the bit, or workpiece immediately after operation; they may be extremely hot and could burn your skin.**
11. **Some material contains chemicals which may be toxic. Take caution to prevent dust inhalation and skin contact. Follow material supplier safety data.**
12. **Always be sure that the tool is switched off and the battery cartridge and the bit are removed before handing the tool to other person.**
13. **Before operation, make sure that there is no buried object such as electric pipe, water pipe or gas pipe in the working area. Otherwise, the drill bit/chisel may touch them, resulting an electric shock, electrical leakage or gas leak.**
14. **Do not operate the tool at no-load unnecessarily.**

## SAVE THESE INSTRUCTIONS.

**⚠ WARNING:** DO NOT let comfort or familiarity with product (gained from repeated use) replace strict adherence to safety rules for the subject product. MISUSE or failure to follow the safety rules stated in this instruction manual may cause serious personal injury.

## Important safety instructions for battery cartridge

1. **Before using battery cartridge, read all instructions and cautionary markings on (1) battery charger, (2) battery, and (3) product using battery.**
2. **Do not disassemble or tamper with the battery cartridge.** It may result in a fire, excessive heat, or explosion.
3. **If operating time has become excessively shorter, stop operating immediately. It may result in a risk of overheating, possible burns and even an explosion.**
4. **If electrolyte gets into your eyes, rinse them out with clear water and seek medical attention right away. It may result in loss of your eyesight.**
5. **Do not short the battery cartridge:**
  - (1) **Do not touch the terminals with any conductive material.**
  - (2) **Avoid storing battery cartridge in a container with other metal objects such as nails, coins, etc.**
  - (3) **Do not expose battery cartridge to water or rain.**

**A battery short can cause a large current flow, overheating, possible burns and even a breakdown.**
6. **Do not store and use the tool and battery cartridge in locations where the temperature may reach or exceed 50 °C (122 °F).**
7. **Do not incinerate the battery cartridge even if it is severely damaged or is completely worn out. The battery cartridge can explode in a fire.**
8. **Do not nail, cut, crush, throw, drop the battery cartridge, or hit against a hard object to the battery cartridge.** Such conduct may result in a fire, excessive heat, or explosion.
9. **Do not use a damaged battery.**
10. **The contained lithium-ion batteries are subject to the Dangerous Goods Legislation requirements.**

For commercial transports e.g. by third parties, forwarding agents, special requirement on packaging and labeling must be observed.  
For preparation of the item being shipped, consulting an expert for hazardous material is required. Please also observe possibly more detailed national regulations.  
Tape or mask off open contacts and pack up the battery in such a manner that it cannot move around in the packaging.
11. **When disposing the battery cartridge, remove it from the tool and dispose of it in a safe place. Follow your local regulations relating to disposal of battery.**
12. **Use the batteries only with the products specified by Makita.** Installing the batteries to non-compliant products may result in a fire, excessive heat, explosion, or leak of electrolyte.

13. If the tool is not used for a long period of time, the battery must be removed from the tool.
14. During and after use, the battery cartridge may take on heat which can cause burns or low temperature burns. Pay attention to the handling of hot battery cartridges.
15. Do not touch the terminal of the tool immediately after use as it may get hot enough to cause burns.
16. Do not allow chips, dust, or soil stuck into the terminals, holes, and grooves of the battery cartridge. It may cause heating, catching fire, burst and malfunction of the tool or battery cartridge, resulting in burns or personal injury.
17. Unless the tool supports the use near high-voltage electrical power lines, do not use the battery cartridge near a high-voltage electrical power lines. It may result in a malfunction or breakdown of the tool or battery cartridge.
18. Keep the battery away from children.
7. Do not operate the wireless unit in places where automated devices are nearby. If operated, automated devices may develop malfunction or error.
8. Do not operate the wireless unit in places under high temperature or places where static electricity or electrical noise could be generated.
9. The wireless unit can produce electromagnetic fields (EMF) but they are not harmful to the user.
10. The wireless unit is an accurate instrument. Be careful not to drop or strike the wireless unit.
11. Avoid touching the terminal of the wireless unit with bare hands or metallic materials.
12. Always remove the battery on the product when installing the wireless unit into it.
13. When opening the lid of the slot, avoid the place where dust and water may come into the slot. Always keep the inlet of the slot clean. ®
14. Always insert the wireless unit in the correct direction.
15. Do not press the wireless activation button on the wireless unit too hard and/or press the button with an object with a sharp edge.
16. Always close the lid of the slot when operating.
17. Do not remove the wireless unit from the slot while the power is being supplied to the tool. Doing so may cause a malfunction of the wireless unit.
18. Do not remove the sticker on the wireless unit.
19. Do not put any sticker on the wireless unit.
20. Do not leave the wireless unit in a place where static electricity or electrical noise could be generated.
21. Do not leave the wireless unit in a place subject to high heat, such as a car sitting in the sun.
22. Do not leave the wireless unit in a dusty or powdery place or in a place corrosive gas could be generated.
23. Sudden change of the temperature may bedew the wireless unit. Do not use the wireless unit until the dew is completely dried.
24. When cleaning the wireless unit, gently wipe with a dry soft cloth. Do not use benzine, thinner, conductive grease or the like.
25. When storing the wireless unit, keep it in the supplied case or a static-free container.
26. Do not insert any devices other than Makita wireless unit into the slot on the tool.
27. Do not use the tool with the lid of the slot damaged. Water, dust, and dirt come into the slot may cause malfunction.
28. Do not pull and/or twist the lid of the slot more than necessary. Restore the lid if it comes off from the tool.
29. Replace the lid of the slot if it is lost or damaged.

## SAVE THESE INSTRUCTIONS.

**⚠ CAUTION:** Only use genuine Makita batteries. Use of non-genuine Makita batteries, or batteries that have been altered, may result in the battery bursting causing fires, personal injury and damage. It will also void the Makita warranty for the Makita tool and charger.

## Tips for maintaining maximum battery life

1. Charge the battery cartridge before completely discharged. Always stop tool operation and charge the battery cartridge when you notice less tool power.
2. Never recharge a fully charged battery cartridge. Overcharging shortens the battery service life.
3. Charge the battery cartridge with room temperature at 10 °C - 40 °C (50 °F - 104 °F). Let a hot battery cartridge cool down before charging it.
4. When not using the battery cartridge, remove it from the tool or the charger.
5. Charge the battery cartridge if you do not use it for a long period (more than six months).

## Important safety instructions for wireless unit

1. Do not disassemble or tamper with the wireless unit.
2. Keep the wireless unit away from young children. If accidentally swallowed, seek medical attention immediately.
3. Use the wireless unit only with Makita tools.
4. Do not expose the wireless unit to rain or wet conditions.
5. Do not use the wireless unit in places where the temperature exceeds 50 °C (122 °F).
6. Do not operate the wireless unit in places where medical instruments, such as heart pace makers are nearby.

## SAVE THESE INSTRUCTIONS.

## FUNCTIONAL DESCRIPTION

**CAUTION:** Always be sure that the tool is switched off and the battery cartridge is removed before adjusting or checking function on the tool.

### Installing or removing battery cartridge

**CAUTION:** Always switch off the tool before installing or removing of the battery cartridge.

**CAUTION:** Hold the tool and the battery cartridge firmly when installing or removing battery cartridge. Failure to hold the tool and the battery cartridge firmly may cause them to slip off your hands and result in damage to the tool and battery cartridge and a personal injury.

► Fig.1: 1. Red indicator 2. Button 3. Battery cartridge

To remove the battery cartridge, slide it from the tool while sliding the button on the front of the cartridge.

To install the battery cartridge, align the tongue on the battery cartridge with the groove in the housing and slip it into place. Insert it all the way until it locks in place with a little click. If you can see the red indicator as shown in the figure, it is not locked completely.

**CAUTION:** Always install the battery cartridge fully until the red indicator cannot be seen. If not, it may accidentally fall out of the tool, causing injury to you or someone around you.

**CAUTION:** Do not install the battery cartridge forcibly. If the cartridge does not slide in easily, it is not being inserted correctly.

### Indicating the remaining battery capacity

Press the check button on the battery cartridge to indicate the remaining battery capacity. The indicator lamps light up for a few seconds.

► Fig.2: 1. Indicator lamps 2. Check button

Indicator lamps			Remaining capacity
Lighted	Off	Blinking	
■	□	▧	75% to 100%
■ ■ ■ ■			
■ ■ ■ ■	□		50% to 75%
■ ■ ■ ■	□ □		25% to 50%
■ ■ ■ ■	□ □ □ □		0% to 25%
▧	□ □ □ □		Charge the battery.
■ ■ ■ ■	□ □ □ □		The battery may have malfunctioned.
□ □ □ □	■ ■ ■ ■		

**NOTE:** Depending on the conditions of use and the ambient temperature, the indication may differ slightly from the actual capacity.

**NOTE:** The first (far left) indicator lamp will blink when the battery protection system works.

### Tool / battery protection system

The tool is equipped with a tool/battery protection system. This system automatically cuts off power to the motor to extend tool and battery life. The tool will automatically stop during operation if the tool or battery is placed under one of the following conditions:

#### Overload protection

When the battery is operated in a manner that causes it to draw an abnormally high current, the tool automatically stops without any indication. In this situation, turn the tool off and stop the application that caused the tool to become overloaded. Then turn the tool on to restart.

#### Overheat protection

When the tool or battery is overheated, the tool stops automatically. In this case, let the tool and battery cool before turning the tool on again.

**NOTE:** When the tool is overheated, the lamp blinks.

#### Overdischarge protection

When the battery capacity is not enough, the tool stops automatically. In this case, remove the battery from the tool and charge the battery.

#### Protections against other causes

Protection system is also designed for other causes that could damage the tool and allows the tool to stop automatically. Take all the following steps to clear the causes, when the tool has been brought to a temporary halt or stop in operation.

1. Turn the tool off, and then turn it on again to restart.
2. Charge the battery(ies) or replace it/them with recharged battery(ies).
3. Let the tool and battery(ies) cool down.

If no improvement can be found by restoring protection system, then contact your local Makita Service Center.

### Switch action

**WARNING:** Before installing the battery cartridge into the tool, always check to see that the switch trigger actuates properly and returns to the "OFF" position when released.

► Fig.3: 1. Switch trigger

To start the tool, simply pull the switch trigger. Tool speed is increased by increasing pressure on the switch trigger. Release the switch trigger to stop.

## Lighting up the front lamp

► Fig.4: 1. Lamp

**CAUTION:** Do not look in the light or see the source of light directly.

Pull the switch trigger to light up the lamp. The lamp keeps on lighting while the switch trigger is being pulled. The lamp goes out approximately 10 seconds after releasing the switch trigger.

**CAUTION:** If the lamp goes off after blinking for a few seconds, the active feedback sensing technology is not working properly. Ask your local Makita Service Center for repair.

**NOTE:** Use a dry cloth to wipe the dirt off the lens of the lamp. Be careful not to scratch the lens of lamp, or it may lower the illumination.

**NOTE:** The front lamp cannot be used while the dust collection system (optional accessory) is installed in the tool.

## Reversing switch action

► Fig.5: 1. Reversing switch lever

**CAUTION:** Always check the direction of rotation before operation.

**CAUTION:** Use the reversing switch only after the tool comes to a complete stop. Changing the direction of rotation before the tool stops may damage the tool.

**CAUTION:** When not operating the tool, always set the reversing switch lever to the neutral position.

This tool has a reversing switch to change the direction of rotation. Depress the reversing switch lever from the A side for clockwise rotation or from the B side for counterclockwise rotation.


When the reversing switch lever is in the neutral position, the switch trigger cannot be pulled.

## Selecting the action mode

**NOTICE:** Do not rotate the action mode changing knob when the tool is running. The tool will be damaged.


**NOTICE:** To avoid rapid wear on the mode change mechanism, be sure that the action mode changing knob is always positively located in one of the three action mode positions.

## Rotation with hammering

For drilling in concrete, masonry, etc., turn the action mode changing knob to the  symbol while pressing the release button on the knob. Use a tungstencarbide tipped bit (optional accessory).


► Fig.6: 1. Rotation with hammering 2. Action mode changing knob 3. Release button

## Rotation only

For drilling in wood, metal or plastic materials, turn the action mode changing knob to the  symbol while pressing the release button on the knob. Use a twist drill bit or wood drill bit.

► Fig.7: 1. Rotation only

## Hammering only

For chipping, scaling or demolition operations, turn the action mode changing knob to the  symbol while pressing the release button on the knob. Use a bull point, cold chisel, scaling chisel, etc.

► Fig.8: 1. Hammering only

## Hook

### Optional accessory

**CAUTION:** Always remove the battery when hanging the tool with the hook.

**CAUTION:** Never hook the tool at high location or on potentially unstable surface.

The hook is convenient for temporarily hanging the tool.

Before installing the hook, remove the rubber cap from the screw holes in the mounting bracket. Insert the plate washers under the bracket, and then tighten the hook with screws in place.

► Fig.9: 1. Rubber cap 2. Mounting bracket 3. Plate washers 4. Hook 5. Screws

For use, lift up the arm of the hook until it snaps into the open position.

When not in use, be sure that the hook is folded back in the closed position.

► Fig.10: 1. Hook 2. Open position 3. Closed position

► Fig.11

## Connecting lanyard (tether strap) to the hook

**CAUTION:** Do not use damaged hook and screws. Before use, always check for damages, cracks or deformations, and make sure that the screws are tightened.

**CAUTION:** Make sure that the hook is securely installed with the screws.

**CAUTION:** Do not install or remove any accessory while hanging the tool. The tool may fall if the screws are not tightened.

**CAUTION:** Always use a locking carabiner (multi-action and screw gate type) and be sure to attach the lanyard (tether strap) to the double looped portion of the hook. Improper attachment may cause tool drop from the hook and result in personal injury.

The hook is also used for connecting the lanyard (tether strap). Be sure to connect the lanyard (tether strap) to the double looped portion of the hook.

► Fig.12: 1. Double looped portion of the hook 2. Lanyard (tether strap) 3. Locking carabiner (multi-action and screw gate type)



## Safety warnings about connecting lanyard (tether strap) to the hook

### ⚠ Safety warnings specific for use at height

Read all safety warnings and instructions. Failure to follow the warnings and instructions may result in serious injury.

1. **Always keep the tool tethered when working "at height". Maximum lanyard length is 2 m. The maximum permissible fall height for lanyard (tether strap) must not exceed 2 m.**
2. **Use only with lanyards appropriate for this tool type and rated for at least 8.0 kg.**
3. **Do not anchor the tool lanyard to anything on your body or on movable components. Anchor the tool lanyard to a rigid structure that can withstand the forces of a dropped tool.**
4. **Make sure the lanyard is properly secured at each end prior to use.**
5. **Inspect the tool and lanyard before each use for damage and proper function (including fabric and stitching). Do not use if damaged or not functioning properly.**
6. **Do not wrap lanyards around or allow them to come in contact with sharp or rough edges.**
7. **Fasten the other end of the lanyard outside the working area so that a falling tool is held securely.**
8. **Attach the lanyard so that the tool will move away from the operator if it falls. Dropped tools will swing on the lanyard, which could cause injury or loss of balance.**
9. **Do not use near moving parts or running machinery. Failure to do so may result in a crush or entanglement hazard.**
10. **Do not carry the tool by the attachment device or the lanyard.**
11. **Only transfer the tool between your hands while you are properly balanced.**
12. **Do not attach lanyards to the tool in a way that keeps switches or trigger-lock (if supplied) from operating properly.**
13. **Avoid getting tangled in the lanyard.**
14. **Keep lanyard away from the drilling area of the tool.**
15. **Use a locking carabiner (multi-action and screw gate type). Do not use single action spring clip carabiners.**
16. **In the event the tool is dropped, it must be tagged and removed from service, and should be inspected by a Makita Factory or Authorized Service Center.**

## Torque limiter

**NOTICE:** As soon as the torque limiter actuates, switch off the tool immediately. This will help prevent premature wear of the tool.

**NOTICE:** Drill bits such as hole saw, which tend to pinch or catch easily in the hole, are not appropriate for this tool. This is because they will cause the torque limiter to actuate too frequently.

The torque limiter will actuate when a certain torque level is reached. The motor will disengage from the output shaft. When this happens, the drill bit will stop turning.

## Electronic function

The tool is equipped with the electronic functions for easy operation.

- **Electric brake**  
This tool is equipped with an electric brake. If the tool consistently fails to quickly cease to function after the switch trigger is released, have the tool serviced at a Makita service center.
- **Constant speed control**  
The speed control function provides the constant rotation speed regardless of load conditions.
- **Active Feedback sensing Technology**  
If the tool is swung at the predetermined acceleration during operation, the motor is forcibly stopped to reduce the burden on the wrist.

**NOTE:** This function does not work if the acceleration does not reach the predetermined one when the tool is swung.

**NOTE:** If the bit is swung at the predetermined acceleration during chipping, scaling, or demolishing, the motor is forcibly stopped. In this case, release the switch trigger, and then pull the switch trigger to restart the tool.

## ASSEMBLY

**⚠ CAUTION:** Always be sure that the tool is switched off and the battery cartridge is removed before carrying out any work on the tool.

## Side grip (auxiliary handle)

**⚠ CAUTION:** Always use the side grip to ensure safe operation.

**⚠ CAUTION:** After installing or adjusting the side grip, make sure that the side grip is firmly secured with its retaining projections fully engaged by the positioning recesses on the gear housing.

To install the side grip, follow the steps below.

1. Loosen the thumb screw on the side grip. Then install the side grip over the barrel neck of the gear housing.  
▶ **Fig.13:** 1. Side grip 2. Thumb screw 3. Barrel neck of the gear housing 4. Retaining projection 5. Positioning recess

The attachment ring can be enlarged by pressing the thumb screw down so that the ring is easily and securely engaged over the barrel neck of the gear housing.

▶ **Fig.14:** 1. Thumb screw 2. Attachment ring

2. Tighten the thumb screw to secure the grip at your desired angle.

## Grease

### Optional accessory

Coat the shank end of the drill bit beforehand with a small amount of grease (about 0.5 - 1 g). This chuck lubrication assures smooth action and longer service life.

## Installing and removing drill bit

Clean the shank end of the drill bit and apply grease before installing the drill bit.

► **Fig.15:** 1. Shank end 2. Grease

Place the shank end of the drill bit into the chuck, and insert it further into the chuck while hand-turning the drill bit so the shank end well fits into the chuck slot and becomes fully engaged. Having installed the drill bit, try pulling it back to ensure it is securely held in place.

► **Fig.16:** 1. Drill bit 2. Chuck

To remove the drill bit, push the chuck cover down all the way and pull the drill bit out.

► **Fig.17:** 1. Drill bit 2. Chuck cover

## Chisel angle (when chipping, scaling or demolishing)

The chisel can be secured at the desired angle. Switch the action mode changing knob to the O symbol, and then turn the chisel to your desired angle.

► **Fig.18:** 1. Action mode changing knob 2. O symbol

Switch the action mode changing knob to the T symbol. Try hand-turning the chisel to ensure it is securely held in place.

## Depth gauge

The depth gauge is convenient for drilling holes of uniform depth. Press and hold the lock button, and then insert the depth gauge into the hex hole. Make sure that the toothed side of the depth gauge faces the toothed marking on the hex hole.

► **Fig.19:** 1. Depth gauge 2. Lock button 3. Hex hole 4. Toothed side 5. Toothed marking

Adjust the depth gauge by moving it back and forth while pressing the lock button. After the adjustment, release the lock button to lock the depth gauge.

**NOTE:** Make sure that the depth gauge does not touch the main body of the tool when attaching it.

## Dust collection system

### Optional accessory

### Installation

1. Slide the air duct cap out of the motor housing while lifting the lock tab up to the unlocked position.

► **Fig.20:** 1. Air duct cap 2. Lock tab

2. Mount the tool onto the dust collection system by sliding the guide grooves on bottom surface of the gear housing over the guide rails on top surface of the dust collection system until it locks in place with a click.

► **Fig.21:** 1. Guide grooves 2. Guide rails 3. Dust collection system

## Uninstallation

1. Dismount the tool from the dust collection system by sliding the tool away off while pressing the lock off button on the dust collection system.

► **Fig.22:** 1. Dust collection system 2. Lock off button

2. Slide the air duct cap back along the guide grooves on gear housing until it locks in place with a click.

► **Fig.23:** 1. Air duct cap 2. Guide grooves

**NOTICE:** Make sure to place the air duct cap back over the air duct after detaching the dust collection system from the tool. Tool performance can be affected if it is operated without the air duct cap in place.

## Adjusting nozzle position

Slide in and out the nozzle guide while pressing the guide adjustment button, and then release the button at an exact position where the tip of the drill bit sits just behind the front surface of the nozzle.

► **Fig.24:** 1. Nozzle guide 2. Guide adjustment button 3. Tip of drill bit 4. Front surface of nozzle

**NOTE:** Before adjusting the nozzle position, press the guide adjustment button, and then release the button to release the tension on the nozzle guide and set it free into a fully extended position.

## Adjusting drilling depths

Drilling depth can be adjusted by changing the lengths between the depth adjustment button and rear end of the nozzle guide. Press and hold the depth adjustment button and slide it to your desired position.

► **Fig.25:** 1. Depth adjustment button 2. Nozzle guide 3. Drilling depths

## Storage

**NOTICE:** When not in use for a certain period of time, the nozzle guide needs to be extended to approximately 100 mm from its fully shortened position. Failing to do so may damage the duct hose pre-installed in the nozzle guide.

► **Fig.26:** 1. Guide adjustment button 2. Approx. 100 mm

## Dust cup

### Optional accessory

Use the dust cup to prevent dust from falling over the tool and on yourself when performing overhead drilling operations. Attach the dust cup to the bit as shown in the figure. The size of bits which the dust cup can be attached to is as follows.

Model	Bit diameter
Dust cup 5	6 mm - 14.5 mm
Dust cup 9	12 mm - 16 mm

► **Fig.27:** 1. Dust cup

## Dust cup set

### Optional accessory

**CAUTION:** Before installing and uninstalling the dust cup set, remove a bit from the tool.

## Installation

Place the dust cup set onto the barrel neck of the gear housing aligning the  $\triangle$  symbol on the dust cup with one of the grooves in the barrel. Then hold the attachment unit of the dust cup set and push it down onto the barrel to secure it in place.

- Fig.28: 1. Dust cup set 2. Attachment unit  
3.  $\triangle$  symbol 4. Groove

**NOTE:** If you connect a vacuum cleaner to the dust cup set, remove the dust cap before connecting it.

- Fig.29: 1. Dust cap

## Uninstallation

Push the chuck cover down all the way and pull a bit off.

- Fig.30: 1. Bit 2. Chuck cover

Hold the attachment unit of the dust cup set and pull it apart from the tool.

- Fig.31: 1. Attachment unit

**NOTE:** If the cap comes off from the dust cup set, place it back to the original position.

1. Detach the bellows from the attachment unit of the dust cup set.

- Fig.32: 1. Bellows 2. Attachment unit

2. Set the cap back in place with its printed side facing upwards.

- Fig.33: 1. Cap 2. Printed side 3. Grooves 4. Lips of upper opening 5. Attachment unit

3. Be sure that the grooves around the cap well fit in the lips of the upper opening of the attachment unit.

- Fig.34

## OPERATION

**CAUTION:** Always use the side grip (auxiliary handle) and firmly hold the tool by both side grip and switch handle during operations.

**CAUTION:** Always make sure that the work-piece is secured before operation.

**CAUTION:** Do not pull the tool out forcibly even the bit gets stuck. Loss of control may cause injury.

**CAUTION:** The dust collection system is intended for drilling in concrete only. Do not use the dust collection system for drilling in metal or wood.

**CAUTION:** When using the tool with the dust collection system, be sure to attach the filter to the dust collection system to prevent dust inhalation.

**CAUTION:** Before using the dust collection system, check that the filter is not damaged.

Failure to do so may cause dust inhalation.

**CAUTION:** The dust collection system collects the generated dust at a considerable rate, but not all dust can be collected.

**NOTICE:** If the tool is operated continuously at low speed for a long time, the motor will get overloaded, resulting in tool malfunction.

**NOTICE:** Do not use the dust collection system for core drilling or chiseling.


**NOTICE:** Do not use the dust collection system for drilling in wet concrete or use this system in wet environment. Failure to do so may cause malfunction.

**NOTE:** If the battery cartridge is in low temperature, the tool's capability may not be fully obtained. In this case, warm up the battery cartridge by using the tool with no load for a while to fully obtain the tool's capability.

- Fig.35

## Hammer drilling operation

**CAUTION:** There is tremendous and sudden twisting force exerted on the tool/drill bit at the time of hole break-through, when the hole becomes clogged with chips and particles, or when striking reinforcing rods embedded in the concrete. **Always use the side grip (auxiliary handle) and firmly hold the tool by both side grip and switch handle during operations.** Failure to do so may result in the loss of control of the tool and potentially severe injury.

Set the action mode changing knob to the  symbol. Position the drill bit at the desired location for the hole, then pull the switch trigger.


Apply feed force to the switch handle (main handle) for working accuracy and efficiency, and hold the side grip (auxiliary handle) to keep balance of the tool.

Keep the tool in position and prevent it from slipping away from the hole.

Do not apply more pressure when the hole becomes clogged with chips or particles. Instead, run the tool at an idle, then remove the drill bit partially from the hole. By repeating this several times, the hole will be cleaned out and normal drilling may be resumed.

**NOTE:** Eccentricity in the drill bit rotation may occur while operating the tool with no load. The tool automatically centers itself during operation. This does not affect the drilling precision.

## Chipping/Scaling/Demolition

Set the action mode changing knob to the  symbol. Hold the tool firmly with both hands. Turn the tool on. Apply feed force to the switch handle (main handle) for working accuracy and efficiency, and hold the side grip (auxiliary handle) to keep balance of the tool. Pressing very hard on the tool will not increase the efficiency.

► Fig.36

## Drilling in wood or metal


**CAUTION:** Hold the tool firmly and exert care when the drill bit begins to break through the workpiece. There is a tremendous force exerted on the tool/drill bit at the time of hole break through.

**CAUTION:** A stuck drill bit can be removed simply by setting the reversing switch to reverse rotation in order to back out. However, the tool may back out abruptly if you do not hold it firmly.

**CAUTION:** Always secure workpieces in a vise or similar hold-down device.

**NOTICE:** Never use "rotation with hammering" when the drill chuck is installed on the tool. The drill chuck may be damaged. Also, the drill chuck will come off when reversing the tool.

**NOTICE:** Pressing excessively on the tool will not speed up the drilling. In fact, this excessive pressure will only serve to damage the tip of your drill bit, decrease the tool performance and shorten the service life of the tool.

Set the action mode changing knob to the  symbol.

## Installing drill chuck set


### Optional accessory

Attach the chuck adapter to a keyless drill chuck to which 1/2"-20 size screw can be installed, and then install them to the tool. For details on how to install the adapter into the chuck, refer to the instructions on installing drill bit.

► Fig.37: 1. Keyless drill chuck 2. Chuck adapter

## Diamond core drilling

**NOTICE:** If performing diamond core drilling operations using "rotation with hammering" action, the diamond core bit may be damaged.

When performing diamond core drilling operations, always set the action mode changing knob to the  position to use "rotation only" action.

## Beating dust on the filter

### Optional accessory

**CAUTION:** Do not turn the dial on the dust case while the dust case is removed from the dust collection system. Doing so may cause dust inhalation.

**CAUTION:** Always switch off the tool when turning the dial on the dust case. Turning the dial while the tool is running may result in the loss of control of the tool.

By beating the dust on the filter inside the dust case, you can keep the vacuum efficiency and also reduce the number of times to dispose of the dust.

Turn the dial on the dust case three times after collecting every 50,000 mm<sup>3</sup> of dust or when you feel the vacuum performance declined.

**NOTE:** 50,000 mm<sup>3</sup> of dust equivalents to drilling 10 holes of  $\varnothing$ 10 mm and 65 mm depth.

► Fig.38: 1. Dust case 2. Dial

## Disposing of dust

### Optional accessory

**CAUTION:** Always be sure that the tool is switched off and the battery cartridge is removed before carrying out any work on the tool.

**CAUTION:** Be sure to wear dust mask when disposing of dust.

**CAUTION:** Empty the dust case regularly before the dust case becomes full. Failure to do so may decrease the dust collection performance and cause dust inhalation.

**CAUTION:** The performance of dust collection decreases if the filter in the dust case become clogged. Replace the filter with new one after approximately 200 times of dust fulfillment as a guide. Failure to do so may cause dust inhalation.

1. Remove the dust case while pressing down the latch lever of the dust case.

► Fig.39: 1. Latch lever

2. Lift the lock tab slightly outwards and open the dust case cover.

► Fig.40: 1. Dust case cover 2. Lock tab

3. Dispose of the dust, and then clean the filter.

► Fig.41

**NOTICE:** When cleaning the filter, tap the case of the filter gently by hand to remove dust. Do not tap the filter directly; touch the filter with brush or similar; or blow compressed air on the filter. Doing so may damage the filter.

## Blow-out bulb

### Optional accessory

After drilling the hole, use the blow-out bulb to clean the dust out of the hole.

► Fig.42

## Using dust cup set

### Optional accessory

Fit the dust cup set against the ceiling when operating the tool.

► Fig.43

**NOTICE:** Do not use the dust cup set when drilling in metal or similar. It may damage the dust cup set due to the heat produced by small metal dust or similar.

**NOTICE:** Do not install or remove the dust cup set with the drill bit installed in the tool. It may damage the dust cup set and cause dust leak.

## WIRELESS ACTIVATION FUNCTION

### What you can do with the wireless activation function

The wireless activation function enables clean and comfortable operation. By connecting a supported vacuum cleaner to the tool, you can run the vacuum cleaner automatically along with the switch operation of the tool.

► Fig.44

To use the wireless activation function, prepare following items:

- A wireless unit (optional accessory)
- A vacuum cleaner which supports the wireless activation function

The overview of the wireless activation function setting is as follows. Refer to each section for detail procedures.

1. Installing the wireless unit
2. Tool registration for the vacuum cleaner
3. Starting the wireless activation function

### Installing the wireless unit

#### Optional accessory

**CAUTION:** Place the tool on a flat and stable surface when installing the wireless unit.

**NOTICE:** Clean the dust and dirt on the tool before installing the wireless unit. Dust or dirt may cause malfunction if it comes into the slot of the wireless unit.

**NOTICE:** To prevent the malfunction caused by static, touch a static discharging material, such as a metal part of the tool, before picking up the wireless unit.

**NOTICE:** When installing the wireless unit, always be sure that the wireless unit is inserted in the correct direction and the lid is completely closed.

1. Open the lid on the tool as shown in the figure.

► Fig.45: 1. Lid

2. Insert the wireless unit to the slot and then close the lid.

When inserting the wireless unit, align the projections with the recessed portions on the slot.

► Fig.46: 1. Wireless unit 2. Projection 3. Lid  
4. Recessed portion

When removing the wireless unit, open the lid slowly. The hooks on the back of the lid will lift the wireless unit as you pull up the lid.

► Fig.47: 1. Wireless unit 2. Hook 3. Lid

After removing the wireless unit, keep it in the supplied case or a static-free container.

**NOTICE:** Always use the hooks on the back of the lid when removing the wireless unit. If the hooks do not catch the wireless unit, close the lid completely and open it slowly again.

### Tool registration for the vacuum cleaner

**NOTE:** A Makita vacuum cleaner supporting the wireless activation function is required for the tool registration.

**NOTE:** Finish installing the wireless unit to the tool before starting the tool registration.

**NOTE:** During the tool registration, do not pull the switch trigger or turn on the power switch on the vacuum cleaner.

**NOTE:** Refer to the instruction manual of the vacuum cleaner, too.

If you wish to activate the vacuum cleaner along with the switch operation of the tool, finish the tool registration beforehand.

1. Install the batteries to the vacuum cleaner and the tool.
2. Set the stand-by switch on the vacuum cleaner to "AUTO".

► Fig.48: 1. Stand-by switch

3. Press the wireless activation button on the vacuum cleaner for 3 seconds until the wireless activation lamp blinks in green. And then press the wireless activation button on the tool in the same way.

► Fig.49: 1. Wireless activation button 2. Wireless activation lamp

If the vacuum cleaner and the tool are linked successfully, the wireless activation lamps will light up in green for 2 seconds and start blinking in blue.

**NOTE:** The wireless activation lamps finish blinking in green after 20 seconds elapsed. Press the wireless activation button on the tool while the wireless activation lamp on the cleaner is blinking. If the wireless activation lamp does not blink in green, push the wireless activation button briefly and hold it down again.

**NOTE:** When performing two or more tool registrations for one vacuum cleaner, finish the tool registration one by one.

## Starting the wireless activation function

**NOTE:** Finish the tool registration for the vacuum cleaner prior to the wireless activation.

**NOTE:** Refer to the instruction manual of the vacuum cleaner, too.

After registering a tool to the vacuum cleaner, the vacuum cleaner will automatically runs along with the switch operation of the tool.

1. Install the wireless unit to the tool.
2. Connect the hose of the vacuum cleaner with the tool.  
► **Fig.50**
3. Set the stand-by switch on the vacuum cleaner to "AUTO".  
► **Fig.51:** 1. Stand-by switch
4. Push the wireless activation button on the tool briefly. The wireless activation lamp will blink in blue.  
► **Fig.52:** 1. Wireless activation button 2. Wireless activation lamp

5. Turn on the tool. Check if the vacuum cleaner runs while the tool is operating.

To stop the wireless activation of the vacuum cleaner, push the wireless activation button on the tool.

**NOTE:** The wireless activation lamp on the tool will stop blinking in blue when there is no operation for 2 hours. In this case, set the stand-by switch on the vacuum cleaner to "AUTO" and push the wireless activation button on the tool again.

**NOTE:** The vacuum cleaner starts/stops with a delay. There is a time lag when the vacuum cleaner detects a switch operation of the tool.

**NOTE:** The transmission distance of the wireless unit may vary depending on the location and surrounding circumstances.

**NOTE:** When two or more tools are registered to one vacuum cleaner, the vacuum cleaner may start running even if you do not turn on your tool because another user is using the wireless activation function.

## Description of the wireless activation lamp status

- **Fig.53:** 1. Wireless activation lamp

The wireless activation lamp shows the status of the wireless activation function. Refer to the table below for the meaning of the lamp status.

Status	Wireless activation lamp			Description	
	Color	<input type="checkbox"/> On	<input type="checkbox"/> Blinking		Duration
Standby	Blue	<input checked="" type="checkbox"/>		2 hours	The wireless activation of the vacuum cleaner is available. The lamp will automatically turn off when no operation is performed for 2 hours.
		<input type="checkbox"/>		When the tool is running.	The wireless activation of the vacuum cleaner is available and the tool is running.
Tool registration	Green	<input checked="" type="checkbox"/>		20 seconds	Ready for the tool registration. Waiting for the registration by the vacuum cleaner.
		<input type="checkbox"/>		2 seconds	The tool registration has been finished. The wireless activation lamp will start blinking in blue.
Cancelling tool registration	Red	<input checked="" type="checkbox"/>		20 seconds	Ready for the cancellation of the tool registration. Waiting for the cancellation by the vacuum cleaner.
		<input type="checkbox"/>		2 seconds	The cancellation of the tool registration has been finished. The wireless activation lamp will start blinking in blue.
Others	Red	<input type="checkbox"/>		3 seconds	The power is supplied to the wireless unit and the wireless activation function is starting up.
	Off	-		-	The wireless activation of the vacuum cleaner is stopped.

## Cancelling tool registration for the vacuum cleaner

Perform the following procedure when cancelling the tool registration for the vacuum cleaner.

1. Install the batteries to the vacuum cleaner and the tool.
2. Set the stand-by switch on the vacuum cleaner to "AUTO".  
► **Fig.54:** 1. Stand-by switch
3. Press the wireless activation button on the vacuum cleaner for 6 seconds. The wireless activation lamp blinks in green and then become red. After that, press the wireless activation button on the tool in the same way.  
► **Fig.55:** 1. Wireless activation button 2. Wireless activation lamp

If the cancellation is performed successfully, the wireless activation lamps will light up in red for 2 seconds and start blinking in blue.

**NOTE:** The wireless activation lamps finish blinking in red after 20 seconds elapsed. Press the wireless activation button on the tool while the wireless activation lamp on the cleaner is blinking. If the wireless activation lamp does not blink in red, push the wireless activation button briefly and hold it down again.

## Troubleshooting for wireless activation function

Before asking for repairs, conduct your own inspection first. If you find a problem that is not explained in the manual, do not attempt to dismantle the tool. Instead, ask Makita Authorized Service Centers, always using Makita replacement parts for repairs.

State of abnormality	Probable cause (malfunction)	Remedy
The wireless activation lamp does not light/blink.	The wireless unit is not installed into the tool. The wireless unit is improperly installed into the tool.	Install the wireless unit correctly.
	The terminal of the wireless unit and/or the slot is dirty.	Gently wipe off dust and dirt on the terminal of the wireless unit and clean the slot.
	The wireless activation button on the tool has not been pushed.	Push the wireless activation button on the tool briefly.
	The stand-by switch on the vacuum cleaner is not set to "AUTO".	Set the stand-by switch on the vacuum cleaner to "AUTO".
	No power supply	Supply the power to the tool and the vacuum cleaner.
Cannot finish tool registration / cancelling tool registration successfully.	The wireless unit is not installed into the tool. The wireless unit is improperly installed into the tool.	Install the wireless unit correctly.
	The terminal of the wireless unit and/or the slot is dirty.	Gently wipe off dust and dirt on the terminal of the wireless unit and clean the slot.
	The stand-by switch on the vacuum cleaner is not set to "AUTO".	Set the stand-by switch on the vacuum cleaner to "AUTO".
	No power supply	Supply the power to the tool and the vacuum cleaner.
	Incorrect operation	Push the wireless activation button briefly and perform the tool registration/cancellation procedures again.
	The tool and vacuum cleaner are away from each other (out of the transmission range).	Get the tool and vacuum cleaner closer to each other. The maximum transmission distance is approximately 10 m however it may vary according to the circumstances.
	Before finishing the tool registration/cancellation; - the switch of the tool is turned on or; - the power button on the vacuum cleaner is turned on.	Push the wireless activation button briefly and perform the tool registration/cancellation procedures again.
	The tool registration procedures for the tool or vacuum cleaner have not finished.	Perform the tool registration procedures for both the tool and the vacuum cleaner at the same timing.
	Radio disturbance by other appliances which generate high-intensity radio waves.	Keep the tool and vacuum cleaner away from the appliances such as Wi-Fi devices and microwave ovens.
	The vacuum cleaner does not run along with the switch operation of the tool.	The wireless unit is not installed into the tool. The wireless unit is improperly installed into the tool.
The terminal of the wireless unit and/or the slot is dirty.		Gently wipe off dust and dirt on the terminal of the wireless unit and clean the slot.
The wireless activation button on the tool has not been pushed.		Push the wireless activation button briefly and make sure that the wireless activation lamp is blinking in blue.
The stand-by switch on the vacuum cleaner is not set to "AUTO".		Set the stand-by switch on the vacuum cleaner to "AUTO".
More than 10 tools are registered to the vacuum cleaner.		Perform the tool registration again. If more than 10 tools are registered to the vacuum cleaner, the tool registered earliest will be cancelled automatically.
The vacuum cleaner erased all tool registrations.		Perform the tool registration again.
No power supply		Supply the power to the tool and the vacuum cleaner.
The tool and vacuum cleaner are away from each other (out of the transmission range).		Get the tool and vacuum cleaner closer each other. The maximum transmission distance is approximately 10 m however it may vary according to the circumstances.
Radio disturbance by other appliances which generate high-intensity radio waves.		Keep the tool and vacuum cleaner away from the appliances such as Wi-Fi devices and microwave ovens.
The vacuum cleaner runs while the tool is not operating.		Other users are using the wireless activation of the vacuum cleaner with their tools.

# MAINTENANCE

**CAUTION:** Always be sure that the tool is switched off and the battery cartridge is removed before attempting to perform inspection or maintenance.

**NOTICE:** Never use gasoline, benzine, thinner, alcohol or the like. Discoloration, deformation or cracks may result.

To maintain product SAFETY and RELIABILITY, repairs, any other maintenance or adjustment should be performed by Makita Authorized or Factory Service Centers, always using Makita replacement parts.

## Replacing filter of dust case

### Optional accessory

1. Remove the dust case while pressing down the latch lever of the dust case.  
► **Fig.56:** 1. Latch lever
2. Lift the lock tab slightly outwards and open the dust case cover.  
► **Fig.57:** 1. Dust case cover 2. Lock tab
3. Insert a flat-blade screwdriver in between the filter case and dust case cover as shown in the figure. Press the side walls of the filter case inwards, and lift the filter case up off using the flat-blade screwdriver.  
► **Fig.58:** 1. Flat-blade screwdriver 2. Filter case 3. Dust case cover
4. Push the filter out of the filter case as shown in the figure.  
► **Fig.59:** 1. Filter 2. Filter case
5. Replace a new filter in the filter case. Set the filter case back onto the dust case aligning the guide projection on the filter case with the groove in the dust case.  
► **Fig.60:** 1. Guide projection 2. Groove
6. Close the dust case cover, and then reassemble the dust case to the dust collection system.

## Replacing sealing cap

### Optional accessory

Replace a sealing cap at regular intervals as a worn or damaged sealing cap may affect the suction performance.

1. Insert a flat-blade screwdriver, with its flat surfaces vertical, into one of the release holes placed on the sides of the nozzle head. Tilt the flat-blade screwdriver at an angle to squeeze and pop the cube hook of the sealing cap out of the molded receptacle. Then peel the rubber edges of the sealing cap away from the rims of the nozzle head opening.  
► **Fig.61:** 1. Sealing cap 2. Cube hook 3. Release hole 4. Nozzle head
2. Set one of cube hooks of a renewed sealing cap into the molded receptacle in the nozzle head with a recessed surface of the sealing cap facing forwards.  
► **Fig.62:** 1. Cube hooks 2. Receptacles 3. Sealing cap 4. Recessed surface

3. Place the other hook into the receptacle on the opposite side of the nozzle head, while repositioning the sealing cap to fit finely to the nozzle head.

► **Fig.63:** 1. Sealing cap 2. Cube hook 3. Receptacle 4. Nozzle head 5. Rims

4. Gently lay the rubber edges of the sealing cap down over the rims of the nozzle head opening from bottom to top.

► **Fig.64:** 1. Rubber edges 2. Sealing cap 3. Nozzle head

# OPTIONAL ACCESSORIES

**CAUTION:** These accessories or attachments are recommended for use with your Makita tool specified in this manual. The use of any other accessories or attachments might present a risk of injury to persons. Only use accessory or attachment for its stated purpose.

If you need any assistance for more details regarding these accessories, ask your local Makita Service Center.

- Carbide-tipped drill bits (SDS-Plus carbide-tipped bits)
- Core bit
- Bull point
- Diamond core bit
- Cold chisel
- Scaling chisel
- Grooving chisel
- Drill chuck set (chuck adapter / drill chuck)
- Bit grease
- Depth gauge
- Blow-out bulb
- Dust cup
- Dust cup set
- Hook set
- Dust case set
- Filter set
- Joint
- Dust collection system
- Wireless unit
- Safety goggles
- Makita genuine battery and charger

**NOTE:** Some items in the list may be included in the tool package as standard accessories. They may differ from country to country.