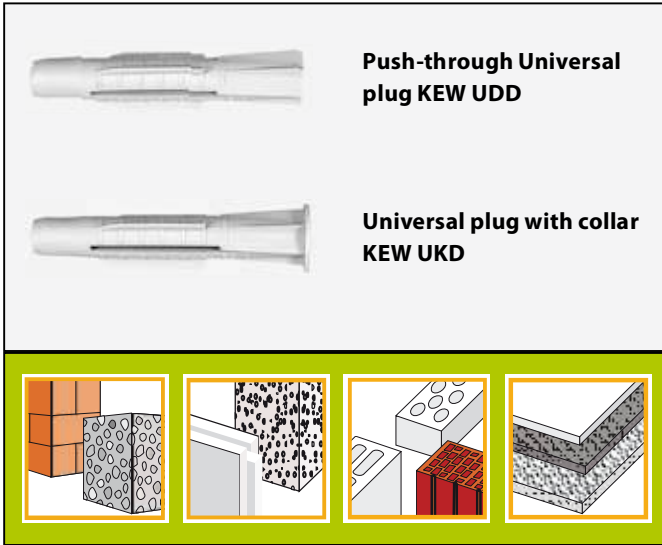


# Universal Plug - UD



## Advice

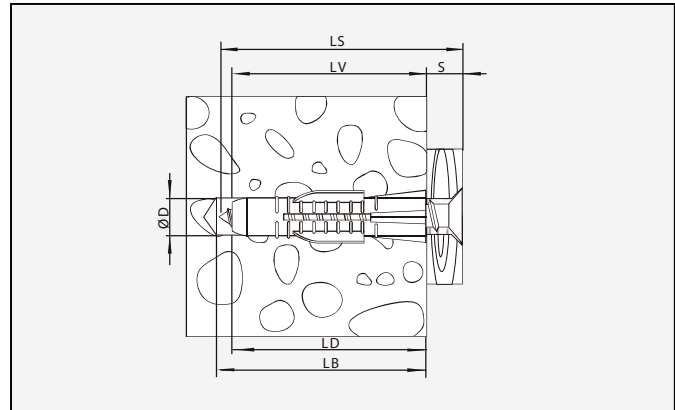
The maximum load can only be achieved if:

- the largest possible screw diameter is used
- the minimum screw length\* is observed
- the drill hole is cleaned (use brush and airpump)
- the drill hole dimensions correspond to those stated by the manufacturer.

It is recommended to drill 1 mm smaller in aircrete and to drill with rotation only in case of hollow or perforated bricks.

If installed in hollow bricks or boards/ panels hooks and eye screws with integral washer must be used to make sure that the plug form locks in the substrate (knotting down).

In plasterboard panels use metal or wood drill bits.



plug length	LD
+ render, tiles etc..	
+ fixture thickness	S
+ 1x screw diameter	ØS
= min. screw length	LS

## Suitability

Base materials:

All types of concrete, masonry, hollow blocks and bricks, boards and panels

For fixing of:

All objects which can be fixed with wood screws or chip-board screws: picture frames, lamps, cup-boards skirting boards, towel rails, soap dishes, letter bo-

## Characteristics

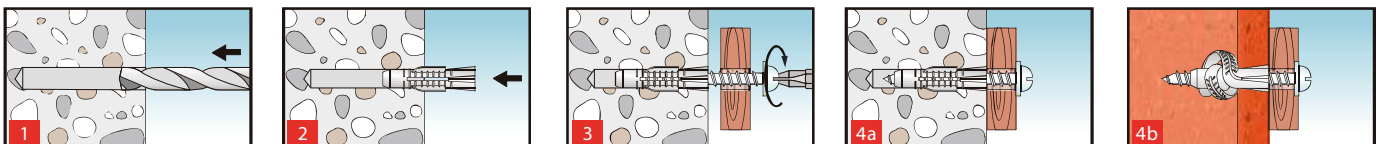
- universal use in nearly all materials
- proven triple-split design for perfect central screw guidance
- plug knots down in hollow material
- collar prevents the plug to slip into hole
- expansion free plug shank prevents damaging render or tiles

## Pullout loads in kN\*

	concrete C20/25	hollow bricks HLz 12	gypsum plasterboard 12,5 mm	aircrete P4
UD 5 mm	0,70	0,70	0,60	0,60
UD 6 mm	1,50	0,85	0,70	0,90
UD 8 mm	3,40	1,20	1,00	1,60
UD 10 mm	3,75	1,30	1,00	2,10
UD 12 mm	4,70	1,35	1,10	2,10

\* the loads stated are failure loads valid for general fixings and confirmed strength of the base material indicated. Lower loads apply in case of render, insulating material, non load bearing areas of the base material or too small edge/joint distances. An adequate safety factor should be applied.

## Installation



# Universal Plug - SD S

## Technical Data



KEW UDD - Push-through Universal plug

type	ref.-no.	ØD Ø Plug Ø Bit [mm]	LD = LV plug length = min. ancho- rage depth, [mm]	LB drill depth [mm]	ØS Ø screw dia [mm]	qty. per box pcs.	outer carton pcs.
UDD 5 x 31	32700	5	31	40	3,0 - 4,0	100	5400
UDD 6 x 36	32701	6	36	45	4,0 - 5,0	100	3600
UDD 6 x 51	35791	6	51	60	4,0 - 4,5	100	2700
UDD 8 x 51	32704	8	51	60	5,0 - 6,0	50	1350
UDD 10 x 61	32705	10	61	75	7,0 - 8,0	25	900
UDD 12 x 71	32706	12	71	85	8,0 - 10,0	25	900
UDD 14 x 75	32707	14	75	90	10,0 - 12,0	20	540
UDD 5 x 31	34142	5	31	40	3,0 - 4,0	1000	8000
UDD 6 x 36	33414	6	36	45	4,0 - 5,0	600	4800
UDD 6 x 51	35793	6	51	60	4,0 - 4,5	400	3200
UDD 8 x 51	33415	8	51	60	5,0 - 6,0	250	2000
UDD 10 x 61	33416	10	61	75	7,0 - 8,0	150	1200
UDD 12 x 71	34143	12	71	85	8,0 - 10,0	100	800
UDD 14 x 75	34144	14	75	90	10,0 - 12,0	75	600

## Technical Data



KEW UKD - Universal plug with collar

type	ref.-no.	ØD Ø Plug Ø Bit [mm]	LD = LV plug length = min. ancho- rage depth, [mm]	LB drill depth [mm]	ØS Ø screw dia [mm]	qty. per box pcs.	outer carton pcs.
UKD 5 x 32	32708	5	32	40	3,0 - 4,0	100	5400
UKD 6 x 37	32709	6	37	45	4,0 - 5,0	100	3600
UKD 6 x 52	35792	6	52	60	4,0 - 4,5	100	2700
UKD 8 x 52	32712	8	52	60	5,0 - 6,0	50	1350
UKD 10 x 62	32713	10	62	75	7,0 - 8,0	25	900
UKD 12 x 72	32714	12	72	85	8,0 - 10,0	25	675
UKD 14 x 76	32715	14	76	90	10,0 - 12,0	20	540
UKD 5 x 32	34145	5	32	40	3,0 - 4,0	1000	8000
UKD 6 x 37	33417	6	37	45	4,0 - 5,0	550	4400
UKD 6 x 52	35794	6	52	60	4,0 - 4,5	350	2800
UKD 8 x 52	33418	8	52	60	5,0 - 6,0	200	1600
UKD 10 x 62	33419	10	62	75	7,0 - 8,0	120	960
UKD 12 x 72	34146	12	72	85	8,0 - 10,0	75	600
UKD 14 x 76	34147	14	76	90	10,0 - 12,0	60	480



KEW UKD - Universal plug with collar, packed in green stack box with or without chipboard screws.

UKD 6 x 37	33007	6	37	45	4,0 x 5,0	200	8000
UKD 8 x 52	33008	8	52	60	5,0 x 6,0	100	4000
UKD 6 x 37SP	33015	6	37	45	4,5 x 50,0	75	3000
UKD 8 x 52SP	33016	8	52	60	6,0 x 70,0	35	1400