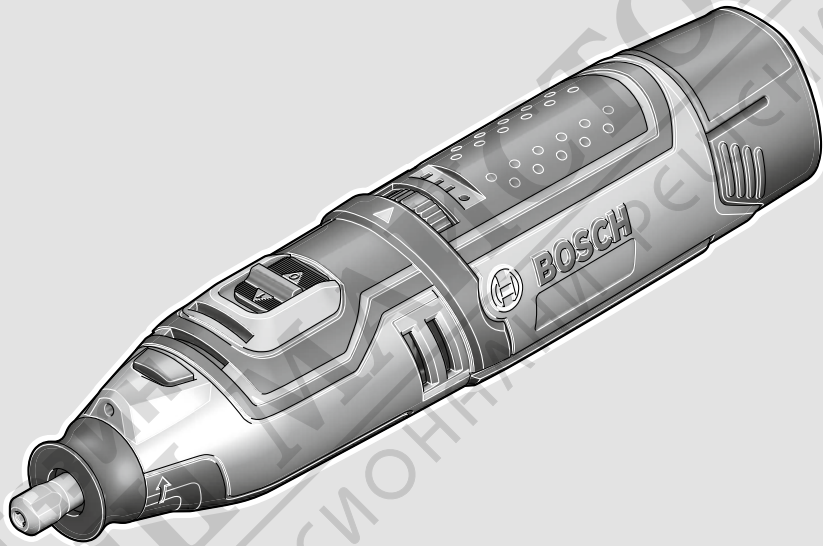




**BOSCH**

# GRO 12V-35 Professional

**HEAVY  
DUTY**



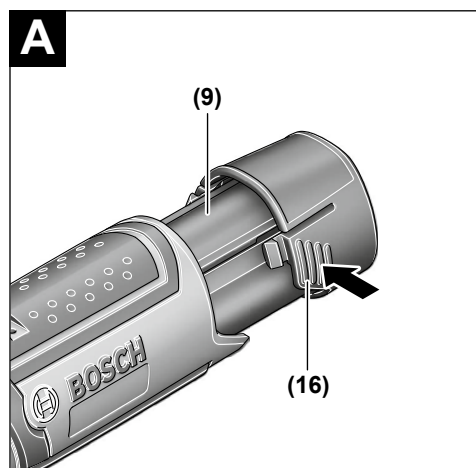
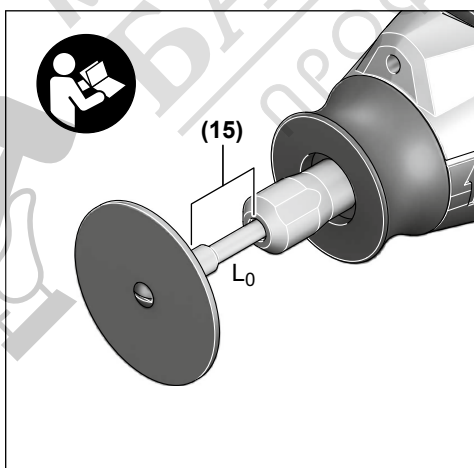
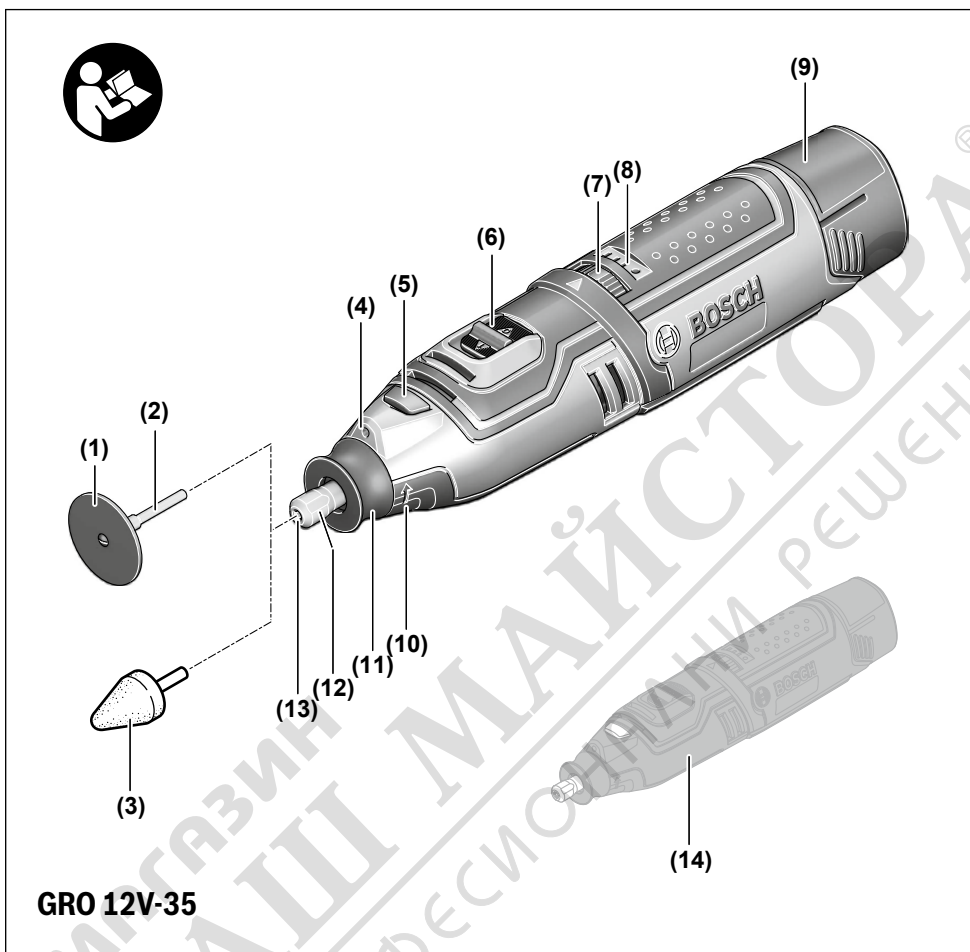
- en Original instructions
- fr Notice originale
- pt Manual original
- zh 正本使用说明书
- zh 原始使用說明書
- th หนังสือคู่มือการใช้งานฉบับ  
ต้นแบบ
- id Petunjuk-Petunjuk untuk  
Penggunaan Orisinal
- vi Bản gốc hướng dẫn sử dụng
- ar دليل التشغيل الأصلي
- fa دفترچه راهنمای اصلی

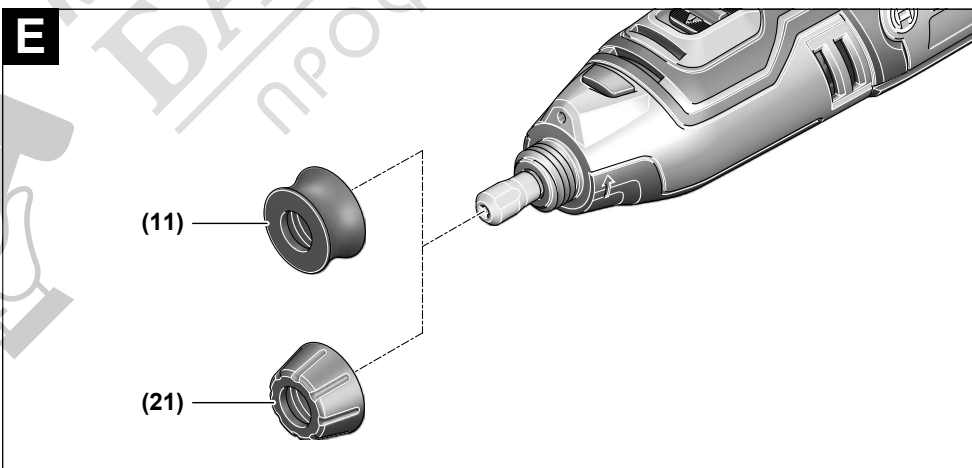
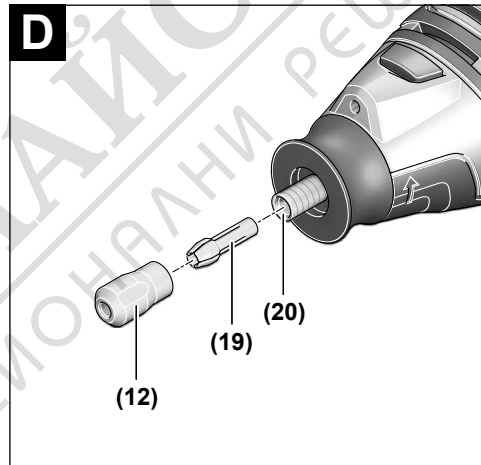
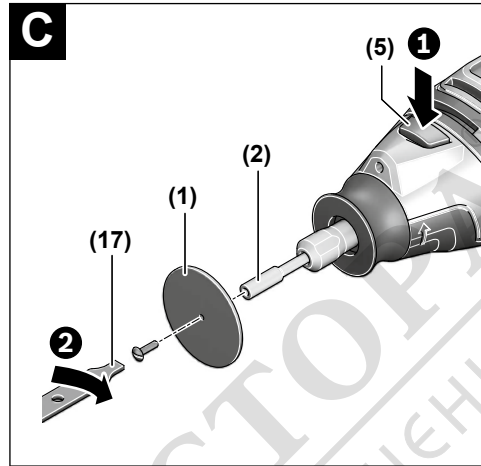
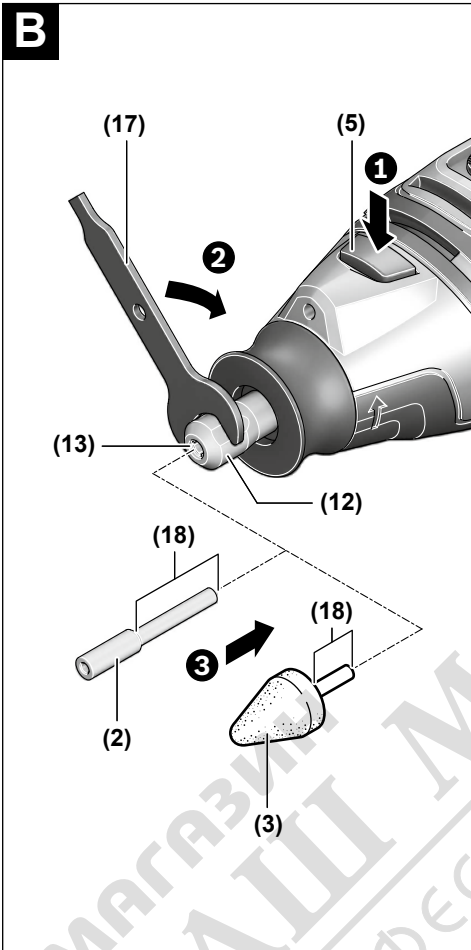


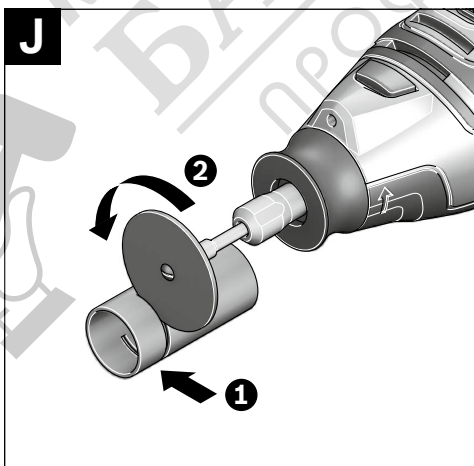
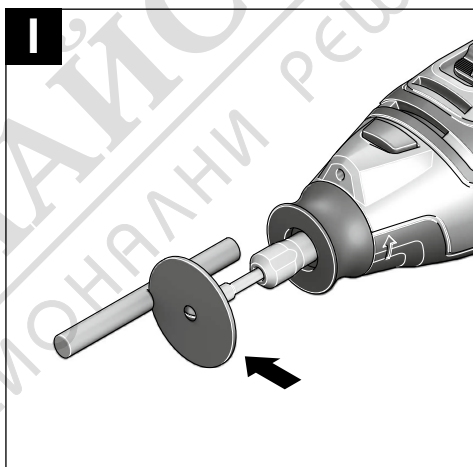
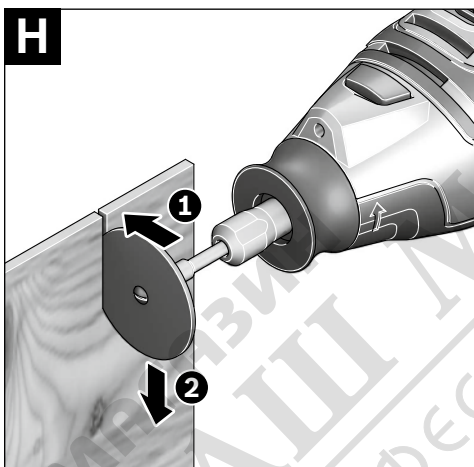
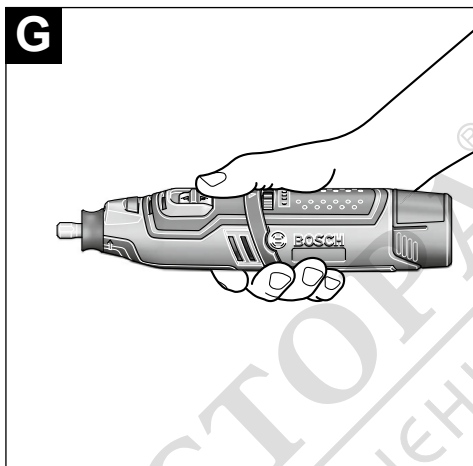
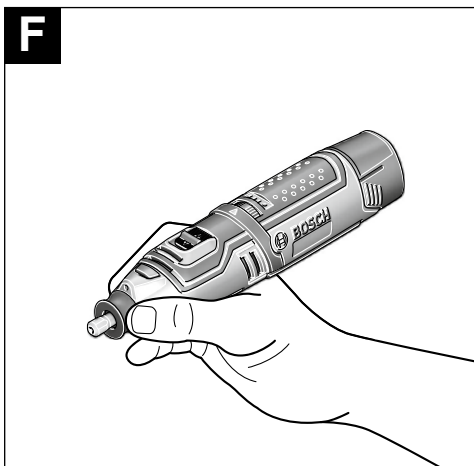
English .....	Page	6
Français .....	Page	12
Português .....	Página	20
中文 .....	頁	27
繁體中文 .....	頁	33
ไทย .....	หน้า	38
Bahasa Indonesia .....	Halaman	47
Tiếng Việt .....	Trang	54
عربي .....	الصفحة	63
فارسی .....	صفحه	71



МАГАЗИН  
БАШ МАЙСТОРА®  
ПРОФЕСИОНАЛНИ РЕШЕНИЯ







# English

## Safety Instructions

### General Power Tool Safety Warnings

**⚠ WARNING** Read all safety warnings and all instructions. Failure to follow the warnings and instructions may result in electric shock, fire and/or serious injury.

#### Save all warnings and instructions for future reference.

The term "power tool" in the warnings refers to your mains-operated (corded) power tool or battery-operated (cordless) power tool.

#### Work area safety

- ▶ **Keep work area clean and well lit.** Cluttered or dark areas invite accidents.
- ▶ **Do not operate power tools in explosive atmospheres, such as in the presence of flammable liquids, gases or dust.** Power tools create sparks which may ignite the dust or fumes.
- ▶ **Keep children and bystanders away while operating a power tool.** Distractions can cause you to lose control.

#### Electrical safety

- ▶ **Power tool plugs must match the outlet. Never modify the plug in any way. Do not use any adapter plugs with earthed (grounded) power tools.** Unmodified plugs and matching outlets will reduce risk of electric shock.
- ▶ **Avoid body contact with earthed or grounded surfaces, such as pipes, radiators, ranges and refrigerators.** There is an increased risk of electric shock if your body is earthed or grounded.
- ▶ **Do not expose power tools to rain or wet conditions.** Water entering a power tool will increase the risk of electric shock.
- ▶ **Do not abuse the cord. Never use the cord for carrying, pulling or unplugging the power tool. Keep cord away from heat, oil, sharp edges or moving parts.** Damaged or entangled cords increase the risk of electric shock.
- ▶ **When operating a power tool outdoors, use an extension cord suitable for outdoor use.** Use of a cord suitable for outdoor use reduces the risk of electric shock.
- ▶ **If operating a power tool in a damp location is unavoidable, use a residual current device (RCD) protected supply.** Use of an RCD reduces the risk of electric shock.

#### Personal safety

- ▶ **Stay alert, watch what you are doing and use common sense when operating a power tool. Do not use a power tool while you are tired or under the influence of drugs, alcohol or medication.** A moment of inattention while operating power tools may result in serious personal injury.

- ▶ **Use personal protective equipment. Always wear eye protection.** Protective equipment such as dust mask, non-skid safety shoes, hard hat, or hearing protection used for appropriate conditions will reduce personal injuries.
- ▶ **Prevent unintentional starting. Ensure the switch is in the off-position before connecting to power source and/or battery pack, picking up or carrying the tool.** Carrying power tools with your finger on the switch or energising power tools that have the switch on invites accidents.
- ▶ **Remove any adjusting key or wrench before turning the power tool on.** A wrench or a key left attached to a rotating part of the power tool may result in personal injury.
- ▶ **Do not overreach. Keep proper footing and balance at all times.** This enables better control of the power tool in unexpected situations.
- ▶ **Dress properly. Do not wear loose clothing or jewellery. Keep your hair, clothing and gloves away from moving parts.** Loose clothes, jewellery or long hair can be caught in moving parts.
- ▶ **If devices are provided for the connection of dust extraction and collection facilities, ensure these are connected and properly used.** Use of dust collection can reduce dust-related hazards.

#### Power tool use and care

- ▶ **Do not force the power tool. Use the correct power tool for your application.** The correct power tool will do the job better and safer at the rate for which it was designed.
- ▶ **Do not use the power tool if the switch does not turn it on and off.** Any power tool that cannot be controlled with the switch is dangerous and must be repaired.
- ▶ **Disconnect the plug from the power source and/or the battery pack from the power tool before making any adjustments, changing accessories, or storing power tools.** Such preventive safety measures reduce the risk of starting the power tool accidentally.
- ▶ **Store idle power tools out of the reach of children and do not allow persons unfamiliar with the power tool or these instructions to operate the power tool.** Power tools are dangerous in the hands of untrained users.
- ▶ **Maintain power tools. Check for misalignment or binding of moving parts, breakage of parts and any other condition that may affect the power tool's operation. If damaged, have the power tool repaired before use.** Many accidents are caused by poorly maintained power tools.
- ▶ **Keep cutting tools sharp and clean.** Properly maintained cutting tools with sharp cutting edges are less likely to bind and are easier to control.
- ▶ **Use the power tool, accessories and tool bits etc. in accordance with these instructions, taking into account the working conditions and the work to be performed.**

**formed.** Use of the power tool for operations different from those intended could result in a hazardous situation.

#### Battery tool use and care

- ▶ **Recharge only with the charger specified by the manufacturer.** A charger that is suitable for one type of battery pack may create a risk of fire when used with another battery pack.
- ▶ **Use power tools only with specifically designated battery packs.** Use of any other battery packs may create a risk of injury and fire.
- ▶ **When battery pack is not in use, keep it away from other metal objects, like paper clips, coins, keys, nails, screws or other small metal objects, that can make a connection from one terminal to another.** Shorting the battery terminals together may cause burns or a fire.
- ▶ **Under abusive conditions, liquid may be ejected from the battery; avoid contact. If contact accidentally occurs, flush with water. If liquid contacts eyes, additionally seek medical help.** Liquid ejected from the battery may cause irritation or burns.

#### Service

- ▶ **Have your power tool serviced by a qualified repair person using only identical replacement parts.** This will ensure that the safety of the power tool is maintained.

#### Safety instructions for all operations

**Safety warnings common for grinding, sanding, wire brushing, polishing, carving or abrasive cutting-off operations**

- ▶ **This power tool is intended to function as a grinder, sander, wire brush, polisher, carving or cut-off tool. Read all safety warnings, instructions, illustrations and specifications provided with this power tool.** Failure to follow all instructions listed below may result in electric shock, fire and/or serious injury.
- ▶ **Do not use accessories which are not specifically designed and recommended by the tool manufacturer.** Just because the accessory can be attached to your power tool, it does not assure safe operation.
- ▶ **The rated speed of the grinding accessories must be at least equal to the maximum speed marked on the power tool.** Grinding accessories running faster than their rated speed can break and fly apart.
- ▶ **The outside diameter and the thickness of your accessory must be within the capacity rating of your power tool.** Incorrectly sized accessories cannot be adequately controlled.
- ▶ **The arbour size of wheels, sanding drums or any other accessory must properly fit the spindle or collet of the power tool.** Accessories that do not match the mounting hardware of the power tool will run out of balance, vibrate excessively and may cause loss of control.
- ▶ **Mandrel mounted wheels, sanding drums, cutters or other accessories must be fully inserted into the collet**

**or chuck.** If the mandrel is insufficiently held and/or the overhang of the wheel is too long, the mounted wheel may become loose and be ejected at high velocity.

- ▶ **Do not use a damaged accessory. Before each use inspect the accessory such as abrasive wheels for chips and cracks, sanding drum for cracks, tear or excess wear, wire brush for loose or cracked wires. If power tool or accessory is dropped, inspect for damage or install an undamaged accessory. After inspecting and installing an accessory, position yourself and bystanders away from the plane of the rotating accessory and run the power tool at maximum no-load speed for one minute.** Damaged accessories will normally break apart during this test time.
- ▶ **Wear personal protective equipment. Depending on application, use face shield, safety goggles or safety glasses. As appropriate, wear dust mask, hearing protectors, gloves and workshop apron capable of stopping small abrasive or workpiece fragments.** The eye protection must be capable of stopping flying debris generated by various operations. The dust mask or respirator must be capable of filtering particles generated by your operation. Prolonged exposure to high intensity noise may cause hearing loss.
- ▶ **Keep bystanders a safe distance away from work area. Anyone entering the work area must wear personal protective equipment.** Fragments of workpiece or of a broken accessory may fly away and cause injury beyond immediate area of operation.
- ▶ **Hold power tool by insulated gripping surfaces only, when performing an operation where the cutting accessory may contact hidden wiring or its own cord.** Cutting accessory contacting a "live" wire may make exposed metal parts of the power tool "live" and could give the operator an electric shock.
- ▶ **Always hold the tool firmly in your hand(s) during the start-up.** The reaction torque of the motor, as it accelerates to full speed, can cause the tool to twist.
- ▶ **Use clamps to support workpiece whenever practical. Never hold a small workpiece in one hand and the tool in the other hand while in use.** Clamping a small workpiece allows you to use your hand(s) to control the tool. Round material such as dowel rods, pipes or tubing have a tendency to roll while being cut, and may cause the bit to bind or jump toward you.
- ▶ **Position the cord clear of the spinning accessory.** If you lose control, the cord may be cut or snagged and your hand or arm may be pulled into the spinning accessory.
- ▶ **Never lay the power tool down until the accessory has come to a complete stop.** The spinning accessory may grab the surface and pull the power tool out of your control.
- ▶ **After changing the bits or making any adjustments, make sure the collet nut, chuck or any other adjustment devices are securely tightened.** Loose adjustment devices can unexpectedly shift, causing loss of control, loose rotating components will be violently thrown.

- ▶ **Do not run the power tool while carrying it at your side.** Accidental contact with the spinning accessory could snag your clothing, pulling the accessory into your body.
- ▶ **Regularly clean the power tool's air vents.** The motor's fan will draw the dust inside the housing and excessive accumulation of powdered metal may cause electrical hazards.
- ▶ **Do not operate the power tool near flammable materials.** Sparks could ignite these materials.
- ▶ **Do not use accessories that require liquid coolants.** Using water or other liquid coolants may result in electrocution or shock.

#### Kickback and related warnings

Kickback is a sudden reaction to a pinched or snagged rotating wheel, sanding band, brush or any other accessory. Pinching or snagging causes rapid stalling of the rotating accessory which in turn causes the uncontrolled power tool to be forced in the direction opposite of the accessory's rotation.

For example, if an abrasive wheel is snagged or pinched by the workpiece, the edge of the wheel that is entering into the pinch point can dig into the surface of the material causing the wheel to climb out or kick out. The wheel may either jump toward or away from the operator, depending on direction of the wheel's movement at the point of pinching. Abrasive wheels may also break under these conditions.

Kickback is the result of power tool misuse and/or incorrect operating procedures or conditions and can be avoided by taking proper precautions as given below.

- ▶ **Maintain a firm grip on the power tool and position your body and arm to allow you to resist kickback forces.** The operator can control kickback forces, if proper precautions are taken.
- ▶ **Use special care when working corners, sharp edges etc. Avoid bouncing and snagging the accessory.** Corners, sharp edges or bouncing have a tendency to snag the rotating accessory and cause loss of control or kickback.
- ▶ **Do not attach a toothed saw blade.** Such blades create frequent kickback and loss of control.
- ▶ **Always feed the bit into the material in the same direction as the cutting edge is exiting from the material (which is the same direction as the chips are thrown).** Feeding the tool in the wrong direction causes the cutting edge of the bit to climb out of the work and pull the tool in the direction of this feed.
- ▶ **When using cut-off wheels, always have the work securely clamped.** These wheels will grab if they become slightly canted in the groove, and can kickback. When a cut-off wheel grabs, the wheel itself usually breaks. When the rotary file, high-speed cutter or tungsten carbide cutter grab, it may jump from the groove and you could lose control of the tool.

#### Safety warnings specific for grinding and abrasive cutting-off operations

- ▶ **Use only wheel types that are recommended for your power tool and only for recommended applications.** For example: **do not grind with the side of a cut-off wheel.** Abrasive cut-off wheels are intended for peripheral grinding, side forces applied to these wheels may cause them to shatter.
- ▶ **For threaded abrasive cones and plugs use only undamaged wheel mandrels with an unrelieved shoulder flange that are of correct size and length.** Proper mandrels will reduce the possibility of breakage.
- ▶ **Do not "jam" a cut-off wheel or apply excessive pressure. Do not attempt to make an excessive depth of cut.** Overstressing the wheel increases the loading and susceptibility to twisting or snagging of the wheel in the cut and the possibility of kickback or wheel breakage.
- ▶ **Do not position your hand in line with and behind the rotating wheel.** When the wheel, at the point of operation, is moving away from your hand, the possible kickback may propel the spinning wheel and the power tool directly at you.
- ▶ **When wheel is pinched, snagged or when interrupting a cut for any reason, switch off the power tool and hold the power tool motionless until the wheel comes to a complete stop. Never attempt to remove the cut-off wheel from the cut while the wheel is in motion otherwise kickback may occur.** Investigate and take corrective action to eliminate the cause of wheel pinching or snagging.
- ▶ **Do not restart the cutting operation in the workpiece. Let the wheel reach full speed and carefully re-enter the cut.** The wheel may bind, walk up or kickback if the power tool is restarted in the workpiece.
- ▶ **Support panels or any oversized workpiece to minimize the risk of wheel pinching and kickback.** Large workpieces tend to sag under their own weight. Supports must be placed under the workpiece near the line of cut and near the edge of the workpiece on both sides of the wheel.
- ▶ **Use extra caution when making a "pocket cut" into existing walls or other blind areas.** The protruding wheel may cut gas or water pipes, electrical wiring or objects that can cause kickback.

#### Safety warnings specific for wire brushing operations

- ▶ **Be aware that wire bristles are thrown by the brush even during ordinary operation. Do not overstress the wires by applying excessive load to the brush.** The wire bristles can easily penetrate light clothing and/or skin.
- ▶ **Allow brushes to run at operating speed for at least one minute before using them. During this time no one is to stand in front or in line with the brush.** Loose bristles or wires will be discharged during the run-in time.
- ▶ **Direct the discharge of the spinning wire brush away from you.** Small particles and tiny wire fragments may be



discharged at high velocity during the use of these brushes and may become imbedded in your skin.

#### Additional safety information

- ▶ **Do not touch grinding and cutting discs until they have cooled down.** The discs can become very hot while working.
- ▶ **Secure the workpiece.** A workpiece clamped with clamping devices or in a vice is held more secure than by hand.
- ▶ **This power tool is not suitable for bench-mounted use.** It must not be clamped into a vice or fastened to a workbench, for example.
- ▶ **In case of damage and improper use of the battery, vapours may be emitted. The battery can set alight or explode.** Ensure the area is well ventilated and seek medical attention should you experience any adverse effects. The vapours may irritate the respiratory system.
- ▶ **Do not open the battery.** There is a risk of short-circuiting.
- ▶ **The battery can be damaged by pointed objects such as nails or screwdrivers or by force applied externally.** An internal short circuit may occur, causing the battery to burn, smoke, explode or overheat.
- ▶ **Only use the battery with products from the manufacturer.** This is the only way in which you can protect the battery against dangerous overload.



**Protect the battery against heat, e.g. against continuous intense sunlight, fire, dirt, water and moisture.** There is a risk of explosion and short-circuiting.



## Product Description and Specifications



#### Read all the safety and general instructions.

Failure to observe the safety and general instructions may result in electric shock, fire and/or serious injury.

Please observe the illustrations at the beginning of this operating manual.

#### Intended Use

The power tool is intended for cutting metal and stone materials, and for grinding, sanding and polishing metal and painted surfaces without the use of water. In addition to this, the power tool is suitable for drilling in wood, soft metal, plastic and light building materials when used with the appropriate accessories.

#### Product Features

The numbering of the product features refers to the diagram of the power tool on the graphics page.

- (1) Cutting disc
- (2) Holding rod

- (3) Grinding tools<sup>a)</sup>
  - (4) "PowerLight" lamp
  - (5) Spindle lock
  - (6) On/off switch
  - (7) Speed regulator
  - (8) Battery charge indicator
  - (9) Battery
  - (10) Direction-of-rotation arrow for grinding spindle
  - (11) Dust protection cap (for detailed work)
  - (12) Clamping nut
  - (13) Tool holder of the collet
  - (14) Handle (insulated gripping surface)
  - (15) Inner shank dimension L<sub>0</sub>
  - (16) Battery release button
  - (17) Open-ended spanner/screwdriver
  - (18) Shank
  - (19) Collet
  - (20) Drive spindle
  - (21) Dust protection cap (for working close to surfaces)
- a) **Accessories shown or described are not included with the product as standard. You can find the complete selection of accessories in our accessories range.**

#### Technical Data

Cordless multi rotary tool		GRO 12V-35
Article number	3 601 JCS 0..	
Rated voltage	V=	12
Rated speed <sup>A)</sup>	min <sup>-1</sup>	5000 – 35,000
Collets diameter	mm	3.2
Spanner flat of collet	mm	9.55
Max. outer diameter		
– Cutting disc	mm	38
– Grinding accessory	mm	22.5
– Wire brush	mm	20
– Grinding disc	mm	20
– Drill bit	mm	3.2
– Sanding accessories	mm	80
Max. inner shank dimension L <sub>0</sub>	mm	10
Max. shank length	mm	35
Weight according to EPTA-Procedure 01:2014 <sup>B)</sup>	kg	0.65 – 0.85
Recommended ambient temperature during charging	°C	0 to +35
Permitted ambient temperature during operation <sup>C)</sup> and during storage	°C	–20 to +50
Recommended rechargeable batteries		GBA 12V...

**Cordless multi rotary tool****GRO 12V-35**

Recommended chargers

GAL 12...

GAX 18...

- A) Measured at 20–25 °C with rechargeable battery **GBA 12V 2.0Ah**.
- B) Depends on battery in use
- C) Limited performance at temperatures <0 °C

**Fitting**

- **Remove the battery from the power tool before carrying out work on the power tool (e.g. maintenance, changing tool, etc.). The battery should also be removed for transport and storage.** There is risk of injury from unintentionally pressing the on/off switch.

**Charging the Battery**

- **Use only the chargers listed in the technical data.** Only these chargers are matched to the lithium-ion battery of your power tool.

**Note:** The battery is supplied partially charged. To ensure full battery capacity, fully charge the battery in the charger before using your power tool for the first time.

The lithium-ion battery can be charged at any time without reducing its service life. Interrupting the charging process does not damage the battery.

The lithium-ion battery is protected against deep discharge by the "Electronic Cell Protection (ECP)". When the battery is discharged, the power tool is switched off by means of a protective circuit: The application tool no longer rotates.

- **Do not continue to press the On/Off switch after the power tool has automatically switched off.** The battery can be damaged.

Follow the instructions on correct disposal.

**Removing the Battery (see figure A)**

To remove the battery (9), press the release button (16) and pull the battery to the rear and out of the power tool. **Do not use force to do this.**

**Battery charge indicator**

The three green LEDs of the battery charge indicator (8) indicate the state of charge of the battery (9).

LEDs	Meaning
3 × continuous green light	60–100%
2 × continuous green light	30–60%
1 × continuous green light	5–30%
1 × flashing green light	0–5%
1 × continuous red light	Power tool has overheated! – Switch the power tool off and allow it to cool down completely.
1 × flashing red light	Power tool has overloaded! – Exert less pressure on the workpiece during work.

**Changing the Tool**

- **When inserting an application tool, ensure that the shank of the application tool is firmly seated in the tool holder.** When the shank of the application tool is not inserted deep enough in the tool holder, the application tool can become loose again and cannot be controlled.
- **Do not use application tools that are worn or in otherwise less than perfect condition.** Defective application tools can break, for example, causing material damage and personal injury.
- **Only use brand accessories for grinding, sanding, brushing, polishing, routing and cut-off grinding from the dealer for the power tool, which are approved for a speed of 35,000 min<sup>-1</sup> and which have a shank with an outside diameter of 3.2 mm.**

**Inserting the Application Tool (see figure B)**

- Press the spindle lock (5) and turn the clamping nut (12) by hand until locked.
- Press and hold the spindle lock and loosen the clamping nut (12) with the open-ended spanner (17) by turning it anticlockwise.
- Insert the dust-free application tool (e.g. holding rod (2), grinding accessory (3) or drill bit) into the tool holder (13) of the collet (19).

**Note:** Ensure that the shank (18) of the application tool sits in as far as possible, but at least 10 mm into the collet.

- Press and hold the spindle lock (5) and tighten the application tool by turning the clamping nut (12) clockwise with the open-ended spanner (17).

**Removing the application tool**

- Loosen the clamping nut (12) as previously described and remove the application tool.

**Fitting the Cutting Disc (see figure C)**

Cutting discs reinforced with fibreglass are included in the scope of delivery. They can be used for grooving, routing and cutting metal, wood and plastic.

- Insert the holding rod (2) into the tool holder (see "Inserting the Application Tool (see figure B)", page 10).
- Press and hold the spindle lock (5) and completely unscrew the screw on the holding rod (2) using the screwdriver (17).
- Attach the cutting disc (1) to the holding rod (2) and reinsert and tighten the screw.

**Changing the Collet (see figure D)**

- Press the spindle lock (5) and turn the clamping nut (12) by hand until locked.
- Press and hold the spindle lock and loosen the clamping nut (12) with the open-ended spanner (17) by turning it anticlockwise.
- Remove the clamping nut (12) together with the collet (19).
- Insert the required collet into the drive spindle (20).

- Screw the clamping nut (12) onto the drive spindle (20) and tighten it slightly by turning it clockwise with the open-ended spanner (17).

### Changing the Dust Protection Cap (see figure E)

Two dust protection caps are included in the scope of delivery.

Use the dust protection cap (11) when you need a good grip for detailed work.

Use the dust protection cap (21) when you have to work close to the workpiece surface.

The dust protection cap largely prevents the penetration of dust into the tool holder during operation. When inserting the tool, make sure that the dust protection cap does not become damaged.

- Unscrew the dust protection cap used.
- Screw on the new dust protection cap and tighten it.

### Dust/Chip Extraction

Dust from materials such as lead-containing coatings, some wood types, minerals and metal can be harmful to one's health. Touching or breathing-in the dust can cause allergic reactions and/or lead to respiratory infections of the user or bystanders.

Certain dust, such as oak or beech dust, is considered carcinogenic, especially in connection with wood-treatment additives (chromate, wood preservative). Materials containing asbestos may only be worked by specialists.

- Provide for good ventilation of the working place.
- It is recommended to wear a P2 filter-class respirator.

Observe the relevant regulations in your country for the materials to be worked.

- ▶ **Avoid dust accumulation at the workplace.** Dust can easily ignite.

## Operation

### Starting operation

#### Inserting the Battery

Insert the charged battery (9) into the battery holder until it is flush and you feel it engage.

#### Switching On and Off

To **start** the power tool, slide the on/off switch (6) forwards.

To **switch off** the power tool, push the on/off switch (6) towards the rear.

### Adjusting the Speed

The speed regulator (7) enables continuously variable adjustment of the speed of the power tool even during operation.

Speed setting	Speed adjustment range
1	5000–8000 min <sup>-1</sup>
2	9000–12,000 min <sup>-1</sup>

Speed setting	Speed adjustment range
3	16,000–19,000 min <sup>-1</sup>
4	20,000–24,000 min <sup>-1</sup>
5	24,000–28,000 min <sup>-1</sup>
6	30,000–35,000 min <sup>-1</sup>

- When working with plastics and other materials with a low melting point, use low speeds.
- Perform cutting work in wood, iron or steel at high speeds.
- When polishing, buffing and cleaning, work with speeds of up to max. 15,000 min<sup>-1</sup> in order to avoid damaging the workpiece and application tool.

### Practical advice

Detailed work can be carried out best if you hold the power tool as a pen between the thumb and index finger (see figure F).

For heavy work such as cutting or grinding, use the "golf grip method" (see figure G).

Move the cutting disc or grinding accessory with light pressure to achieve an optimum work result. Too much pressure will reduce the performance of the power tool and lead to faster wear of the application tool.

- ▶ **Ensure that grinding tools and cutting discs are protected against impact when stored.**

### Recommended Cutting Methods

- Board materials (see figure H)
- Rods (see figure I)
- Pipes (see figure J)

### Blockage Protection

The built-in blockage protection protects the motor and battery in case of a blockage. If the application tool becomes jammed in the workpiece or if too much pressure is exerted on the workpiece, the motor will stop.

- Determine the cause of the blockage and eliminate it.

### Recommendations for optimal handling of the battery

Protect the battery against moisture and water.

Only store the battery only within a temperature range of -20 to 50 °C. Do not leave the battery in your car in the summer, for example.

Occasionally clean the ventilation slots on the battery using a soft brush that is clean and dry.

A significantly reduced operating time after charging indicates that the battery has deteriorated and must be replaced.

Follow the instructions on correct disposal.

## Maintenance and Service

### Maintenance and Cleaning

- ▶ **Remove the battery from the power tool before carrying out work on the power tool (e.g. maintenance,**

changing tool, etc.). The battery should also be re-moved for transport and storage. There is risk of injury from unintentionally pressing the on/off switch.

- **To ensure safe and efficient operation, always keep the power tool and the ventilation slots clean.**

Store and handle the accessories carefully.

### After-Sales Service and Application Service

Our after-sales service responds to your questions concerning maintenance and repair of your product as well as spare parts. You can find explosion drawings and information on spare parts at: [www.bosch-pt.com](http://www.bosch-pt.com)

The Bosch product use advice team will be happy to help you with any questions about our products and their accessories.

In all correspondence and spare parts orders, please always include the 10-digit article number given on the nameplate of the product.

#### Malaysia

Robert Bosch Sdn. Bhd. (220975-V) PT/SMY

No. 8A, Jalan 13/6

46200 Petaling Jaya

Selangor

Tel.: (03) 79663194

Toll-Free: 1800 880188

Fax: (03) 79583838

E-Mail: [kiathoe.chong@my.bosch.com](mailto:kiathoe.chong@my.bosch.com)

[www.bosch-pt.com.my](http://www.bosch-pt.com.my)

#### You can find further service addresses at:

[www.bosch-pt.com/serviceaddresses](http://www.bosch-pt.com/serviceaddresses)

### Transport

The contained lithium-ion batteries are subject to the Dangerous Goods Legislation requirements. The batteries are suitable for road-transport by the user without further restrictions.

When shipping by third parties (e.g.: by air transport or forwarding agency), special requirements on packaging and labelling must be observed. For preparation of the item being shipped, consulting an expert for hazardous material is required.

Dispatch battery packs only when the housing is undamaged. Tape or mask off open contacts and pack up the battery in such a manner that it cannot move around in the packaging. Please also observe the possibility of more detailed national regulations.

### Disposal



Power tools, rechargeable batteries, accessories and packaging should be sorted for environmental-friendly recycling.



Do not dispose of power tools and batteries/rechargeable batteries into household waste!

### Battery packs/batteries:

#### Li-ion:

Please observe the notes in the section on transport (see "Transport", page 12).

## Français

### Consignes de sécurité

#### Avertissements de sécurité généraux pour l'outil

#### **AVERTISSEMENT** Lire tous les avertissements de sécurité et toutes les instructions.

Ne pas suivre les avertissements et instructions peut donner lieu à un choc électrique, un incendie et/ou une blessure sérieuse.

#### Conservation des avertissements et des instructions pour pouvoir s'y reporter ultérieurement.

Le terme «outil» dans les avertissements fait référence à votre outil électrique alimenté par le secteur (avec cordon d'alimentation) ou votre outil fonctionnant sur batterie (sans cordon d'alimentation).

#### Sécurité de la zone de travail

- **Conservation de la zone de travail propre et bien éclairée.** Les zones en désordre ou sombres sont propices aux accidents.
- **Ne pas faire fonctionner les outils électriques en atmosphère explosive, par exemple en présence de liquides inflammables, de gaz ou de poussières.** Les outils électriques produisent des étincelles qui peuvent enflammer les poussières ou les fumées.
- **Maintenir les enfants et les personnes présentes à l'écart pendant l'utilisation de l'outil.** Les distractions peuvent vous faire perdre le contrôle de l'outil.

#### Sécurité électrique

- **Il faut que les fiches de l'outil électrique soient adaptées au socle. Ne jamais modifier la fiche de quelque façon que ce soit. Ne pas utiliser d'adaptateurs avec des outils à branchement de terre.** Des fiches non modifiées et des socles adaptés réduisent le risque de choc électrique.
- **Éviter tout contact du corps avec des surfaces reliées à la terre telles que les tuyaux, les radiateurs, les cuisinières et les réfrigérateurs.** Il existe un risque accru de choc électrique si votre corps est relié à la terre.
- **Ne pas exposer les outils à la pluie ou à des conditions humides.** La pénétration d'eau à l'intérieur d'un outil augmentera le risque de choc électrique.
- **Ne pas maltraiter le cordon. Ne jamais utiliser le cordon pour porter, tirer ou débrancher l'outil. Maintenir le cordon à l'écart de la chaleur, du lubrifiant, des arêtes ou des parties en mouvement.** Des cordons en-



**Robert Bosch Power Tools GmbH**  
70538 Stuttgart  
GERMANY

[www.bosch-pt.com](http://www.bosch-pt.com)

**1 609 92A 6BM** (2021.03) 0/80



**1 609 92A 6BM**



МАГАЗИН МАЙСТОРА  
ПРОФЕСИОНАЛНИ РЕШЕНИЯ

en  
fr  
pt  
zh  
zh  
th  
  
id  
  
vi  
ar  
fa