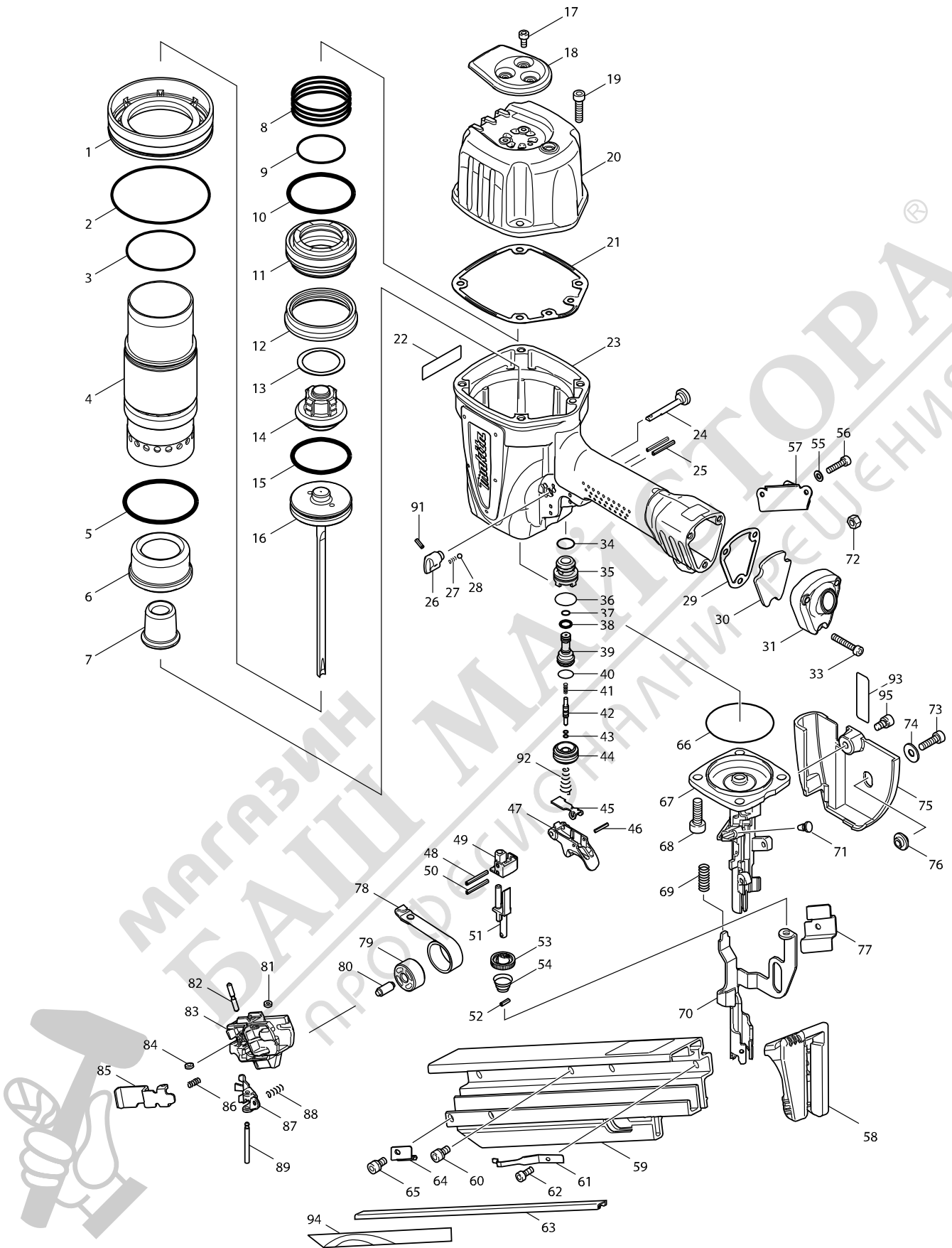


Model No. AN943 FRAMING NAILER (CLIP HEAD)



Item	Parts No.	Description	I/C	Qty	N/O	Opt. 1	Opt. 2	Note
001	419115-6	CYLINDER SEPARATOR		1				
002	213809-3	O RING 87		1				
003	213668-5	O RING 60		1				
004	331700-4	CYLINDER		1				
005	213667-7	O RING 60		1				
006	421680-3	CUSHION F		1				
007	421687-9	CUSHION GUIDE		1				
008	233243-1	COMPRESSION SPRING 50		1				
009	213504-5	O RING 40		1				
010	213669-3	O RING 56		1				
011	419114-8	HEAD VALVE		1				
012	421925-9	VALVE SEAT		1				
013	267742-1	WASHER 34		1				
014	421924-1	CUSHION REAR		1				
015	213619-8	O RING 49		1				
016	154652-0	DRIVER COMPLETE		1				
017	265499-8	HEX.SOCKET HEAD BOLT M5X10		3				
018	345618-3	EXHAUST COVER		1				
019	922342-1	HEX. SOCKET HEAD BOLT M6X25		4				
020	317950-5	TOP CAP		1				
021	162238-6	TOPCAP GASKET		1				
023	154820-5	HOUSING COMPLETE		1				
C10	421921-7	GRIP		1				
C20	421922-5	HOUSING BUMPER R		1				
C30	421923-3	HOUSING BUMPER L		1				
C40	817592-0	CAUTION LABEL		1				
024	324117-8	LOCK PIN 8		1				
025	951075-1	SPRING PIN 3-28		2				
026	417824-1	LEVER 8		1				
027	233368-1	COMPRESSION SPRING 3		1				
028	216008-6	STEEL BALL 4		1				
029	162239-4	INLET CAP GASKET		1				
030	419356-4	INLET FILTER		1				
031	318005-9	INLET CAP		1				
033	922252-2	HEX. SOCKET HEAD BOLT M5X30		3				
034	213176-6	O RING 14		1				
035	417695-6	TRIGGER VALVE GUIDE		1				
036	213262-3	O RING 18		1				
037	213039-6	O RING 6		1				
038	213040-1	O RING 8		1				
039	317959-7	PILOT VALVE		1				
040	213122-9	O RING 12		1				
041	233239-2	COMPRESSION SPRING 3		1				
042	324591-0	TRIGGER VALVE STEM		1				
043	213044-3	O RING 3		2				
044	318010-6	TRIGGER VALVE CASE		1				
045	345687-4	IDLER		1				
046	258004-8	SPRING PIN 2.5-16		1				

Please order the parts with a part number.

Print Date 31/01/2019

Item	Parts No.	Description	I/C	Qty	N/O	Opt. 1	Opt. 2	Note
047	419418-8	TRIGGER		1				
048	951075-1	SPRING PIN 3-28		1				
049	310165-3	HOLDER		1				
050	951075-1	SPRING PIN 3-28		1				
051	310166-1	STOPPER		1				
052	951054-9	SPRING PIN 3-10		1				
053	310163-7	ADJUSTER		1				
054	231978-8	CONICAL COMP. SPRING 9-16		1				
055	267300-3	FLAT WASHER 5		2				
056	266369-4	HEX SOCKET HEAD BOLT M5X20		2				
057	345626-4	JOINT		1				
058	419117-2	MAGAZINE CAP		1				
059	154823-9	MAGAZINE COMPLETE		1				
C10	810022-0	CAUTION LABEL		1	*			
C11	816R52-7	CAUTION LABEL	<	1				
060	266370-9	HEX SOCKET HEAD BOLT M6X12		2				
061	345619-1	NAIL STOPPER		1				
062	922217-4	HEX. SOCKET HEAD BOLT M5X14		1				
063	345620-6	MAGAZINE RAIL		1				
064	344765-7	HOLDER		1				
065	266370-9	HEX SOCKET HEAD BOLT M6X12		1				
066	213654-6	O RING 60		1				
067	310164-5	DRIVER GUIDE		1				
068	266368-6	HEX SOCKET HEAD BOLT M8X25		4				
069	233463-7	COMPRESSION SPRING 10		1				
070	345622-2	CONTACT ARM		1				
071	421418-6	RUBBER PIN 9.5		1				
072	931302-2	HEX. NUT M6		2				
073	265498-0	HEX.SOCKET HEAD BOLT M6X20		1				
074	267314-2	FLAT WASHER 7		1				
075	419118-0	COVER		1				
076	267743-9	SHOLDER WASHER 6		1				
077	344766-5	HOLDER		1				
078	163456-9	SPIRAL SPRING COMPLETE		1				
079	419112-2	SPRING GUIDE		1				
080	256428-2	PIN 5-8		1				
081	262054-7	URETHANE RING 3		1				
082	256770-1	PIN 4		1				
083	419116-4	PUSHER LEVER		1				
084	262054-7	URETHANE RING 3		1				
085	345673-5	LOCK PLATE		1				
086	231309-1	COMPRESSION SPRING 5		1				
087	345621-4	PUSHER		1				
088	233038-2	COMPRESSION SPRING 5		1				
089	256490-7	PIN 4		1				
091	951054-9	SPRING PIN 3-10		1				
092	233908-5	CONICAL COMPRESSION SPRING4-11		1				
093	810097-9	INDICATION LABEL		1				

Please order the parts with a part number.

Print Date 31/01/2019

