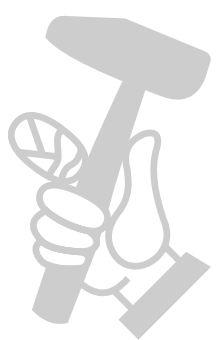
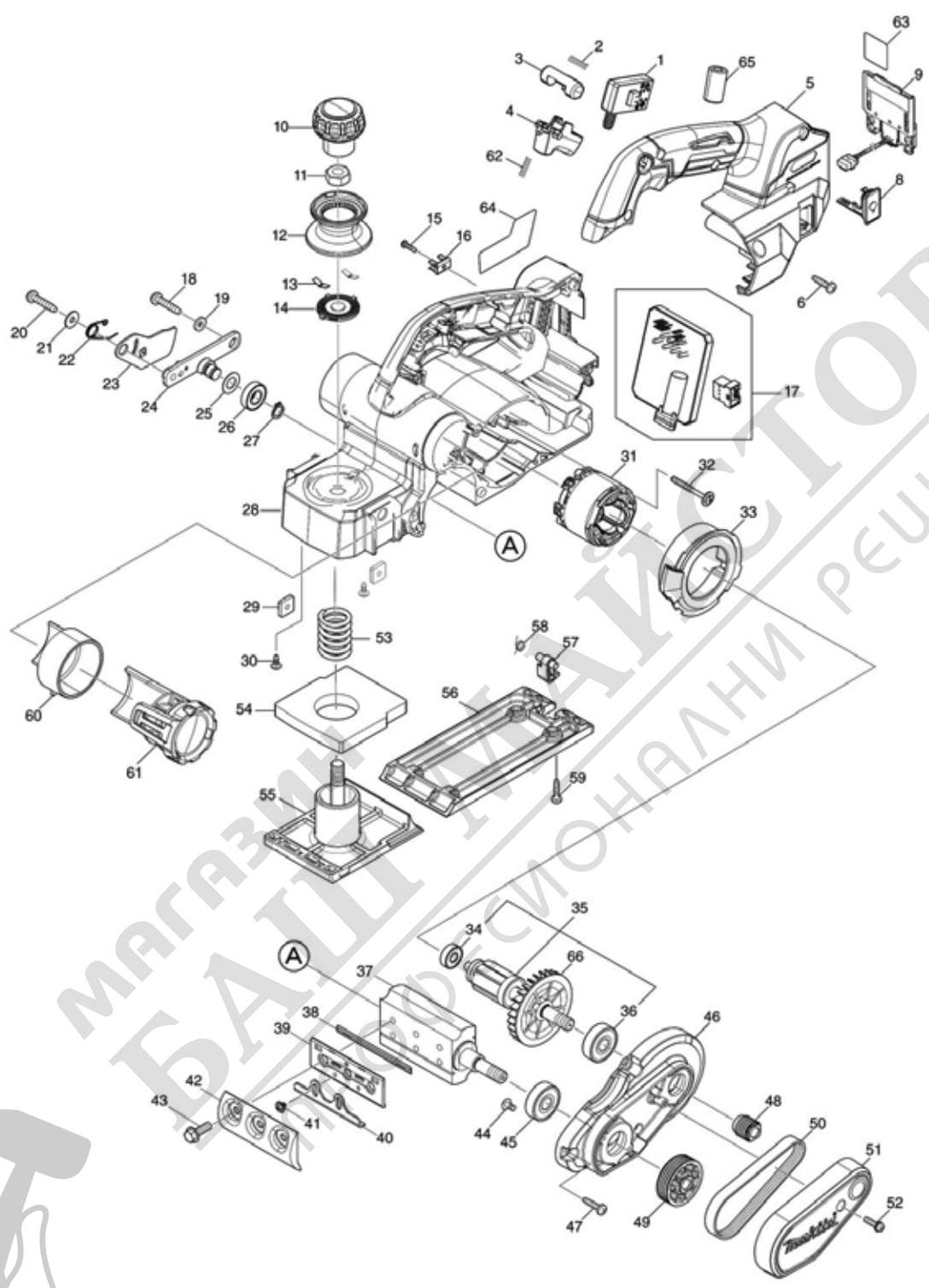


Model No.KP001G 82MM CORDLESS PLANER



| Nr. | Part nr. | Name |
|--------|----------|------------------------------|
| 001 | 651083-9 | Schakelaar C3Xa-1Pspm Dsp600 |
| 002 | 231433-0 | Drukveer 4Mm |
| 003 | 419704-7 | Vergrendelknop Kp0810/C A |
| 004 | 457432-6 | Schakelaarknop DRS780 |
| 005 | 136650-6 | Handgreepdeksel KP001G |
| 005C10 | 263005-3 | Rubber Pen 6 AC320H P |
| 005C20 | 8005T5-8 | Label XGT logo |
| 006 | 265995-6 | Tapschroef 4X18 P |
| 008 | 140F99-0 | Afdekkap DGA701 |
| 008C10 | 213A05-9 | O-ring 16 SP001G |
| 008C20 | 818H07-8 | Label DGA701 |
| 009 | 632P49-4 | Aansluitunit TD001G |
| 010 | 451328-3 | Afdekkap Voor Knop Kp0800 |
| 011 | 252313-7 | Moer M10 KP001G |
| 012 | 413F22-1 | Knop KP001G |
| 013 | 232185-6 | Bladveer |
| 014 | 347970-5 | Nokkenplaat KP001G |
| 015 | 266556-5 | Met.Schroef Ck 3X12Mm Hr2300 |
| 016 | 232570-3 | Bladveer DKP181 |
| 017 | 620J01-8 | Controller KP001G |
| 017C10 | 688163-8 | Lijn Filter Bfs441 |
| 018 | 266041-8 | Tapschroef 5X25 A |
| 019 | 267012-8 | Sluistring 5 Kp0810/C |
| 020 | 266041-8 | Tapschroef 5X25 A |
| 021 | 253194-2 | Sluistring 5 |
| 022 | 233521-9 | Torsieveer Kp0810/C |
| 023 | 345765-0 | Beschermkap Kp0810/C |
| 024 | 158184-9 | Beitelwalshouder Kp0810/C |
| 025 | 253758-2 | Sluistring 10 A |
| 026 | 210057-5 | Kogellager 6900Lib A |
| 027 | 961006-2 | Borgring S-10 EBH341L P |
| 028 | 136606-9 | Hoofdframe KP001G |
| 028C10 | 263005-3 | Rubber Pen 6 AC320H P |
| 029 | 264002-2 | Moer M5 Bjr181 |
| 030 | 265A77-0 | Tapschroef 3x10mm DKP181 |
| 031 | 629B15-6 | Veld KP001G |
| 032 | 265679-6 | Tapschroef 4x40mm DKP181 |
| 033 | 459891-0 | Afdekplaat DKP181 |
| 034 | 210034-7 | Kogellager 607Lib P |
| 035 | 519742-0 | Anker KP001G |
| 036 | 211087-9 | Kogellager 6200Dw |
| 037 | 158156-4 | Beitelwals Cpl Kp0810/C |
| 038 | A-82921 | HM schaafbeitels 82mm |
| 039 | 343433-9 | Wisselbeitelhouder 82mm |
| 040 | 345644-2 | INTELPLAAT 1100 P |
| 041 | 251246-3 | SCHROEF 4X5 P |

| Nr. | Part nr. | Name |
|--------|----------|-------------------------------|
| 042 | 187676-1 | Beitelklempaatset 2Stk 1100 A |
| 043 | 251609-3 | Flensbout M6X17 |
| 044 | 251291-8 | Schroef M4X8 |
| 045 | 211087-9 | Kogellager 6200Dw |
| 046 | 141J58-1 | Houder cpl KP001G |
| 046C10 | 263002-9 | Rubber Pen 4 6413 A |
| 047 | 265995-6 | Tapschroef 4X18 P |
| 048 | 222193-5 | Poelie DKP181 |
| 049 | 222194-3 | Poelie DKP181 |
| 050 | 225071-8 | V-Snaar 4-241 1900B 1901/2 A |
| 051 | 459893-6 | Aandrijfhuisdeksel DKP181 |
| 052 | 911133-5 | Schroef 4X18 |
| 053 | 231004-3 | Drukveer 18 |
| 054 | 422531-3 | Pakking DKP181 |
| 055 | 312C78-2 | Voorzool KP001G |
| 056 | 312D13-6 | Basisframe KP001G |
| 057 | 413L64-1 | Voet KP001G |
| 058 | 231698-4 | Torsieveer 7 Kp0810/C |
| 059 | 265995-6 | Tapschroef 4X18 P |
| 060 | 459892-8 | Spaanzakadapter DKP181 |
| 061 | 125353-7 | Kanaalstop Kp0810/C |
| 062 | 231433-0 | Drukveer 4Mm |
| 063 | 8117C3-0 | Label serienr KP001G |
| 064 | 8117B6-7 | Naamplaat KP001G |
| 065 | 688162-0 | Lijn Filter Ub1103 |
| 066 | 240079-1 | Waaier 62 Kp0810/C |

МАГАЗИН МАЙСТОРА
 БАШ МАЙСТОРА
 ПРОФЕССИОНАЛНИ РЕШЕНИЯ

