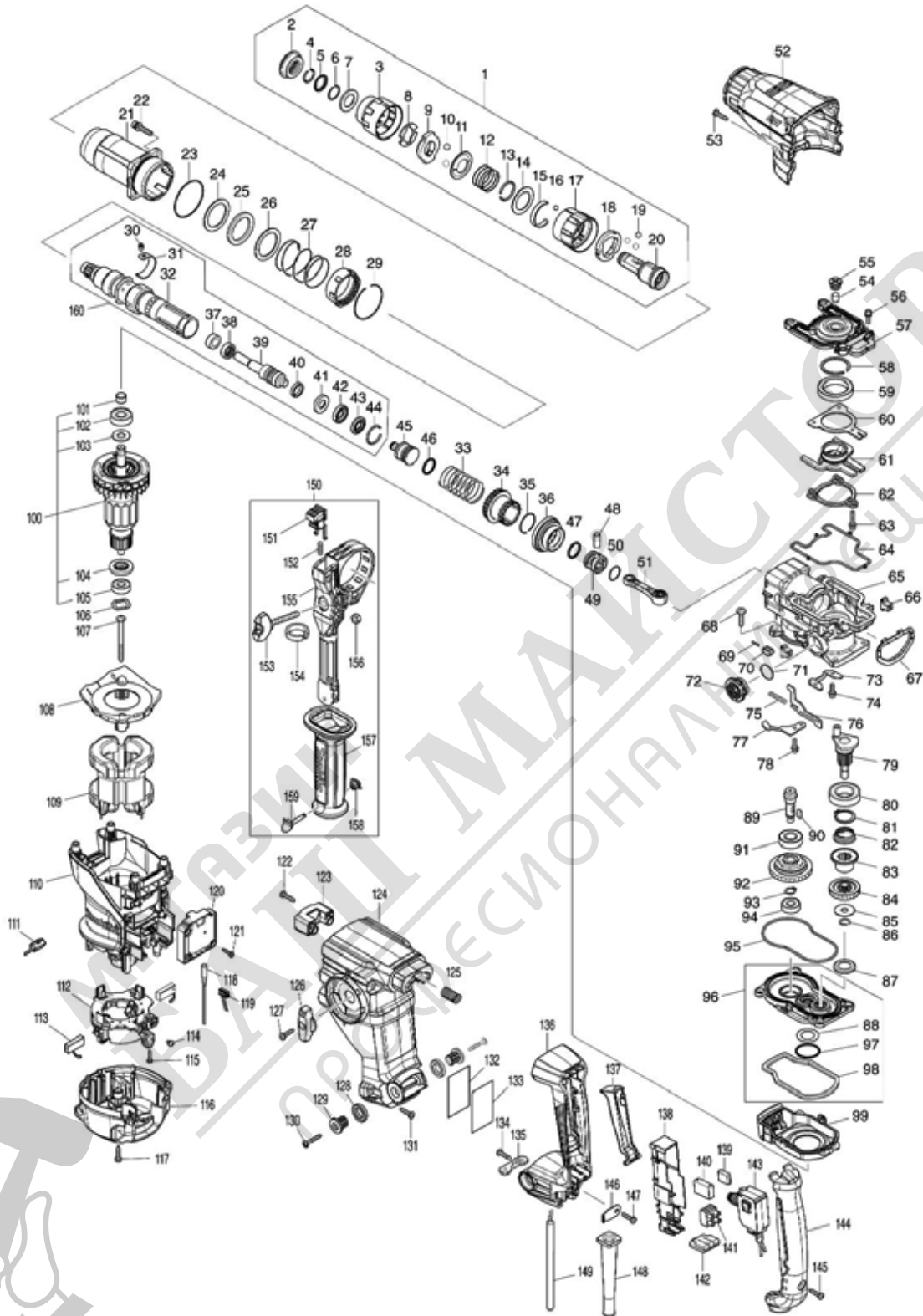


Model No.HR3012FC 30MM COMBINATION HAMMER



Nr.	Part nr.	Name
001	286288-8	Rubber Stofkap 35 Hr2300
002	459685-3	Boorkopkap HR3001/11C
003	233989-9	Veerring 14 Hr2300
004	346834-0	Sluitrevet 16Mm Hr2631F
005	233992-0	Borgveer 15 Hr2300
006	327269-4	Ring 17 HR3001/11
007	216022-2	Stalen Kogel 7.0 Hr2400
008	347553-1	Geleiderevet HR3011FC P
009	232503-8	Drukveer 21-34 HR3001/11
021	140J35-0	Cilinderhuis HR3001/11C
021-C10	213636-8	Keerring (Olie) 25 Hr2460
022	266793-1	Inbusschr M5x25mm HR3011FC
023	213620-3	O-Ring 46
024	267354-0	Revet 31 Hr2811C
025	422493-5	Rubber ring 31 HR3001/11C
026	267354-0	Revet 31 Hr2811C
027	232496-9	Drukveer 37 HR3001/11
028	419986-1	Blokkeerbus Hr2811
029	233952-2	Veerring 41 Hr2811
030	256598-7	Kraagpin 4 HR3011FC
031	347501-0	Bladveer HR3011FC
032	327277-5	Boor-beitelhouder HR3011FC
033	232497-7	Drukveer 27 HR3001/11
034	327276-7	Geleidebus HR3001/11
035	232501-2	Borgveer 24 HR3001/11
036	226868-8	Tandwiel 31 A HR3001/11
037	327515-5	Bus 11 HR3011FC
038	327516-3	Ring 11 HR3011FC
039	140S89-1	Slagbout A HR3011FC
040	213880-7	Pakkingring 12 HR3011FC
041	327268-6	Ring 11 HR3011FC
042	424267-0	Stootring 12 Hr2300
043	327271-7	Sluitring 11 HR3011FC
044	231987-7	Veerring 21 Hk0500
045	327266-0	Slagstuk HR3001/11
046	213881-5	O-ring 16 HR3001/11
047	213881-5	O-ring 16 HR3001/11
048	268122-4	Pin 7 HR3001/11
049	319807-6	Zuiger HR3001/11
050	213226-7	O-Ring 16 Bhr240
051	140J36-8	Drijfstang HR3001/11
052	459167-5	Cilinderkap HR3011/12
053	266326-2	Tap Schroef 4X18mm P
054	443153-6	Dempingsvilt Hr2300
055	459180-3	Filterkap HR3001/11
056	922123-3	Zeskantbout Dcs230T

Nr.	Part nr.	Name
057	319802-6	Krukaskap HR3011/12
058	961140-8	Borgring Hr2811
059	211423-9	Kogellager 6806Ddw A
060	347500-2	Lagerborgring B HR3001/11
061	140J31-8	Balansgewicht HR3001/11
062	310927-9	Balanshouder HR3001/11
063	266948-8	Inbusbout M4X20Mm
064	459182-9	Pakkingring B HR3001/11
065	140J33-4	Krukashuis cpl HR3001/11
066	455165-7	Montagebus Mt860
067	422492-7	Stootkussen HR3001/11
068	266420-0	Schroef 4X20 Hr2811
068-1	266021-4	Tapschroef 5X20 A
069	232499-3	Drukveer 2 HR3001/11
070	310929-5	Drukplaat HR3001/11
071	213262-3	O-Ring 18
072	459175-6	Koppelplaat HR3001/11
073	347497-5	Lagerborgring A HR3001/11
074	922123-3	Zeskantbout Dcs230T
075	234019-9	Drukveer 4 Hr2811
076	345814-3	Verbindingsplaat Hr4510C
077	347498-3	Geleideplaat HR3001/11
078	922123-3	Zeskantbout Dcs230T
079	140M22-7	Krukas cpl HR3001/11
080	211323-3	Kogellager 6904
081	961060-6	Borgring S-20
082	232498-5	Drukveer 21-26 HR3001/11
083	327273-3	Koppeling HR3001/11
084	226869-6	Tandwiel 31 B HR3001/11
085	267353-2	Revet 29 Hr2811C
086	961034-7	Borgring Hr2811
087	345818-5	Schotelring 16 Hr2811
088	253749-3	Sluitring 16 *
089	226867-0	Tandwiel 8 HR3001/11
090	254239-9	Inlegspie 4 Hr4013C
091	211131-2	Kogellager 6001Dw
092	125386-2	Koppelbegrenzer Hr2811
093	961006-2	Borgring S-10 EBH341L P
094	210005-4	Kogellager 608Ddw A
095	459181-1	Pakkingring A HR3001/11
096	136330-4	Tandwielhuis HR3011/12
097	213445-5	O-Ring 26 P
098	459183-7	Sponsrubber HR3011FC
099	140J32-6	Luchtinlaat HR3001/12
100	515448-8	Anker HR3011/12
101	331775-3	Bus 10 Hr2811

Nr.	Part nr.	Name
102	211097-6	Kogellager 6000Lib P
103	253171-4	Sluitring 10 Bst220/Hr2811
104	681644-1	Isolatie ring
105	210005-4	Kogellager 608Ddw A
106	267804-5	Borgring 15 DLS211Z P
107	266329-6	Tapschroef 5x60 HS7601 P
108	459172-2	Tussenplaat HR3001/11
109	621899-6	Veld HR3001
110	459158-6	Motorhuis HR3011/12
111	620C43-0	Ledcircuit HR3001/11
112	632N59-9	Koolborstelhouder HR3001/11
113	197245-0	Koolborstel CB351 HR3011FC
114	652044-2	Schroef 3.5X5 *
115	266404-8	Schroef M3X14
116	459169-1	Achterdeksel HR3011/12
117	266326-2	Tap Schroef 4X18mm P
118	632P88-4	Kabelboom HR3011/12
119	632P89-2	Kabelboom HR3011/12
120	620C41-4	Controller HR3011/12
121	266404-8	Schroef M3X14
122	266326-2	Tap Schroef 4X18mm P
123	140M21-9	Handgreepbus HR3001/11
123-C10	263005-3	Rubber Pen 6 AC320H P
124	459161-7	Handgreepbasis HR3011/12
125	232500-4	Drukveer 10 HR3001/11
126	459174-8	Wisselhendel HR3001/11
127	266326-2	Tap Schroef 4X18mm P
128	459184-5	Bufferring HR001G
129	459176-4	Schouderpin 5 HR3001/11
130	266459-3	Tapschroef Pf 5X25
130-1	266041-8	Tapschroef 5X25 A
131	266326-2	Tap Schroef 4X18mm P
132	856V77-3	Naamplaat HR3011FC
133	818U61-0	Label trp HR3011FC #
134	266326-2	Tap Schroef 4X18mm P
135	347502-8	Borgplaat HR3001/11
136	459164-1	Handgreep HR3001/11
137	459177-2	Schakelaarhendel HR3001/11
138	459178-0	Schakelaarhouder HR3001/11
139	646755-9	Aanloopweerstand Tw0350
140	645190-8	Condensator 5704R 0,22Uf A
141	654531-7	Kroonsteen Rp0910
142	424031-9	Buffer HR3001/11
143	651385-3	Schakelaar HR3001/11
144	459166-7	Handgreepkap HR3001/11
145	266326-2	Tap Schroef 4X18mm P

# Partdrawing for HR3012FCJ - Combihamer



Nr.	Part nr.	Name
146	687169-3	Trekontlaster Hp1621
147	266326-2	Tap Schroef 4X18mm P
148	682573-1	Kabeltule 10 Ga9010C A
149	665890-4	Netsnoer 2X1.00 4.0Mtr P
150	126882-3	Zijhandgreep boren/breken
151	144959-2	Blokkeerknop DHR281/283
152	233360-7	Drukveer 4 Hr23/2600
153	265625-9	Vleugelbout M6x50mm
154	422258-5	Sponsrubber DHR281
155	458355-1	Handgreepbasis DHR281/283 P
156	931302-2	Zeskantmoer M6
157	458357-7	Handgreep 36 DHR281/283 P
158	422255-1	Afdekkap handgrp DHR281/283
159	161838-9	Montagepin h-gr DHR281/283
160	136305-3	Boor/beitelhouder assy HR3001
160-1	136312-6	Boor/beitelhouder HR3011/12

МАГАЗИН МАЙСТОРА  
БАШ МАЙСТОРА  
ПРОФЕСИОНАЛНИ РЕШЕНИЯ

