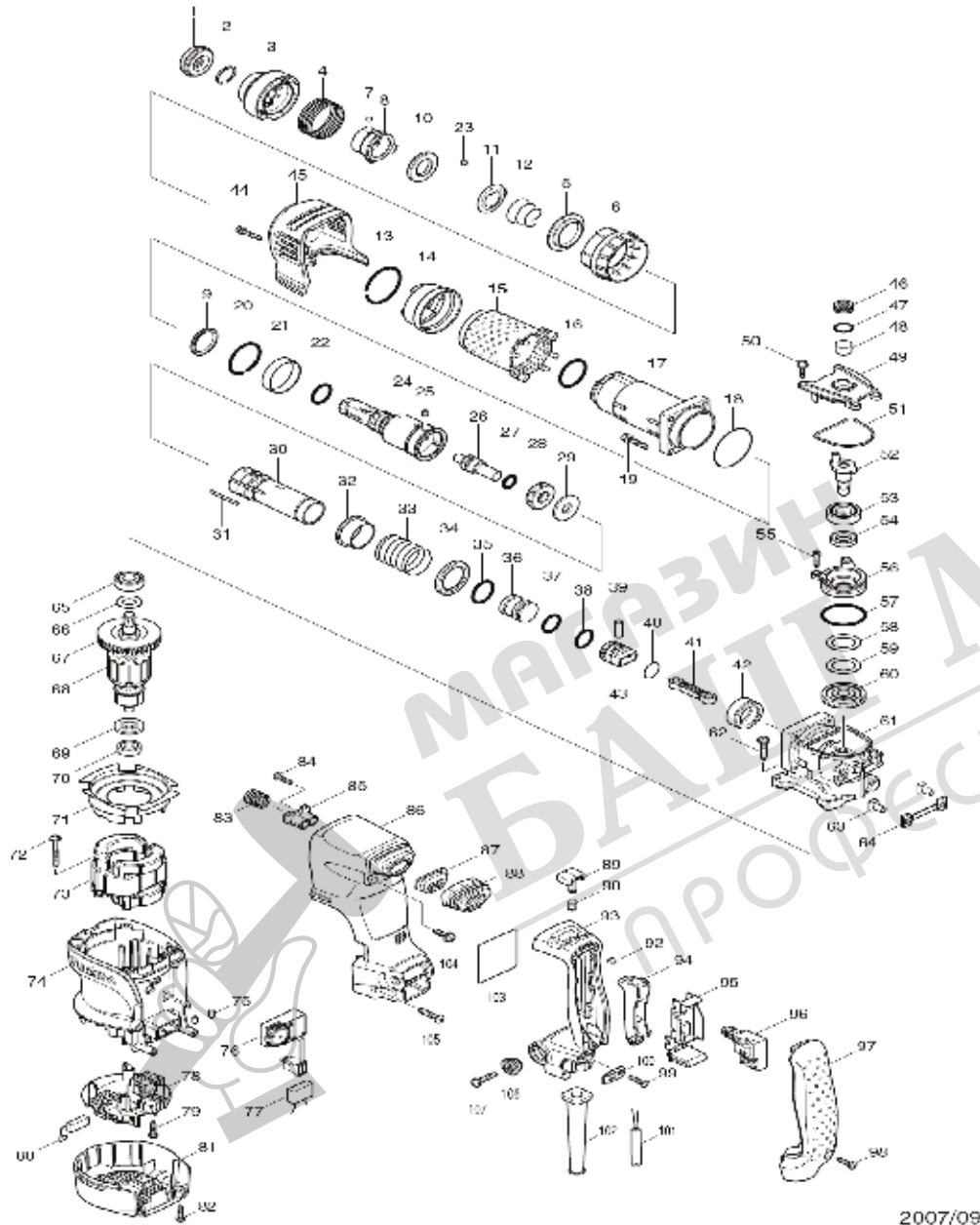


# HK1820



2007/09  
HK1820

POS No.	Parts No.	Description	Used Qty	PC./Set	Qty	Note
001	286283-8	CAP 38		1 PC.	1	
002	233966-1	RING SPRING 19		1 PC.	1	
003	450275-5	CHUCK COVER		1 PC.	1	
004	234039-3	COMPRESSION SPRING 42		1 PC.	1	
005	345874-5	STEEL BALL GUIDE		1 PC.	1	
006	450274-7	CHANGE RING		1 PC.	1	
007	216002-8P	STEEL BALL 4.8		3 SE/10	1	
008	331796-5	RING 25		1 PC.	1	
009	262142-0	URETHAN RING 26		1 PC.	1	
010	257288-5	RING 21		1 PC.	1	
011	345873-7	GUIDE WASHER		1 PC.	1	
012	233916-6	CONICAL COMP. SPRING 21-29		1 PC.	1	
013	231985-1	RING SPRING 43		1 PC.	1	
014	450273-9	BARREL COVER SUPPORT		1 PC.	1	
015	424066-0	BARREL COVER		1 PC.	1	
016	213465-9	O RING 31		1 PC.	1	
017	318196-6	BARREL		1 PC.	1	
018	213606-7	O RING 48		1 PC.	1	
019	922243-3P	HEX. SOCKET HEAD BOLT M5X25		4 SE/5	1	
020	233956-4	RING SPRING 37		1 PC.	1	
021	257290-8	RING 39		1 PC.	1	
022	213008-7	O RING 22.4		1 PC.	1	
023	216022-2P	STEEL BALL 7.0		2 SE/10	1	
024	324837-4	TOOL HOLDER		1 PC.	1	
025	256266-2	PIN 6		3 PC.	1	
026	324844-7	IMPACT BOLT		1 PC.	1	
027	213128-7	O RING 12		1 PC.	1	
028	424065-2	RUBBER RING 13		1 PC.	1	
029	267363-9	FLAT WASHER 12		1 PC.	1	
030	331804-2	CYLINDER		1 PC.	1	
031	256833-3	ROD 3		3 PC.	1	
032	331799-9	RING 29		1 PC.	1	
033	234041-6	COMPRESSION SPRING 32		1 PC.	1	
034	345872-9	CUP WASHER 29		1 PC.	1	
035	213435-8	O RING 26		1 PC.	1	
036	324847-1	STRIKER		1 PC.	1	
037	213283-5	O-RING 18		1 PC.	1	
038	213283-5	O-RING 18		1 PC.	1	
039	256087-2	PIN 7		1 PC.	1	
040	213262-3	O RING 18		1 PC.	1	
041	450278-9	CONNECTING ROD		1 PC.	1	
042	331797-3	SLEEVE 29		1 PC.	1	
043	450298-3	PISTON		1 PC.	1	
044	922148-7	HEX. SOCKET HEAD BOLT M4X25		1 PC.	1	
045	450277-1	CRANK HOUSING COVER		1 PC.	1	
046	419988-7	FILTER CAP		1 PC.	1	
047	213218-6	O RING 16		1 PC.	1	
048	443129-3	FILTER		1 PC.	1	
049	450276-3	CRANK CAP		1 PC.	1	
050	911133-5P	PAN HEAD SCREW M4X18		4 SE/10	1	
051	424067-8	SEAL RING		1 PC.	1	
052	324845-5	CRANK SHAFT		1 PC.	1	
053	211232-6	BALL BEARING 6002LLU		1 PC.	1	
054	213219-4	OIL SEAL 15		1 PC.	1	
055	265490-6P	HEX. SOCKET HEAD BOLT M4X16		2 SE/10	1	
056	318202-7	BEARING BOX		1 PC.	1	
057	213513-4	O RING 39		1 PC.	1	
058	267126-3P	FLAT WASHER 22		1 SE/5	1	
059	267126-3P	FLAT WASHER 22		1 SE/5	1	
060	226675-9	HELICAL GEAR 36		1 PC.	1	
061	158523-3	CRANK HOUSING COMPLETE		1 PC.	1	