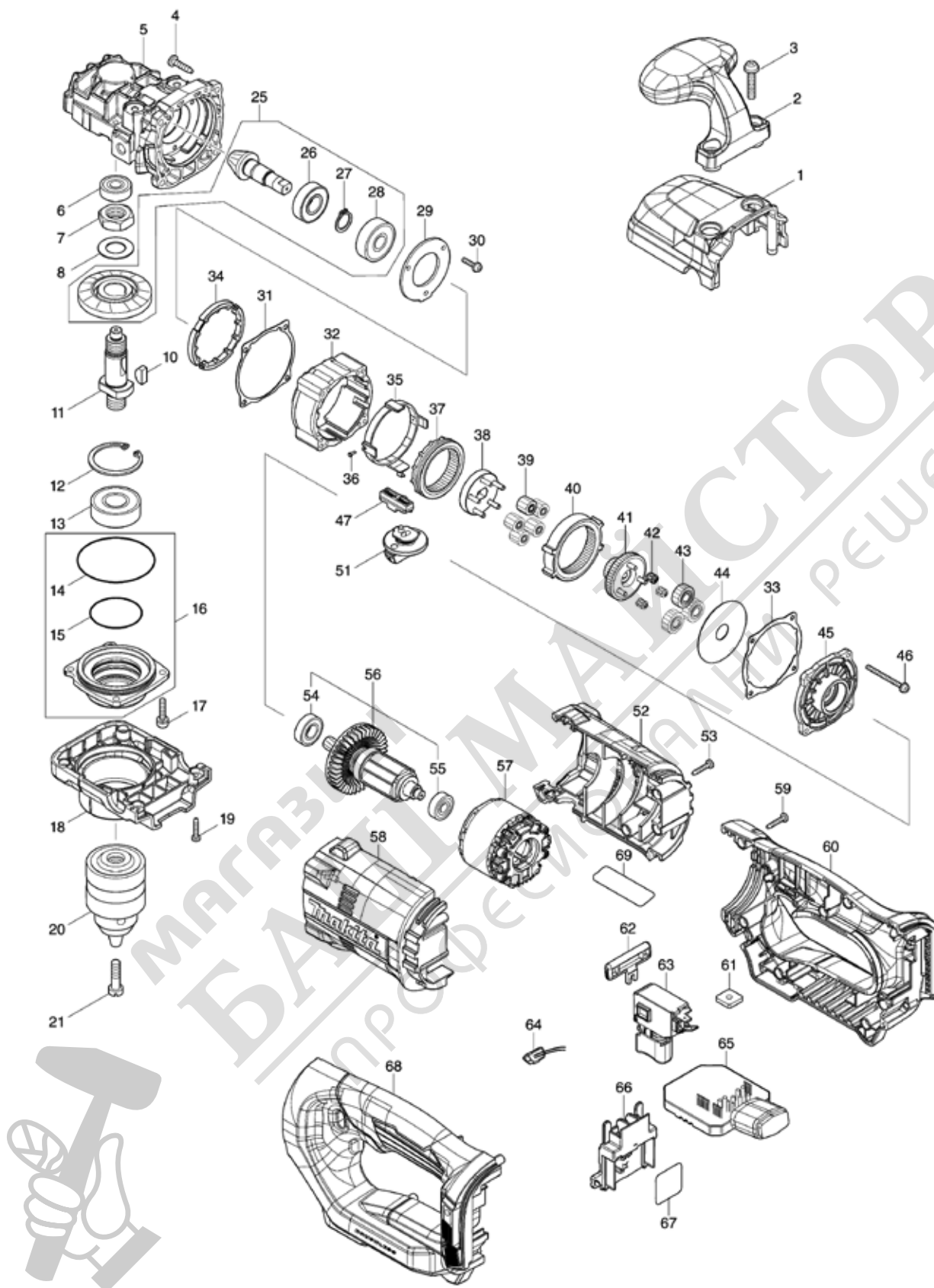


Model No.DDA450 13MM CORDLESS ANGLE DRILL



Item	Sub	Parts_No.	Parts_Description	Qty
001		183S72-5	COVER SET	1
001	D10		INC. 18	
002		413433-4	FRONT HANDLE	1
003		911243-8	PAN HEAD SCREW M5X25	2
004		266326-2	TAPPING SCREW 4X18	4
005		312B07-9	GEAR HOUSING	1
006		211032-4	BALL BEARING 608ZZ	1
007		252299-5	HEX. NUT M14	1
008		253536-0	FLAT WASHER 14	1
010		254032-1	WOODRUFF KEY 5	1
011		327774-1	SPINDLE	1
012		962153-2	RETAINING RING R-35	1
013		211228-7	BALL BEARING 6202DDW	1
014		213656-2	O RING 53	1
015		213A04-1	O RING 35	1
016		136450-4	BEARING BOX ASSY	1
016	D10		INC. 14,15	
017		911126-2	PAN HEAD SCREW M4X16	4
018		183S72-5	COVER SET	1
018	D10		INC. 1	
019		266130-9	TAPPING SCREW BIND PT 3X16	4
020		763183-4	DRILL CHUCK S13	1
021		251425-3	- FLAT HEAD SCREW M6X22	1
025		136451-2	SPIRAL BEVEL GEAR ASSY	1
025	D10		INC. 26-28	
026		211131-2	BALL BEARING 6001DDW	1
027		961052-5	RETAINING RING S-12	1
028		211067-5	BALL BEARING 6200ZZ	1
029		285044-3	BEARING RETAINER 48	1
030		911018-5	PAN HEAD SCREW M3X12	3
031		422683-0	GASKET A	1
032		413437-6	GEAR CASE	1
033		422684-8	GASKET B	1
034		313367-0	SPEED CHANGE CAM	1
035		413439-2	SPEED CHANGE RING	1
036		256952-5	PIN 1.4	2
037		227881-9	INTERNAL SPUR GEAR 48	1
038		141A18-9	CARRIER COMPLETE	1
039		227880-1	SPUR GEAR 13	5
040		227878-8	INTERNAL SPUR GEAR 62	1
041		141A17-1	SPUR GEAR 22-48 COMPLETE	1
042		212131-5	NEEDLE CAGE 307	3
043		227877-0	SPUR GEAR 25	3
044		253493-2	FLAT WASHER 12	1
045		413438-4	MOTOR BRACKET	1

046		911063-0	PAN HEAD SCREW M3X35	4
047		127066-6	CHANGE LEVER ASSEMBLY	1
047	C10	232518-5	COMPRESSION SPRING 4	2
051		127282-0	SPEED CHANGE LEVER ASSEMBLY	1
051	C10	213118-0	O RING 12	1
052		183S73-3	MOTOR HOUSING SET	1
052	D10		INC. 58	
053		266130-9	TAPPING SCREW BIND PT 3X16	6
054		210069-8	BALL BEARING 6900DDW	1
055		211022-7	BALL BEARING 607ZZ	1
056		519688-0	ROTOR ASSY	1
056	D10		INC. 54,55	
057		629A60-5	STATOR	1
058		183S73-3	MOTOR HOUSING SET	1
058	D10		INC. 52	
059		266130-9	TAPPING SCREW BIND PT 3X16	9
060		183S70-9	HANDLE SET	1
060	C10	263005-3	RUBBER PIN 6	2
060	C20	252126-6	HEX. LOCK NUT M4-7	1
060	D10		INC. 68	
061		264002-2	SQUARE NUT M5	2
062		419250-0	F/R CHANGE LEVER	1
063		650710-5	SWITCH C3JW-4B	1
064		620839-1	LED CIRCUIT	1
065		620F07-2	CONTROLLER	1
066		643874-2	TERMINAL	1
067		811E86-7	DDA450 SERIAL NO. LABEL	1
068		183S70-9	HANDLE SET	1
068	C10	263005-3	RUBBER PIN 6	2
068	C20	252126-6	HEX. LOCK NUT M4-7	1
068	D10		INC. 60	
069		811E79-4	DDA450 NAME PLATE	1
A01		158237-4	GRIP 36 COMPLETE	1
A02		251314-2	+ SCREW M4X12	1
A03		413434-2	KEY HOLDER	1
A04		763259-7	CHUCK KEY S13	1
A05		8033B2-5	DDA450ZK PLASTIC CASE LABEL	2
A06		821856-6	PLASTIC CASE	1
A06	C10	162315-4	LATCH	2
A10		127778-1	HOOK ASSEMBLY	1
A11		911211-1	PAN HEAD SCREW M5X12	2