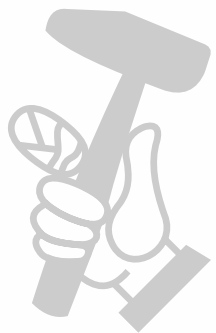
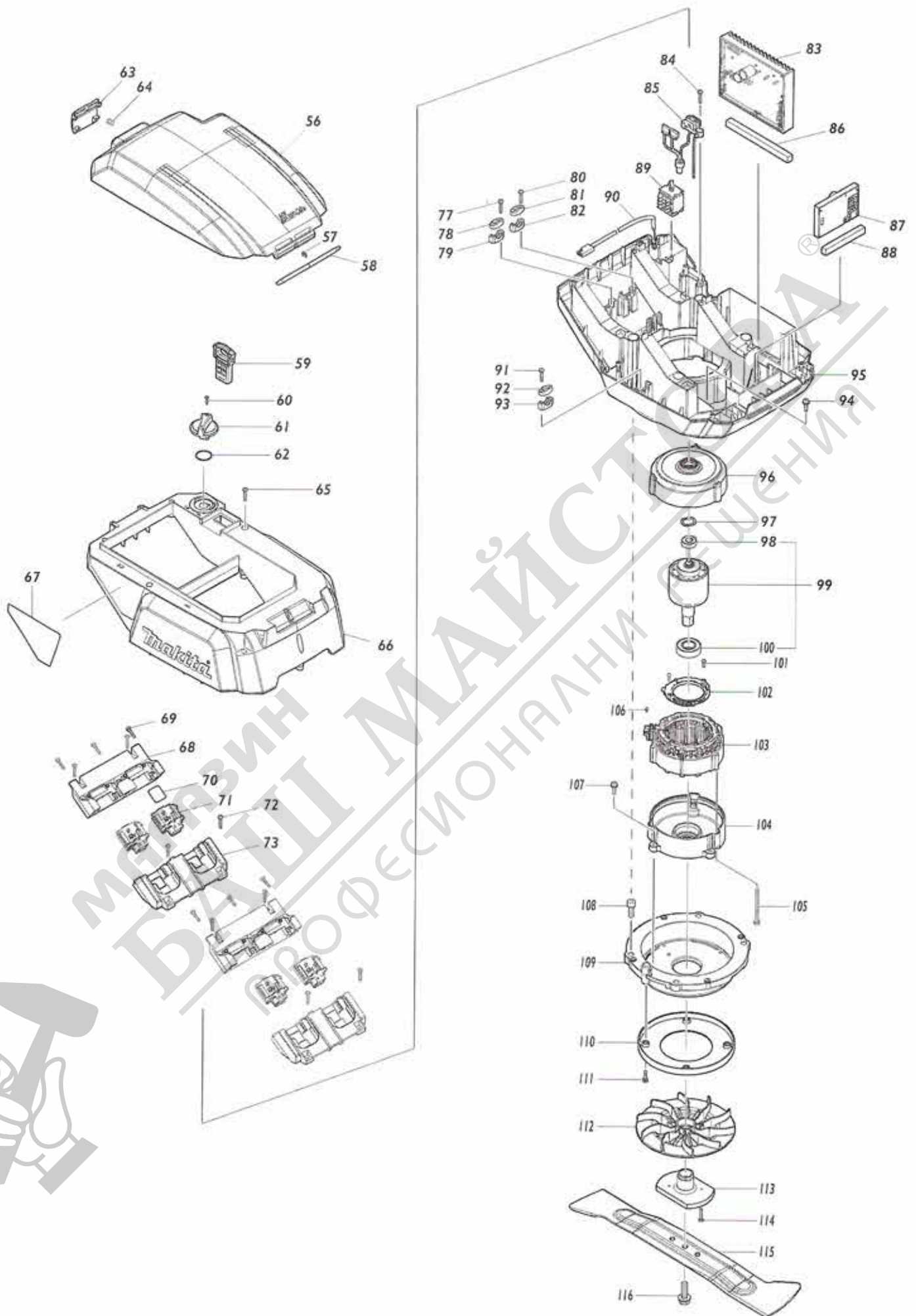
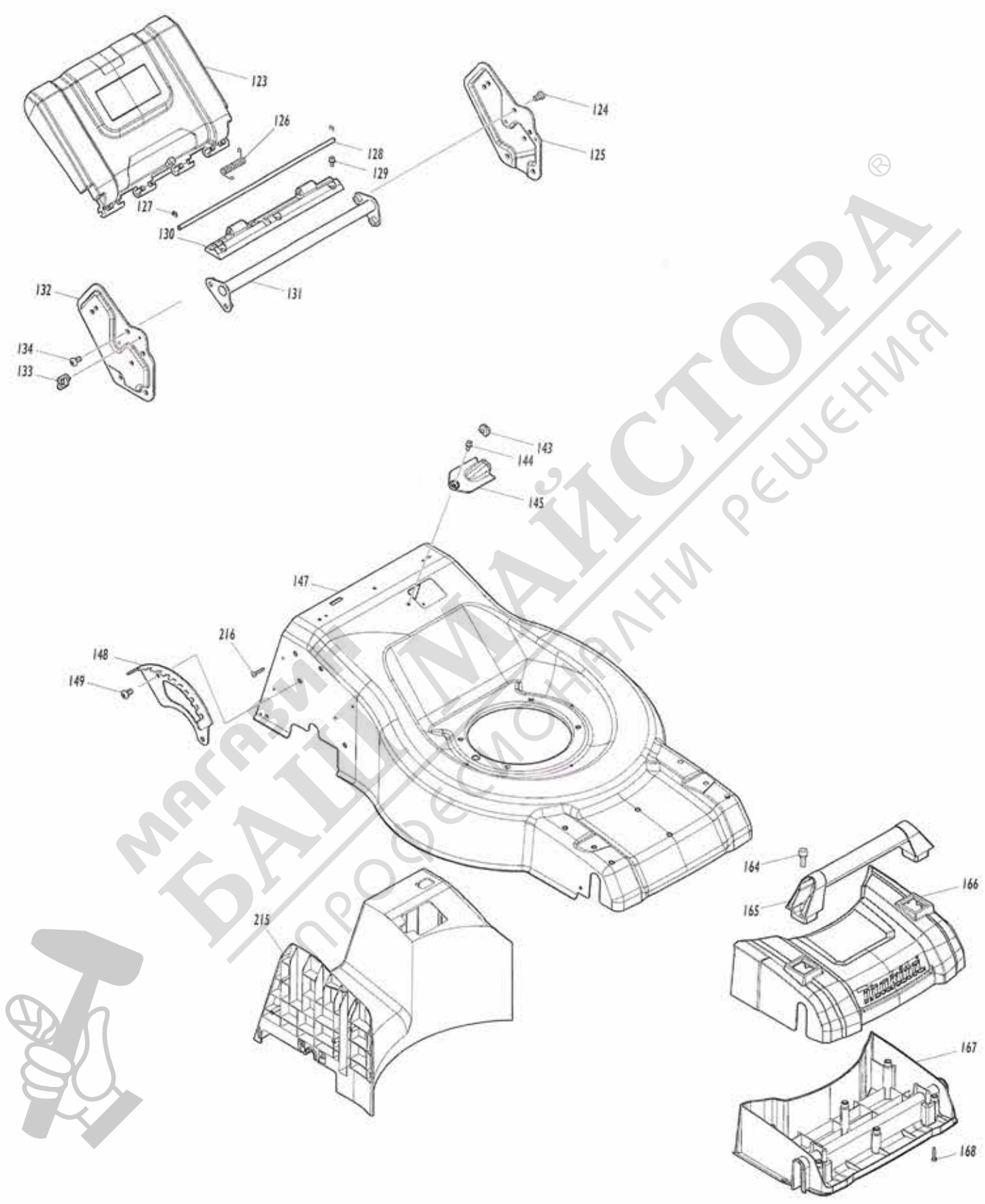
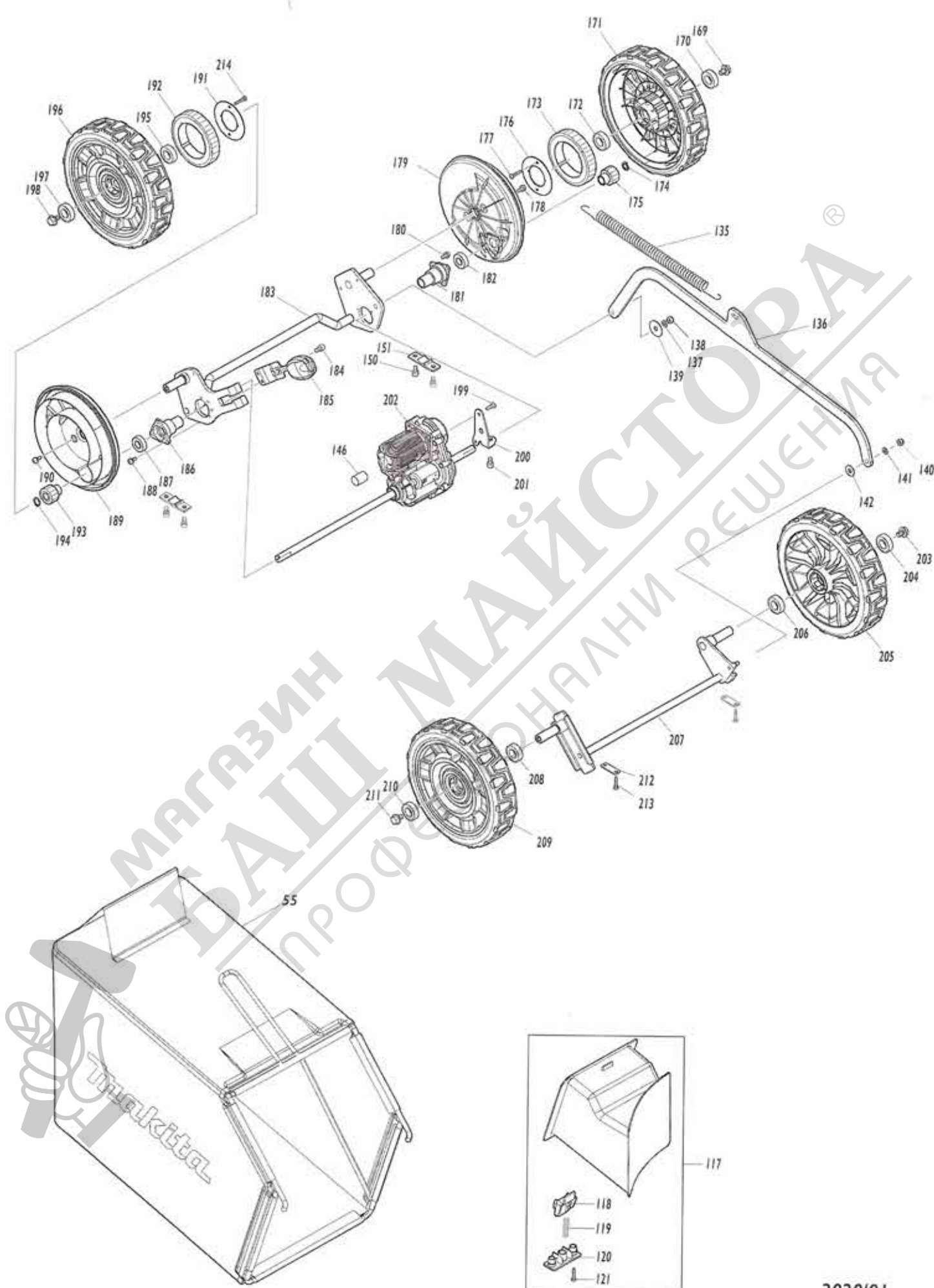


2020/01
DLM462 1/4







2020/01
DLM462 4/4

POS. NO.	PART NO.	DESCRIPTION	USED QTY	PC/SET	NOTE
1	327425-6	DRIVING LEVER	1	PC.	
2	459859-6	DRIVING LEVER HOLDER	1	PC.	
3	232566-4	TORSION SPRING 12	1	PC.	
4	911138-5	PAN HEAD SCREW M4X20	1	PC.	
5	459864-3	DRIVING LEVER SUPPORT L	1	PC.	
6	267136-0	FLAT WASHER 5	1	PC.	
7	266424-2	TAPPING SCREW 4X20	1	PC.	
8	266424-2	TAPPING SCREW 4X20	1	PC.	
9	267136-0	FLAT WASHER 5	1	PC.	
10	459858-8	DRIVING LEVER SUPPORT R	1	PC.	
11	911138-5	PAN HEAD SCREW M4X20	1	PC.	
12	459859-6	DRIVING LEVER HOLDER	1	PC.	
13	266424-2	TAPPING SCREW 4X20	6	PC.	
14	183N90-3	SWITCH BOX SET	1	SET	
14 D10		INC. 26	0		
15	140F09-7	SWITCH CIRCUIT COMPLETE	1	PC.	
15 C10	810D46-0	SWITCH LABEL	1	PC.	
16	140F10-2	SWITCH CIRCUIT COMPLETE	1	PC.	
16 C10	818A74-1	SWITCH LABEL	1	PC.	
17	232575-3	TORSION SPRING 12	1	PC.	
18	266424-2	TAPPING SCREW 4X20	2	PC.	
19	687124-5	STRAIN RELIEF	1	PC.	
20	459860-1	SWITCH BOX	1	PC.	
21	620C48-0	INDICATION CIRCUIT COMPLETE	1	PC.	
21 C10	8007C8-5	INDICATION LABEL	1		
22	620415-1	SUB CONTROLLER	1	PC.	
23	651083-9	SWITCH C3XA-1PSPM	1	PC.	
24	459866-9	SPEED LEVER HOLDER	1	PC.	
25	213897-0	O-RING 26	1	PC.	
26	183N90-3	SWITCH BOX SET	1	SET	
26 D10		INC. 14	0		
27	266424-2	TAPPING SCREW 4X20	5	PC.	
28	459865-1	SPEED LEVER	1	PC.	
29	266424-2	TAPPING SCREW 4X20	1	PC.	
30	911138-5	PAN HEAD SCREW M4X20	1	PC.	
31	459863-5	SWITCH LEVER SUPPORT L	1	PC.	
31 C10	931102-0	HEX. NUT M4	1	PC.	
32	327424-8	SWITCH LEVER	1	PC.	
33	459856-2	SWITCH LEVER SUPPORT R	1	PC.	
33 C10	931102-0	HEX. NUT M4	1	PC.	
34	911138-5	PAN HEAD SCREW M4X20	1	PC.	
35	183P40-0	LEVER BOX SET	1	SET	
35 C10	8007C6-9	INDICATION LABEL	1	PC.	
35 D10		INC. 41	0		
36	459857-0	LOCK OFF BUTTON	1	PC.	
37	231227-3	COMPRESSION SPRING 15	1	PC.	

38		632E26-0	SWITCH UNIT	1	PC.	
39		687124-5	STRAIN RELIEF	1	PC.	
40		266424-2	TAPPING SCREW 4X20	2	PC.	
41		183P40-0	LEVER BOX SET	1	SET	
41	C10	8007C6-9	INDICATION LABEL	1	PC.	
41	D10		INC. 35	0		
42		266424-2	TAPPING SCREW 4X20	6	PC.	
43		699143-9	POWER SUPPLY CORD UNIT	1	PC.	
44		327421-4	HANDLE UPPER	1	PC.	
45		252278-3	HEX. CAP NUT M8	1	PC.	
46		327423-0	HANDLE LOWER	1	PC.	
47		265A62-3	FLAT HEAD BOLT M8X38	1	PC.	
48		265A62-3	FLAT HEAD BOLT M8X38	1	PC.	
49		252278-3	HEX. CAP NUT M8	1	PC.	
50		459905-5	CLAMP	1	PC.	
51		921451-3	HEX. BOLT M8X30	2	PC.	
52		459905-5	CLAMP	1	PC.	
53		921451-3	HEX. BOLT M8X30	2	PC.	
54		699142-1	POWER SUPPLY CORD UNIT	1	PC.	
55		127433-5	GRASS CATCHER ASSEMBLY	1	PC.	
56		140S03-7	BATTERY COVER COMPLETE	1	PC.	
56	C10	890380-0	CAUTION LABEL	1	PC.	
57		961018-5	STOP RING E-5	1	PC.	
58		327536-7	ROD 6	1	PC.	
59		643535-4	KEY	1	PC.	
60		266404-8	TAPPING SCREW BIND 3X14	1	PC.	
61		459851-2	SWITCH LEVER	1	PC.	
62		213896-2	O-RING 24	1	PC.	
63		459852-0	LOCK LEVER	1	PC.	
64		231037-8	COMPRESSION SPRING 7	1	PC.	
65		266424-2	TAPPING SCREW 4X20	7	PC.	
66		459847-3	COWLING UPPER	1	PC.	
67		856P63-8	DLM462 NAME PLATE	1	PC.	
68		183N78-3	TERMINAL HOUSING SET	2	SET	
68	C10	263005-3	RUBBER PIN 6	8	PC.	
68	D10		INC. 73	0		
69		266424-2	TAPPING SCREW 4X20	6	PC.	
70		856P71-9	DLM462 SERIAL NO. LABEL	1	PC.	
71		644809-6	TERMINAL	4	PC.	
72		266424-2	TAPPING SCREW 4X20	8	PC.	
73		183N78-3	TERMINAL HOUSING SET	2	SET	
73	C10	263005-3	RUBBER PIN 6	8	PC.	
73	D10		INC. 68	0		
77		266424-2	TAPPING SCREW 4X20	2	PC.	
78		687124-5	STRAIN RELIEF	1	PC.	
79		687051-6	STRAIN RELIEF	1	PC.	
80		266424-2	TAPPING SCREW 4X20	2	PC.	
81		687124-5	STRAIN RELIEF	1	PC.	

82		687051-6	STRAIN RELIEF	1	PC.	
83		620C44-8	CONTROLLER	1	PC.	
84		266424-2	TAPPING SCREW 4X20	2	PC.	
85		632P74-5	LEAD UNIT	1	PC.	
86		422529-0	SPONGE B	1	PC.	
87		620C47-2	CONTROLLER	1	PC.	
88		422528-2	SPONGE A	1	PC.	
89		651444-3	SWITCH 1703.4703	1	PC.	
90		699145-5	POWER SUPPLY CORD UNIT	1	PC.	
91		266424-2	TAPPING SCREW 4X20	2	PC.	
92		687124-5	STRAIN RELIEF	1	PC.	
93		687051-6	STRAIN RELIEF	1	PC.	
94		911233-1	PAN HEAD SCREW M5X20	4	PC.	
95		459848-1	COWLING LOWER	1	PC.	
96		319869-4	MOTOR HOUSING UPPER	1	PC.	
97		253455-0	WAVE WASHER 19	1	PC.	
98		210141-6	BALL BEARING 6000DDW	1	PC.	
99		519606-8	ROTOR ASS'Y	1		
99	D10		INC. 98,100	0		
100		211387-7	BALL BEARING 6004LLU	1	PC.	
101		265B29-7	TAPPING SCREW PT 2X8	2	PC.	
102		620B88-2	CONTROLLER B	1	PC.	
103		629465-3	STATOR	1	PC.	
104		319870-9	MOTOR HOUSING LOWER	1	PC.	
105		911691-1	PAN HEAD SCREW M5X70	3	PC.	
106		652031-1	PAN HEAD SCREW M3X6	3	PC.	
107		911233-1	PAN HEAD SCREW M5X20	4	PC.	
108		922441-9	HEX. SOCKET HEAD BOLT M8X25	4	PC.	
109		319867-8	MOTOR BRACKET	1	PC.	
110		459853-8	BAFFLE PLATE	1	PC.	
111		911126-2	PAN HEAD SCREW M4X16	4	PC.	
112		240205-2	FAN 170	1	PC.	
113		319882-2	BLADE SUPPORT	1	PC.	
114		266424-2	TAPPING SCREW 4X20	2	PC.	
115		191D51-9	BLADE 460 SET	1	SET	
116		265A69-9	HEX. BOLT M10X35 WITH WG	1	PC.	
117		127515-3	MULCHING PLUG ASSEMBLY	1	PC.	
117	D10		INC. 118-121	0		
118		459884-7	LOCK LEVER	1	PC.	
119		231401-3	COMPRESSION SPRING 7	1	PC.	
120		459885-5	LOCK LEVER SUPPORT	1	PC.	
121		266424-2	TAPPING SCREW 4X20	2	PC.	
123		140R95-0	REAR FLAP COMPLETE	1	PC.	
123	C10	8007P8-6	CAUTION LABEL	1	PC.	
124		265B20-5	HEX.SOCKET BUTTON HEAD BOLT M8	4	PC.	
125		347579-3	HANDLE BRACKET L	1	PC.	
126		233597-6	TORSION SPRING 8	1	PC.	
127		961018-5	STOP RING E-5	2	PC.	

128	327419-1	ROD 6	1	PC.	
129	922213-2	H.S.H.BOLT M5X12 WITH WR	3	PC.	
130	459879-0	REAR FLAP HOLDER PLATE	1	PC.	
131	162693-2	REAR GRIP	1	PC.	
132	347578-5	HANDLE BRACKET R	1	PC.	
133	451825-9	CLAMP	1	PC.	
134	265B20-5	HEX.SOCKET BUTTON HEAD BOLT M8	4	PC.	
135	232628-8	TENSION SPRING 16	1	PC.	
136	347581-6	CONNECTING ROD	1	PC.	
137	941151-9	FLAT WASHER 6	1	PC.	
138	252014-7	HEX. LOCK NUT M6-10	1	PC.	
139	267216-2	FLAT WASHER 8	1	PC.	
140	252014-7	HEX. LOCK NUT M6-10	1	PC.	
141	941151-9	FLAT WASHER 6	1	PC.	
142	253762-1	FLAT WASHER 8	1	PC.	
143	422526-6	GROMMET	1	PC.	
144	922213-2	H.S.H.BOLT M5X12 WITH WR	1	PC.	
145	459880-5	LEAD COVER	1	PC.	
146	683A20-1	POLYOLEFIN TUBE	1	PC.	
147	347560-4	DECK	1	PC.	
148	347582-4	HEIGHT ADJUST PLATE	1	PC.	
149	265B20-5	HEX.SOCKET BUTTON HEAD BOLT M8	2	PC.	
150	922311-2	HEX. SOCKET HEAD BOLT M6X12	4	PC.	
151	313290-9	REAR SHAFT HOLDER COVER	2	PC.	
164	922441-9	HEX. SOCKET HEAD BOLT M8X25	2	PC.	
165	459870-8	FRONT GRIP	1	PC.	
166	459873-2	FRONT COVER	1	PC.	
167	459874-0	DECK UNDER COVER F	1	PC.	
168	266424-2	TAPPING SCREW 4X20	6	PC.	
169	265324-3	HEX. FLANGE HEAD BOLT M8X12	1	PC.	
170	211247-3	BALL BEARING 6002DDW	1	PC.	
171	127513-7	REAR WHEEL ASSEMBLY	1	PC.	
172	211247-3	BALL BEARING 6002DDW	1	PC.	
173	226941-4	SPUR GEAR 49	1	PC.	
174	961052-5	RETAINING RING S-12	1	PC.	
175	226940-6	SPUR GEAR 12	1	PC.	
176	347586-6	GEAR HOLDER PLATE	1	PC.	
177	266424-2	TAPPING SCREW 4X20	2	PC.	
178	911213-7	PAN HEAD SCREW M5X12	2	PC.	
179	459867-7	WHEEL CAP	1	PC.	
180	911213-7	PAN HEAD SCREW M5X12	3	PC.	
181	327426-4	REAR SHAFT HOLDER	1	PC.	
182	210163-6	BALL BEARING 6001DDW	2	PC.	
183	162691-6	REAR SHAFT	1	PC.	
184	922311-2	HEX. SOCKET HEAD BOLT M6X12	2	PC.	
185	162694-0	HEIGHT ADJUST LEVER COMPLETE	1	PC.	
186	327426-4	REAR SHAFT HOLDER	1	PC.	
187	210163-6	BALL BEARING 6001DDW	2	PC.	

188	911213-7	PAN HEAD SCREW M5X12	3	PC.	
189	459867-7	WHEEL CAP	1	PC.	
190	911213-7	PAN HEAD SCREW M5X12	2	PC.	
191	347586-6	GEAR HOLDER PLATE	1	PC.	
192	226941-4	SPUR GEAR 49	1	PC.	
193	226940-6	SPUR GEAR 12	1	PC.	
194	961052-5	RETAINING RING S-12	1	PC.	
195	211247-3	BALL BEARING 6002DDW	1	PC.	
196	127513-7	REAR WHEEL ASSEMBLY	1	PC.	
197	211247-3	BALL BEARING 6002DDW	1	PC.	
198	265324-3	HEX. FLANGE HEAD BOLT M8X12	1	PC.	
199	266388-0	TAPPING SCREW 5X16	2	PC.	
200	347585-8	BRACKET	1	PC.	
201	922311-2	HEX. SOCKET HEAD BOLT M6X12	1	PC.	
202	127509-8	DRIVE UNIT ASSEMBLY	1	PC.	
203	265324-3	HEX. FLANGE HEAD BOLT M8X12	1	PC.	
204	211247-3	BALL BEARING 6002DDW	1	PC.	
205	127514-5	FRONT WHEEL ASSEMBLY	1	PC.	
206	211247-3	BALL BEARING 6002DDW	1	PC.	
207	162690-8	FRONT SHAFT	1	PC.	
208	211247-3	BALL BEARING 6002DDW	1	PC.	
209	127514-5	FRONT WHEEL ASSEMBLY	1	PC.	
210	211247-3	BALL BEARING 6002DDW	1	PC.	
211	265324-3	HEX. FLANGE HEAD BOLT M8X12	1	PC.	
212	341462-6	PLATE	2	PC.	
213	266424-2	TAPPING SCREW 4X20	4	PC.	
214	266424-2	TAPPING SCREW 4X20	2	PC.	
215	459875-8	DECK UNDER COVER R	1	PC.	
216	266424-2	TAPPING SCREW 4X20	10	PC.	
A01	327589-6	ROD 6	1	PC.	
A02	782210-8	SOCKET WRENCH 17	1	PC.	
A03	782212-4	SOCKET WRENCH 13	1	PC.	
A05	***DC18RD	DC18RD TWO PORT FAST CHARGER	1	PC.	
A05	D10	COMPO-PARTS	0		
A06	197280-8	BATTERY BL1850B SET	4	PC.	
E01	800A17-7	SOUND 94DB LABEL	1	PC.	

