



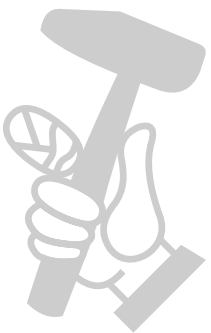
GB

UNITED KINGDOM

Diagram / Parts List

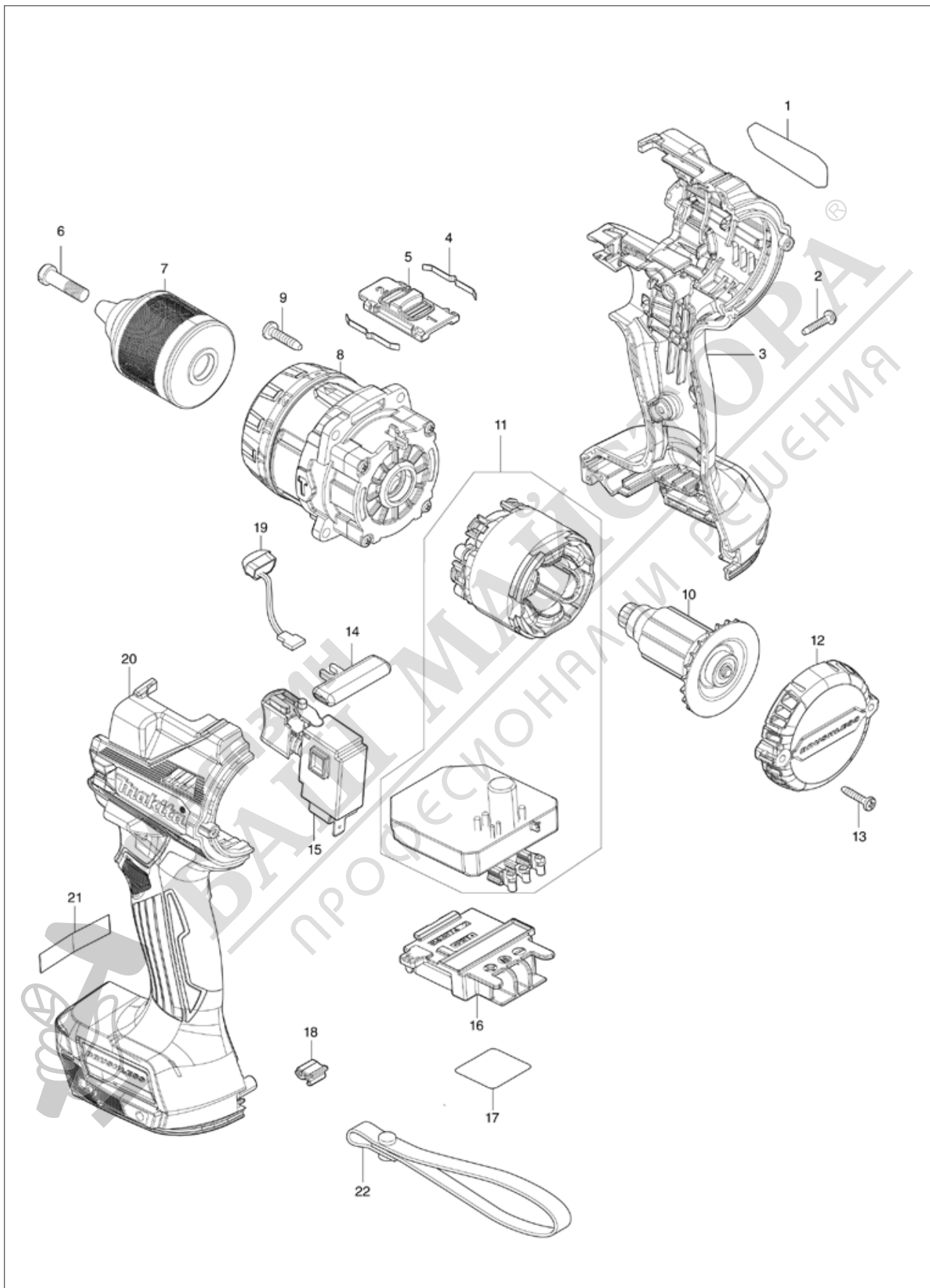
DHP486

CORDLESS HAMMER DRIVER DRILL



МАГАЗИН МАЙСТОРА®
БАШ ПРОФЕСИОНАЛНИ РЕШЕНИЯ

(GB) DHP486 / CORDLESS HAMMER DRIVER DRILL



GB

UNITED KINGDOM

DHP486 / CORDLESS HAMMER DRIVER DRILL

Item	Sub	Parts No.	Parts Description	Qty	I/C	E/C No.	Close No.	Remark
001		811B29-1	DHP486 NAME PLATE	1				
002		266130-9	TAPPING SCREW BIND PT 3X16	7				
003		183R83-4	HOUSING SET	1				
	C10	263005-3	RUBBER PIN 6	2				
	C20	252126-6	HEX. LOCK NUT M4-7	2				
	D10		INC. 20					
004		232220-0	LEAF SPRING	2				
005		127494-5	SPEED CHANGE LEVER ASSEMBLY	1				
	C10	233438-6	COMPRESSION SPRING 4	2				
006		251468-5	- FLAT HEAD SCREW M6X22	1				
007		763252-1	KEYLESS DRILL CHUCK 13	1				
008		127698-9	GEAR ASSEMBLY	1			D8710	
008-1		122A92-6	GEAR ASSEMBLY	1	<	D8710		
009		266326-2	TAPPING SCREW 4X18	4				
010		619656-4	ROTOR	1				
011		629A33-8	STATOR COMPLETE	1				
012		413405-9	REAR COVER	1				
013		266130-9	TAPPING SCREW BIND PT 3X16	2				
014		419041-9	F/R CHANGE LEVER	1				
015		651443-5	SWITCH C3JR-4B	1				
016		643874-2	TERMINAL	1				
017		811B36-4	DHP486 SERIAL NO. LABEL	1				
018		424517-3	CUSHION	1				
019		620549-0	LED CIRCUIT	1				
020		183R83-4	HOUSING SET	1				
	C10	263005-3	RUBBER PIN 6	2				
	C20	252126-6	HEX. LOCK NUT M4-7	2				
	D10		INC. 3					
A01		122576-8	STOPPER POLE ASS'Y	1				
A02		127701-6	GRIP ASSEMBLY	1			DB452	
	C10	140U91-6	POLE COMPLETE	1			DB452	
	C20	140X19-2	ARM R COMPLETE	1			DB452	
	C30	265785-7	THUMB SCREW M5X10	1			DB452	
	C40	266886-4	HEX. BOLT M8X65	1			DB452	
	C50	312A63-3	ARM L	1			DB452	
	C60	931202-6	HEX. NUT M5	1			DB452	
	C70	962055-2	RETAINING RING (INT) R-15	1			DB452	
A02-1		122C01-7	GRIP ASSEMBLY	1	<	DB452		
	C10	140U91-6	POLE COMPLETE	1		DB452		
	C20	140X19-2	ARM R COMPLETE	1		DB452		
	C30	265785-7	THUMB SCREW M5X10	1		DB452		
	C40	266886-4	HEX. BOLT M8X65	1		DB452		
	C50	312C73-2	ARM L	1		DB452		
	C60	931202-6	HEX. NUT M5	1		DB452		
	C70	962055-2	RETAINING RING (INT) R-15	1		DB452		
A03		251314-2	+ SCREW M4X12	2				
A04		346317-0	HOOK	1				
A05		452947-8	BIT HOLDER	1				
A06		784637-8	+/- BIT 2-45	2				
A07B		821550-0	CONNECTOR PLASTIC CASE (TYPE2)	1				
	C10	453974-8	LATCH	4				
A08B		837916-4	INNER TRAY	1				
A09B		8030X6-3	DHP486RTJ INDICATION LABEL	1				
A10B		8030X7-1	DHP486RTJ PLASTIC CASE LABEL	2				
A11B		450128-8	BATTERY COVER	1				
A12B		197280-8	BATTERY BL1850B SET	2				
A13B		***DC18RC	DC18RC FAST CHARGER	1				

B:DHP486RTJ(H)

Interchange

O : Yes

X : No

< : the new part can be substituted for the current.

> : the current part can be substituted for the new.

S : Interchangeable as a set.