

ROTHENBERGER INDUSTRIAL

- DE** Gebrauchsanweisung
- GB** Instructions for use
- FR** Mode d'emploi
- CZ** Návod na použití
- ES** Manual de instrucciones
- HU** Használati utasítás
- IT** Istruzioni per l'uso
- SI** Navodila za uporabo
- SK** Návod na použitie



Art.-Nr.

1500000050, 1500000051

1500000164, 1500000165

1500000166, 1500000167

1500000363, 1500000364

DE

GB

FR

CZ

ES

HU

IT

SI

SK



Introduction



Important: Read these instructions carefully so as to familiarise yourself with the appliance before connecting it to its gas container. Keep these instructions for future reference. Give these instructions to any third person using the appliance.

SYMBOLS USED IN THIS MANUAL



= may only be used outside or in well ventilated rooms



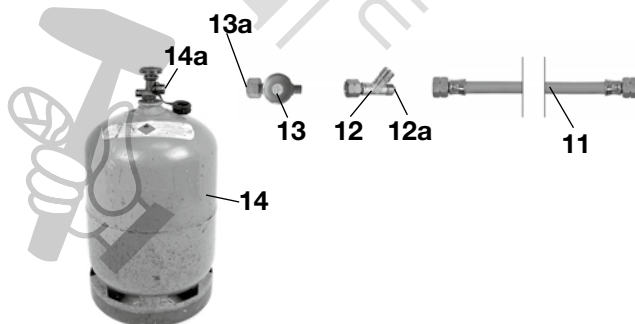
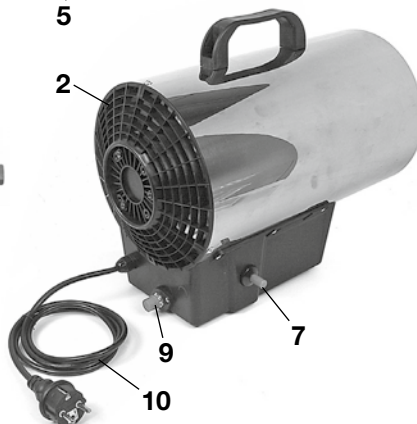
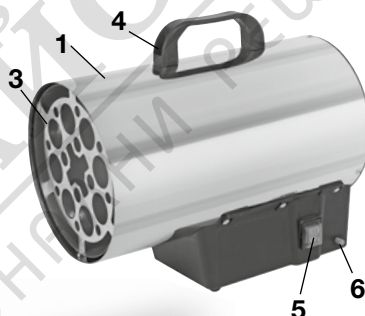
= Caution, hot parts



= Read the operating instructions

FEATURES

1. Housing
2. Motor vent
3. Air vent
4. Handle incl. 2 screws size PH2
5. On- / Off switch
6. Gas feed button
7. Piezo ignition
8. Gas regulating valve (Roturbo 35000 SA only)
9. Gas connection
10. Mains cable
11. Hose (Roturbo 12000 & 19000: G 1/4" left winding; Roturbo 35000 & 35000 SA: G 3/8" left winding)
12. Hose failure safety device (Special accessories, included in Roturbo 35000 & 35000 SA)
- 12a. Pressure release button
13. Pressure regulator (Roturbo 12000 & 19000: 300 mbar; Roturbo 35000 & 35000 SA: 1500 mbar)
- 13a. Integrated seal (not in all versions / countries)
14. LPG refillable cylinder (not included in delivery scope)
- 14a. Integrated seal (not in all versions / countries)



SAFETY INSTRUCTIONS



Since this appliance uses both gas and electricity, it is extremely important to pay close attention to the following safety instructions. Failure to do so can increase the risk of burning, electric shock, fire, suffocation or explosion.

1) Electricity

- Ensure that the rated power indicated on the machine label corresponds with your mains.
- The appliance may only be connected to a correctly installed socket.
- Do not mount the appliance close to water (e.g. swimming pools, garden ponds...).
- Ensure that the cable does not come into contact with sharp objects or hot surfaces.
- If the supply cord is damaged, it must be replaced by manufacturer, its service agent or similarly qualified persons in order to avoid a hazard.
- In case of damage, the appliance should immediately be disconnected from the gas supply and the mains and may not be used.

2) Gas and Air

- CAUTION: RISK OF SUFFOCATION AND / OR CARBON MONOXIDE POISONING. This appliance shall be installed in accordance with the national ventilation regulations in force. It may only be used outside or in well ventilated rooms, and never in a room smaller than 200 m³ (Roturbo 35000 & 35000 SA: 300 m³). A minimum ventilation of 500 cm² (Roturbo 35000 & 35000 SA: 750 cm²) shall be provided.
- THIS APPLIANCE IS NOT TO BE USED FOR THE HEATING OF HABITABLE AREAS OF DOMESTIC PREMISES; FOR USE IN PUBLIC BUILDINGS, REFER TO NATIONAL REGULATIONS.
- The device may not be used underground.
- If the burner is not to be used over longer periods, disconnect it from the gas bottle and keep it in a safe, cool, dry and well-ventilated place out of the reach of children.
- In case of a leak (gas smell), close the cylinder valve immediately and keep the appliance away from sources of ignition. The appliance may not be used until the leak is found and repaired. Never check for leaks using a flame; always use a soapy solution!
- Isolate the appliance from the cylinder by closing the cylinder valve when the appliance is not in use.
- To prevent the risk of damage avoid twisting or tortioning the flexible tubes and hoses. The hose may not be twisted when connected.
- The appliance may only be used with the hose and regulator supplied. Max. allowed hose length = 2 meters. Replacement hoses and regulators can be purchased from the manufacturer. The use of non-certified or altered parts is dangerous and may result in serious injuries.
- Check the gas hose regularly for signs of damage. Damaged gas hoses must be replaced. In case of doubt please contact the manufacturer's customer service.
- Never connect a gas cylinder to the device without first reading the instructions printed on the cylinder.
- Is prohibited to smoke while connecting the gas cylinder.
- Check that seal between the regulator and the gas container are in place and in good condition before connecting to the gas container.
- Never use the device if the seal is damaged or worn. Never use the device if it is not airtight, damaged or does not function properly.

- To prevent the risk of liquefied gas escaping, the gas cylinder may only be used when it is standing upwards.
- Always close the cylinder valve when you leave the appliance unattended and make sure that it cannot be operated by unqualified persons.
- In case of damage, the appliance should immediately be disconnected from the gas supply and the mains and may not be used.
- This turbo fan gas heater is only intended for private use. For industrial use, a hose failure safety device has to be fitted to the appliance. This valve can be purchased from the manufacturer.

3) Heat

- Position the appliance well away from walls, inflammable materials and sources of ignition. Keep at least 2 meters of distance to the front and sides of the appliance. The appliance may not be covered under any circumstances.
- Since the air blown out is extremely hot, persons and animals should not stay directly in front of the appliance. Danger of burns!
- Ensure that no flammable items can come into contact with the appliance, mainly with its openings, e.g. from wind or other natural causes.
- Do not store flammable liquids, paint, gas cylinders etc. near the heater.
- Do not use the appliance in a flammable atmosphere (e.g. close to gas or pressurised containers).
- This appliance becomes very hot when in use. Do not touch any part of the appliance that is hot.
- Allow the appliance to cool down completely before transport, disassembly, cleaning or storage.
- Beware of burning of hoses or mains cables.
- The gas cylinder may not be heated and should never be positioned in front of the heater.
- To prevent the risk of burns, do not touch the appliance after use, even if it has only been in use for a short while. Caution: Accessible parts can be very hot. Keep children away from the device.

4) Further instructions

- Do not leave the appliance unattended.
- Never remove the safety vents or dismantle and / or modify the appliance in any way.
- Always keep all openings (motor vent, air vent, part 2 & 3) free and clear.
- Never try to repair the appliance by yourself. If a repair is necessary, contact the manufacturer's customer service or a similarly qualified person.
- Before cleaning, disconnect the machine from the mains and gas supply and allow it to cool down sufficiently.
- This appliance is not intended for use by persons (including children) with reduced physical, sensory or mental capabilities, or lack of experience and knowledge.
- Keep the device out of the reach of children. Keep children well away from the appliance when in use.



SCOPE OF USE

This appliance is designed for quick heating in large areas, marquees etc. It is not intended for domestic use and it may only be used outside or in well ventilated rooms. Use of the product for any other purpose and / or modification of the product count as misuse and can be highly dangerous and is forbidden.



For industrial use, a hose failure safety device has to be fitted to the appliance. For Roturbo 35000 and 35000 SA, this valve is pre-assembled with the gas pressure regulator. For the other items, it can be purchased from the manufacturer.

This appliance may only be used with propane or with propane-butane mixtures and with a regulator with a constant output pressure of 300 mbar (Roturbo 12000, 19000) respectively 1500 mbar (Roturbo 35000, 35000 SA). This appliance shall only be used with LPG refillable cylinders (different sizes in different countries, e.g. Germany 5 kg, 11 kg or 33 kg). It can be dangerous to connect the burner to other types of gas containers.

Always make sure that the regulator and the hose used for this appliance are certified.

TECHNICAL SPECIFICATIONS



| | Roturbo 12000 | Roturbo 19000 | Roturbo 35000 | Roturbo 35000 SA |
|--|--|---------------|---|------------------|
| Gas category - gas type | I3B/P - propane / butane, I3P - propane | | | |
| Countries of destination (I3B/P or I3P): | AL, AT, BE, BG, CH, CY, CZ, DE, DK, EE, ES, FI, FR, GB, GR, HU, HR, IE, IT, IS, LV, LT, LU, MK, MT, NL, NO, PL, PT, RO, SE, SI, SK, TR | | | |
| Operating pressure | 300 mbar | | 1500 mbar | |
| Injector diametre | 1.0 mm | 1.18 mm | 1.15 mm | |
| Heat input (I3B/P) | 13.3 kW | 18.2 kW | 34.0 kW | 19.0 – 34.0 kW |
| Heat input (I3P) | 11.9 kW | 16.0 kW | 29.0 kW | 17.0 – 29.0 kW |
| Gas consumption | 970 g/h | 1325 g/h | 2460 g/h | 1375 – 2460 g/h |
| Flame temperature: | 930 °C | 980 °C | 1000 °C | |
| Air output | 500 m ³ / h | | 800 m ³ / h | |
| Air delivery temperature classification | 32 K | 48 K | 53 K | |
| Mains Voltage | 230 V~ / 50 Hz | | | |
| Rated power | 39 W | | 65 W | |
| Protection category | IPX4; motor IP44 | | | |
| Insulation class | I | | | |
| Safety features | Overheat protection, safety cut-out | | Overheat protection, safety cut-out, hose failure safety device | |
| <p>The burner may not be used without a constant pressure regulator fitted. This appliance shall only be used with LPG refillable cylinders and only in the open or in well-ventilated rooms. Keep children away from the device!</p> | | | | |
|   Insulation class I | | | | |

INSTALLATION / PREPARING FOR USE



SB

MOUNTING THE HANDLE

Mount the handle onto the gas heater using the screws provided. Use a PH2 phillips[®] screwdriver.

CONNECTING TO A GAS CYLINDER

CAUTION. The appliance may only be used with the hose and regulator supplied.

- Ensure that all valves are closed.
- Check that the seal between the regulator and the gas container are in place and in good condition before connecting to the gas container. Depending on the version / country, the seal may be located in the pressure regulator connection, in the gas cylinder connection or in both connections. In case of doubt, please contact your local gas dealer.
- Check the condition of the hose and regulator each time before using the burner. Do not use a hose or regulator that is damaged or worn.
- Connect the pressure regulator to the gas cylinder. Ensure that the direction of rotation of the thread is correct (there may be differences according to country).
- Install the hose failure safety device, if available.
- Connect the gas hose to the pressure regulator and to the appliance. The hose end connector and the appliance connector have left-handed threads.
- Tighten the connections and the pressure regulator with a suitably sized open-ended wrench (there may be differences according to version / country). Do not exert excessive force to prevent over-tightening or damaging the threads.
- Open the cylinder valve. Ensure that all the connections are tight. Use a leakage detection spray or soapy water for this purpose. The connections may have to be re-tightened.
- Do not use the device if there is a leak in the system.
- Close the cylinder valve after performing the leakage test.

CONNECTING TO THE MAINS

- Ensure that the rated power indicated on the machine label corresponds with your mains before using the machine.
- Connect the appliance to a correctly earthed socket.



OPERATION / USE



- Place the appliance and gas cylinder assembly outdoors on a level and stable surface, well away from any inflammable materials. Pay special attention to the safety instructions above in relation to the scope of use, installation site, risk of fire, using gas appliances etc.
- The gas cylinder may not be heated and should never be positioned in front of the heater.
- Ensure that the appliance is connected to the mains.
- Roturbo 35000 SA: turn the gas regulating valve (8) anti-clockwise to max. position.
- Open the gas cylinder valve by turning the knob anti-clockwise.
- Press the pressure release button of the hose failure safety device (12a), if available.
- Put the On -/ Off-switch (5) into position "I" Ensure that the ventilator is now running. If not, the appliance may not be operated until this fault has been corrected.
- Press and hold the gas feed button (6). At the same time, press the Piezo ignition (7) as often as necessary until the heater is lit. If the heater can't be ignited, wait approx. one minute and repeat the procedure as described above.
- Keep the gas feed button pressed for another 10 seconds.
- Roturbo 35000 SA: Once the flame is established, it can be adjusted as required by turning the gas regulating valve (8).
- Turning off the appliance: close the gas cylinder valve first, allow the appliance to cool down and then turn the ventilator off and disconnect the plug from the mains.



Caution hot! Both the housing and front of the appliance become very hot during use. Avoid contact with these parts when the machine is in use.



Caution! Risk of burning.

- Since the air blown out is extremely hot, persons and animals should not stay directly in front of the appliance.
- As the appliance remains hot for a period of time after use, let it cool down completely before moving or touching it.
- Always disconnect the appliance from the gas and mains when it is not in use.

FUNCTION OF THE SAFETY DEVICES



OVERHEAT PROTECTION

When the appliance is too hot, it will automatically turn itself off. Before trying to use the appliance again, locate and remove the cause of the overheating.

SAFETY CUT-OUT



If the flame extinguishes during use, the gas supply is automatically cut off. Normally, this only happens in starting the appliance as it is still cold. Repeat the ignition procedure and keep the gas feed button pressed for a longer time.

HOSE FAILURE SAFETY DEVICE (SPECIAL ACCESSORIES, INCLUDED IN ROTURBO 35000 & 35000 SA)

If the gas hose bursts, the gas flow is interrupted. The safety device can be reset by pressing the pressure release button.

MAINTENANCE, STORAGE AND CLEANING



Allow the appliance to cool down completely, close the gas valve and disconnect the machine from the mains and gas supply before cleaning, maintenance or storage.

CHANGING THE GAS CYLINDER

- The gas cylinder may be changed only in the open, well away from sources of ignition and other persons.
- Shut the cylinder valve, switch it off and disconnect it from the mains.
- If the appliance was in use, ensure that the flame has completely extinguished and let the appliance cool down completely.
- Unscrew the gas regulator and remove it.
- Proceed as described in the section 'Connecting to a gas cylinder'.

CLEANING

Clean the machine regularly with a dry cloth. Do not use aggressive cleaning agents, solvents or petroleum spirit. Do not dip or spray the appliance in / with water or other liquids. The appliance and mainly its openings should be kept free of dust.

GENERAL MAINTENANCE

- The machine requires very little maintenance.
- Regularly check the seals, hose and mains cable since these can perish and break or obtain other damage.
- Do not modify the appliance in any way.
- If the appliance develops a fault have it repaired by a competent person or contact the manufacturer. See the address at the back of the manual.



STORAGE AND TRANSPORT

- If the burner is not to be used keep it at a safe, cool, dry and well-ventilated place out of the reach of children.
- Protect the gas cylinder from sunlight and never expose it to temperatures above 50°C.
- The gas tank must be detached if the burner is not to be used over longer periods, or if it is to be transported.
- Reusable tanks must always be refilled at authorised companies. Improper refilling can lead to serious accidents.
- In general, all national regulations regarding operation, transportation and storage have to be respected.


TROUBLESHOOTING

| Problem | Possible cause | Troubleshooting |
|---|---|--|
| Appliance cannot be switched on | On/off switch defective | Obtain a replacement switch from our service centre and have these fitted by an authorised person. |
| | No power supply. | Check the plug and the mains socket |
| | Gas valve closed | Open the cylinder valve |
| | Gas cylinder empty | Replace the gas cylinder |
| | Pressure regulator defective | Purchase a replacement pressure regulator from our service center and mount it as described above |
| | Hose failure safety device blocks the gas flow | Press the pressure release button of the hose failure safety device |
| | Roturbo 35000 SA: Gas regulating valve not on max. position | Turn the valve anti-clockwise to max. position. |
| Flame very weak, unsteady, yellow... | Gas cylinder almost empty | Replace the gas cylinder |
| | Pressure regulator defective | Purchase a replacement pressure regulator from our service center and mount it as described above |
| Flame extinguished as soon as the gas feed button is released | Safety cut out has cut off the gas supply | Repeat the ignition procedure and keep the gas feed button pressed for a longer time |

| | | |
|--|---|---|
| Flame extinguishes during use, ventilator keeps on running | Gas cylinder empty Pressure regulator defective | Replace the gas cylinder Purchase a replacement pressure regulator from our service center and mount it as described above |
| The appliance turns itself off during use | Overheat protection device turned off the appliance | Allow the appliance to cool down and identify the cause of the overheating |



RECYCLING

 This symbol indicates that this product may not be disposed of together with domestic waste in compliance with the (2002/96/EC) Regulation pertaining to waste electrical and electronic devices (WEEE). This product must be handed in at a designated collection point. This can occur, for example, by returning it when a similar product is purchased or by handing it in at an authorised collecting point for the recycling of waste electrical and electronic equipment. Owing to potentially hazardous substances that are frequently contained in waste electronic equipment, incorrect handling of waste equipment may have a negative impact on the environment and on the health of human beings. By disposing of this product correctly, you are also contributing towards an efficient use of natural resources. Information on collecting points for waste equipment can be obtained from your local authority, the public waste disposal authority, an authorised institution for the disposal of waste electrical and electronic equipment or the waste collection services.

