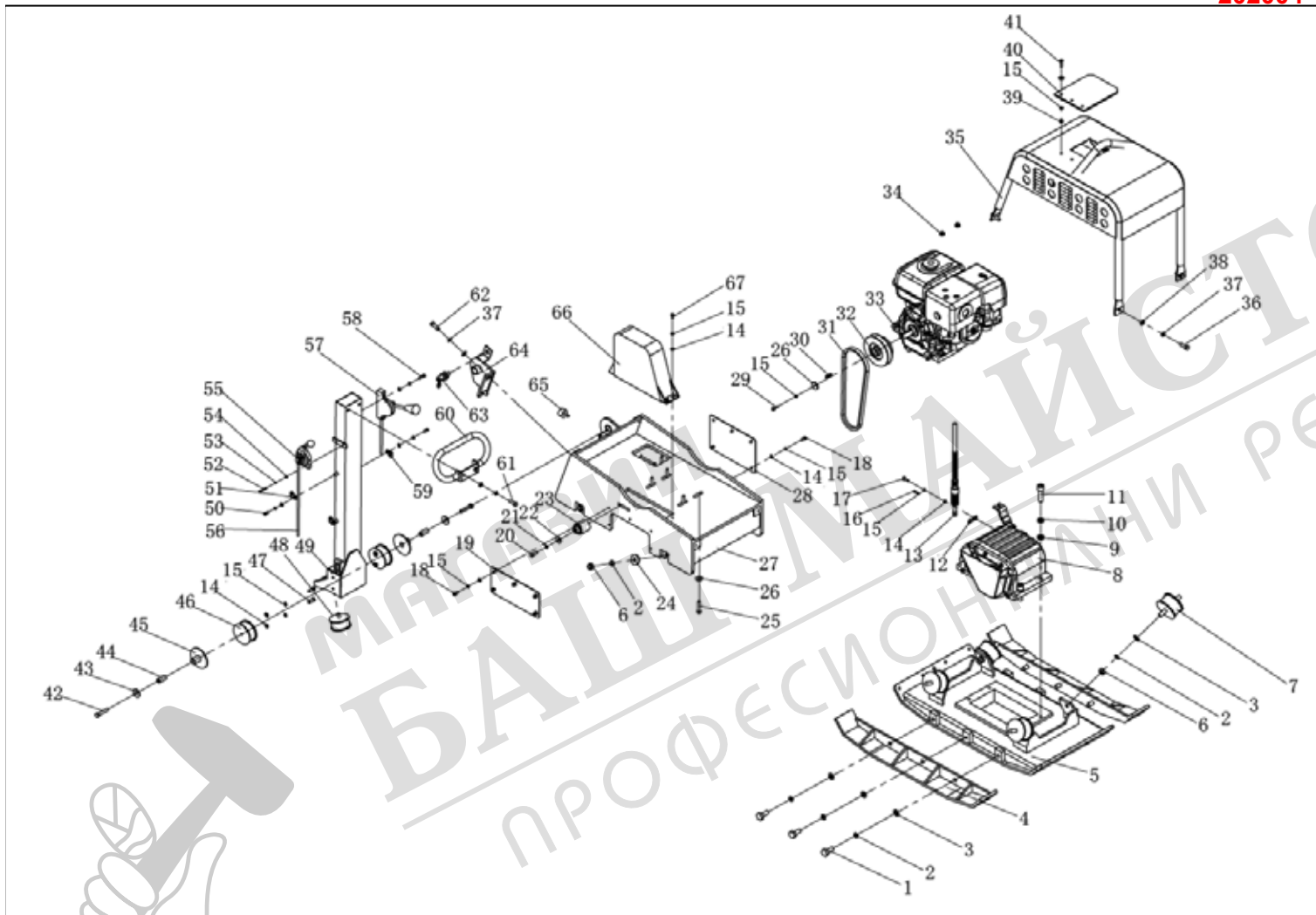


PCR320 PARTS LIST

202004



PARTS NO	ENGLISH DESCRIPTION	QTY
CNP330A001	Hexagonal bolt M16×45	6

CNP330A002	Spring washer ϕ 16	10
CNP330A003	Flat Washer Φ 16	6
CNP330A004	Extension plate	2
CNP330A005	Base plate	1
CNP330A006	Locknut M16	4
CNP330A007	Shock absorber for base plate	4
CNP330A008	Vibrator assembly	1
CNP330A009	Flat Washer Φ 18	4
CNP330A010	Spring washer ϕ 18	4
CNP330A011	Socket head bolt M18*65	4
CNP330A012	Lever, rotator	1
CNP330A013	Vibrator control cable	1
CNP330A014	Flat Washer Φ 8	29
CNP330A015	Spring washer Φ 8	26
CNP330A016	Screw for Knock pin	1
CNP330A017	Hexagonal bolt M8*25	1
CNP330A018	Socket head bolt M8*16	10
CNP330A019	Little closure plate	1
CNP330A020	Hexagonal bolt M10*35	1

МАЙСТОР®
ПРОФЕСИОНАЛЬНЫЕ РЕШЕНИЯ

CNP330A021	Spring washer Φ 10	3
CNP330A022	Big flat washer Φ 10	5
CNP330A023	Tensioner pulley assy	1
CNP330A024	Bigger flat washer Φ 16	4
CNP330A025	Hexagonal bolt M10 \times 55	4
CNP330A026	Bigger flat washer Φ 8	1
CNP330A027	Base	1
CNP330A028	Big closure plate	1
CNP330A029	Hexagonal bolt M8 \times 25	1
CNP330A030	Flat Key	1
CNP330A031	Belt B38	1
CNP330A032	Clutch assembly	1
CNP330A033	Engine	1
CNP330A034	Nut M10 with washer	4
CNP330A035	Protective frame	1
CNP330A036	Hexagonal bolt M12 \times 40	4
CNP330A037	Spring washer Φ 12	6
CNP330A038	Flat Washer Φ 12	6
CNP330A039	Locknut M8	2

CNP330A040	Rubber cap	1
CNP330A041	Hexagonal bolt M8×35	3
CNP330A042	Hexagonal bolt M12×65	2
CNP330A043	Bigger flat washer Φ 12	2
CNP330A044	Lining tube 41mm	2
CNP330A045	Nylon liner	2
CNP330A046	Shock absorber for handle	2
CNP330A047	Hexagonal bolt M8×20	4
CNP330A048	Rubber bumper	1
CNP330A049	Tube, handle	1
CNP330A050	Socket head bolt M8*16	4
CNP330A051	Throttle cable clamp	2
CNP330A052	Socket head bolt M6*35	2
CNP330A053	Spring washer Φ6	2
CNP330A054	Flat Washer Φ6	2
CNP330A055	Throttle lever	1
CNP330A056	Throttle cable	1
CNP330A057	Vibrator control lever	1
CNP330A058	Socket head bolt M8*30	2

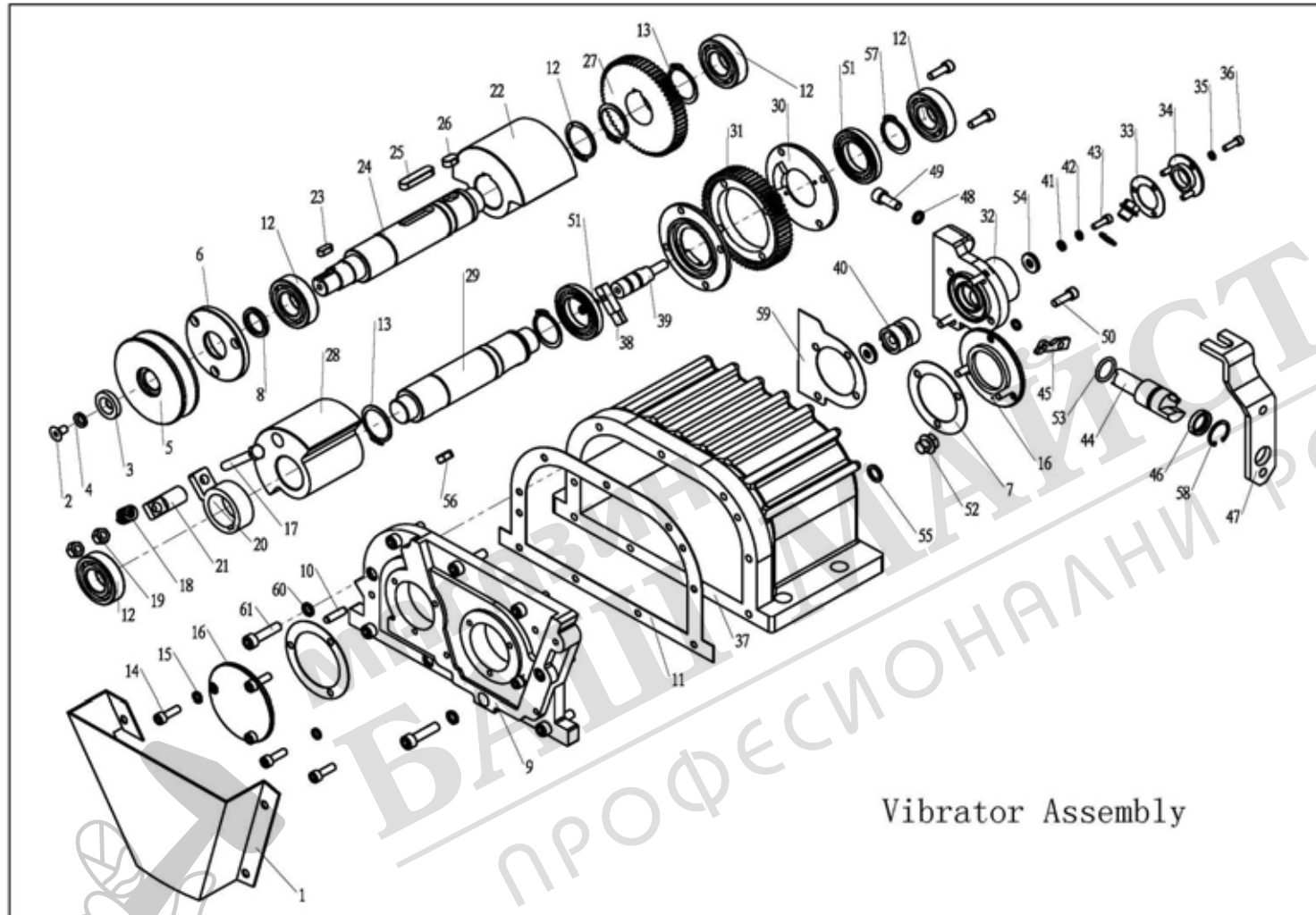
МАСТОРА®
ПРОФЕССИОНАЛЬНЫЕ РЕШЕНИЯ

CNP330A059	Reversing cable clamp	2
CNP330A060	Grip	1
CNP330A061	Hexagonal bolt M10×35	2
CNP330A062	Hexagonal bolt M12×35	2
CNP330A063	Locknut for handle	1
CNP330A064	Right ear plate	1
CNP330A065	Rubber bumper	1
CNP330A066	Belt cover	1
CNP330A067	Hexagonal bolt M8×20	2



МАГАЗИН
БАШ МАЙСТОРА®
ПРОФЕСІОНАЛНИ РЕШЕНИЯ

PCR320 vibrator Assy



Vibrator Assembly

PARTS NO	ENGLISH DESCRIPTION	QTY
CNP330A008-01	Belt cover (blow)	1

CNP330A008-02	Flat screw M8*20	1
CNP330A008-03	Washer, lock \varnothing 8,	1
CNP330A008-04	Wave washer \varnothing 8	1
CNP330A008-05	Driven pulley	1
CNP330A008-06	Bearing cover for pulley	1
CNP330A008-07	Shim	3
CNP330A008-08	Oil seal 28*50*10	1
CNP330A008-09	Cover of vibrator	1
CNP330A008-37	Vibrating case	1
CNP330A008-10	Locating pin \varnothing 8	2
CNP330A008-11	Shim	1
CNP330A008-12	Bearing NJ2206	4
CNP330A008-13	Circlip \varnothing 42	5
CNP330A008-14	Socket head bolt M8*20	9
CNP330A008-15	Spring washer \varnothing 8	9
CNP330A008-16	Bearing cover / shut-off	1
CNP330A008-17	Socket head bolt M10*65	1
CNP330A008-18	Spring clamp	1
CNP330A008-19	Nut M10	1

МАЙСТОР®
ПРОФЕСІОНАЛЬНІ РЕШЕННЯ

CNP330A008-20	Spring clamp	1
CNP330A008-21	Screw M20, spring clamp	1
CNP330A008-22	Eccentric rotator, drive	1
CNP330A008-23	Flat key 8*20	1
CNP330A008-24	Ecc. Rotary shaft, drive	1
CNP330A008-25	Flat key 12*50	1
CNP330A008-26	Flat key 12*20	1
CNP330A008-27	Gear , drive	1
CNP330A008-28	Eccentric rotator, driven	1
CNP330A008-29	Ecc.rotary shaft, driven	1
CNP330A008-30	Dial plate(R/L)	2
CNP330A008-31	Gear, driven	1
CNP330A008-32	Cylinder	1
CNP330A008-33	Shim	1
CNP330A008-34	Cover, cylinder	1
CNP330A008-35	Spring washer \varnothing 6	3
CNP330A008-36	Socket head bolt M6*20	3
CNP330A008-38	Knock pin	1
CNP330A008-39	Position rod	1

МАЙСТОР®
ПРОФЕСІОНАЛЬНІ РЕШЕННЯ

CNP330A008-40	Rotary sleeve	1
CNP330A008-41	Bigger flat washer \varnothing 5*32*2.5	1
CNP330A008-42	Spring Washer \varnothing 5	1
CNP330A008-43	Socket head bolt M5*16	1
CNP330A008-44	Rotator	1
CNP330A008-45	Lever, rotator	1
CNP330A008-46	Oil seal 20*30*6	1
CNP330A008-47	Holder	1
CNP330A008-48	Spring washer \varnothing 10	2
CNP330A008-49	Socket head bolt M10*25	2
CNP330A008-50	Socket head bolt M8*25	4
CNP330A008-51	Bearing 16008	2
CNP330A008-52	Oil plug M14*1.5	2
CNP330A008-53		2
CNP330A008-54	Plane bearing	2
CNP330A008-55	Alumimum washer	2
CNP330A008-56	Flat key 10*20	1
CNP330A008-57	Circlip \varnothing 40	2
CNP330A008-58	Cimap spring \varnothing 30	1

МАЙСТОРА®
РЕШЕНИЯ

CNP330A008-59	Shim, cylinder	1
CNP330A008-60	Washer \varnothing 10	9
CNP330A008-61	Socket head bolt M10*30	9
	Battery bracket	1
	Centrifugal weight	3
	36AH battery	1
	Red ball of throttle lever	

Remark: Our machines are with one year warranty except easy - damaged parts which marked in yellow.



МАГАЗИН МАЙСТОРА®
 БАШ ПРОФЕСІОНАЛНІ РЕШЕННЯ