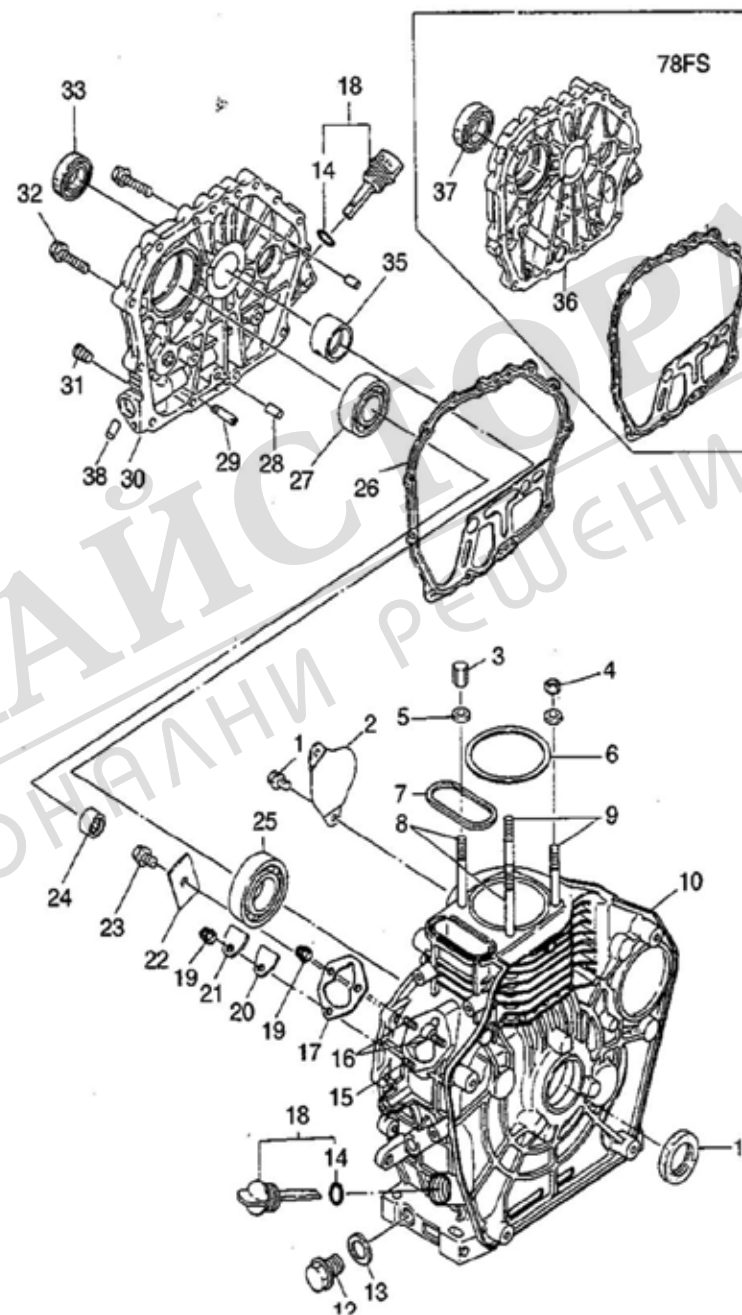


Schema explodata SC7500Q Senci
Exploded view SC7500Q Senci

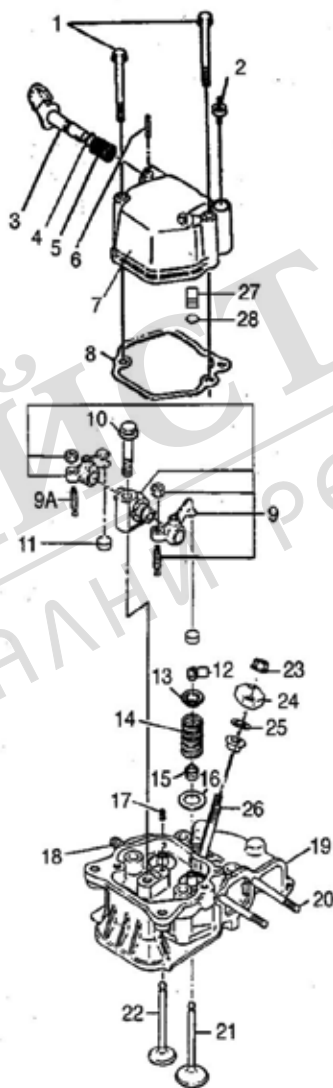
KD192FE				
1. Body parts list				
No.	Code	English Name	Unit	Qty
1	1710626	Bolt M10*20(GB5787-86)	PCS	2
2	17138	Cover of starting motor hole	PCS	2
3	86-1704903	Nut of cylinder head(long)	PCS	2
4	86-1705003	Nut of cylinder head(short)	PCS	2
5	86-1704803	Gasket of nut of cylinder head	PCS	2
6	86-1706314	Gasket of cylinder head	PCS	1
7	86-1720106	rectangle ring 5.1*2.5	PCS	1
8	86-1700203	Bolt of cylinder head(long)	PCS	2
9	86-1700303	Bolt of cylinder head(short)	PCS	2
10	86-1700110	Cylinder block	PCS	1
11	86-1711704	Oil sealing 30 x 45 x 8	PCS	1
12	17121	Cock of oil draining	PCS	1
13	17120	Gasket of cock of oil draining	PCS	1
14	1711324	"O" ring 24x2.4	PCS	2
15	17123	Fastening bolt of fuel injection pump(short)	PCS	1
16	17122	Fastening bolt of fuel injection pump(long)	PCS	2
17	1719605	Adjusting gasket of fuel injector(0.5)	PCS	1
18	78/86-1702002	Dipstick of lubricating oil	PCS	2
19	1710103	Nut M6	PCS	3
20	17159	Gasket of sealing plate	PCS	1
21	17158	Sealing plate	PCS	1
22	17195	Thrust piece	PCS	1
23	1710636	Bolt with flange face M8 x 14(GB5789-86)	PCS	1
24	1710010	Needle bearing 7941/15	PCS	1
25	86-1710008	Ball bearing 308(GB/T276-94)	PCS	1
26	86-1704603	Gasket of crankcase cover	PCS	1
27	86-1710404	Bearing 207(GB/T276-94)	PCS	1
28	1711111	retaining pin 8 x 12(GB119-86)	PCS	2
29	78/86-17080	Fuel pipe	PCS	1
30	86-1701904	Crankcase cover	PCS	1



31	17133	Inner hexagon plug G1/8"	PCS	1
32	86-1710083	Anti-loosing bolt M8 x 33.5	PCS	1
33	86-1711705	Front oil sealing 35 x 50 x 10	PCS	1
34	86-1701803	Main bush	PCS	1
35	78/86-1711602	Al. plug 08 x 8	PCS	3

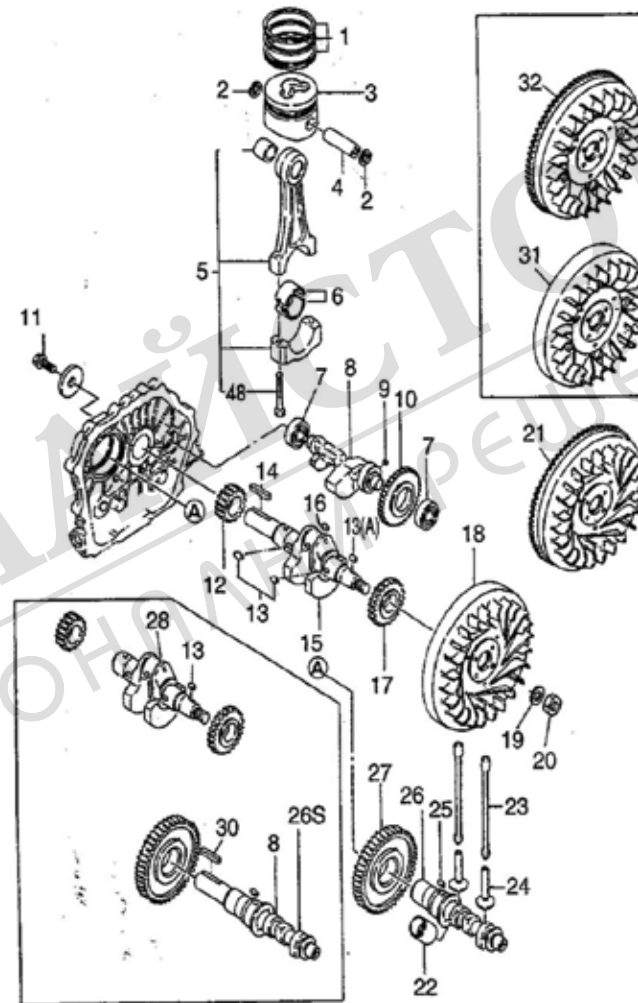
2. Cylinder head and head cover

No.	Code	English Name	Unit	Qty
1	86-1710730	Bolt with flange face M6 x 70(GB5789-86)	PCS	2
2	17142	Oiling screw plug	PCS	1
3	17139	Part of decompression shaft	PCS	1
4	1711310	"O" ring 10x1.9(GB1235-76)	PCS	1
5	17140	Decompression spring	PCS	1
6	1711103	Retaining pin 3 x 16(GB119-86)	PCS	1
7	86-1706603	Cylinder head cover	PCS	1
8	86-1717001	Gasket of cylinder head cover	PCS	1
9	86-1716801	Rocker arm	PCS	1
9A	17165	Adjusting screw of valve gap	PCS	1
10	86-1716901	Fastened bolt of rocker arm shaft	PCS	1
11	86-1705203	Valve adjusting packing	PCS	2
12	86-1702703	Valve clip	PCS	4
13	86-1702803	Valve spring seat	PCS	2
14	86-1702903	Valve spring	PCS	2
15	86-1702100	Oil seal of valve guide	PCS	2
16	86-1713601	Spring washer of valve	PCS	2
17	1711104	Pin4 X 8(GB119-86)	PCS	1
18	1710920	Double ends stud AM8 X 20(GB899-88)	PCS	2
19	86-1702402	Mechanical process parts of cylinder head	PCS	1
20	86-1710956	Double ends bolt AM6 x 75(GB900-88)	PCS	2
21	86-1702503	Intake valve	PCS	1
22	86-1702605	Exhaust valve	PCS	1
23	1710103	Nut M6(GB6177-86)	PCS	2
24	179732	Pressing plate of fuel injector	PCS	1
25	1724502	Adjusting gasket of fuel injector	PCS	1
26	86-17122	Fastened bolt of fuel injector(long)	PCS	2
27	17141	Breather assembly	PCS	1
28	1711312	"O" ring 12x1.9	PCS	1



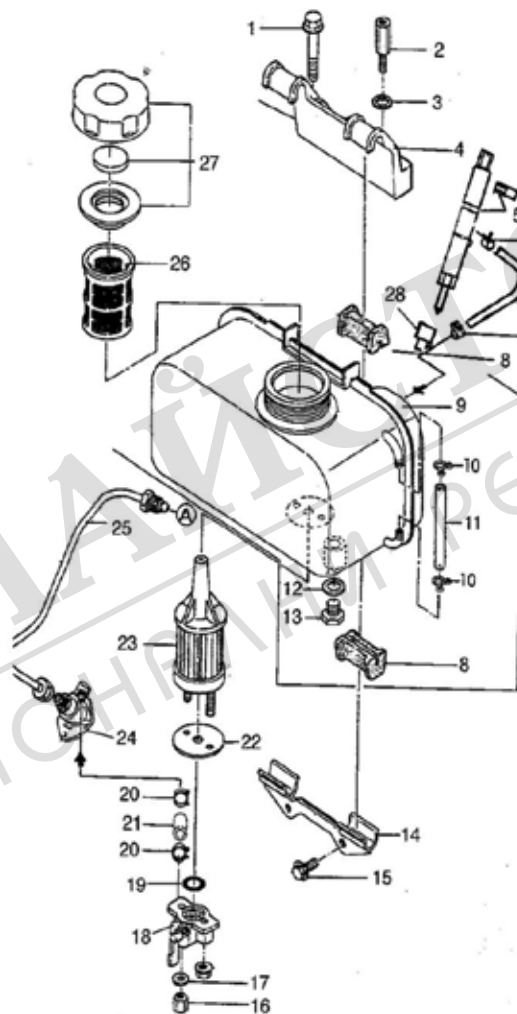
3. Piston connecting and balancing shaft

No.	Code	English Name	Unit	Qty
1	86-1701404	Piston ring group	PCS	1
2	86-1701603	Retainer of piston pin 23	PCS	2
3	86-170204	Piston	PCS	1
4	86-1701703	Piston pin	PCS	1
5	86-1701303	Connecting rod body	PCS	1
6	86-1701503	Connecting rod bush	PCS	1
7	86-1710000	Bearing 203{GB/T276-94}	PCS	2
8	86-1706503	Balancing shaft	PCS	1
9	1710507	Key 5 x 7(GB1096-79)	PCS	2
10	86-1707703	Balancing shaft timing gear	PCS	1
11	A001	Bolt(for F shaft accompany with the diesei eng	PCS	
12	86-1700803	Crankshaft timing gear	PCS	1
13	86-1710512	Key5 x 12(GB1096-79)	PCS	1
13A	86-1710514	Key5 x 14(GB1096-79)	PCS	1
14	78/86-1710563	Key6 x 63(GB1096-79)	PCS	1
15	86-1700708	Crankshaft	PCS	1
16	1711601	Plug6 x 8	PCS	1
17	86-1707803	Driving gear of balancing shaft	PCS	1
18	86-1704400	Flywheel	PCS	1
19	86-1715601	Gasket for nut of flywheel	PCS	1
20	86-1715501	Nut flywheel	PCS	1
21	86-1704504	Gear ring of flywheel(for starting motor)	PCS	1
22	1704705	Sleeve of fuel pump tappet	PCS	1
23	86-1705103	Push rod	PCS	2
24	86-171501	Tappet	PCS	2
25	86-1710504	Key4 x 14(GB1096-79)	PCS	2
26	86-1701000	Camshaft	PCS	1
27	86-1701103	Camshaft timing gear	PCS	1



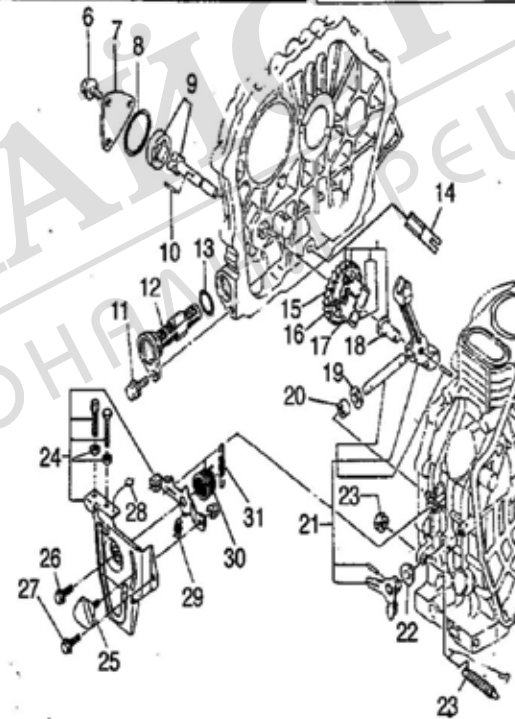
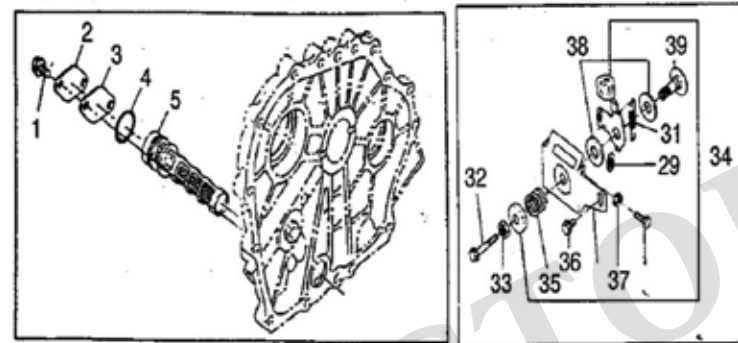
4. Fuel system

No.	Code	English Name	Unit	Qty
1	1710745	* Bolt M8*45(GB5787-86)	PCS	1
2	17185	Fastened bolt for upper bracket of fuel tank	PCS	1
3	1710208	Flat washer 8(GB97.1 -85)	PCS	1
4	86-1705803	Upper bracket of fuel tank	PCS	1
5	1705301	Injector	PCS	1
6	17212	Fuel leak-off pipe connecting	PCS	2
7	17192	Fuel leak-off pipe	PCS	1
8	17184	Shock absorbing pad of fuel tank	PCS	4
9	86-1704203	Fuel tank	PCS	1
10	17212	Fuel pipe connecting	PCS	2
11	17147	Fuel pipe	PCS	1
12	17151	Gasket of fuel draining M6(GB6177-86)	PCS	1
13	17152	Cock offuel fraining(fuel pipe)	PCS	1
14	17183	Lower bracket of fuel tank	PCS	1
15	1710714	BoltM6*14(GB5787-86)	PCS	2
16	1710106	NutM6{GB6177-86)	PCS	2
17	1710206	Flat washer6(G B97.1 -85)	PCS	1
18	17150	Fuel tank cock Assem	PCS	1
19	17154	Flat washer	PCS	1
20	1719403	Clamp of fuel oil pipe	PCS	2
21	17189	Fuel oil pipe	PCS	1
22	17148	Gasket of fuel oil filter	PCS	1
23	86-1704303	Fitter element Assem	PCS	1
24	86-1704700	Fuel injection pump	PCS	1
25	86-1705603	High pressure fuel pipe	PCS	1
26	17146	Fuel oil filter	PCS	1
27	17153	Fuel take cap Assem	PCS	1
28	1705302	Cap of fuel injector	PCS	1



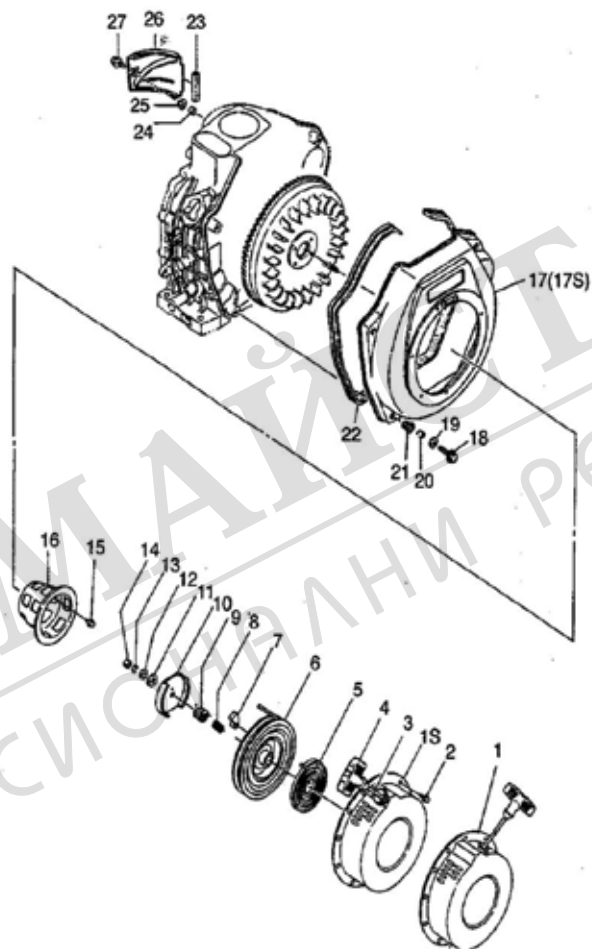
5. Lubrication and rotating speed control system

No.	Code	English Name	Unit	Qty
1	78/86-1711316	Seal ring 20*2.65	PCS	1
2	1710712	Bolt M6*12(GB5787-86)	PCS	3
3	17022	Oil pump cover	PCS	1
4	1711334	Seal ring 20*2.5	PCS	1
5	86-1713501	Oil pump	PCS	1
6	1711103	Pin 3*16(GB119-82)	PCS	1
7	78/86-1710714	Bolt M6*14(GB5789-86)	PCS	1
8	78/86-1702103	Oil filter element	PCS	1
9	78/86-1711316	Seal ring 20*2.65	PCS	1
10	78/86-17080	Oil guide	PCS	1
11	86-1702302	Driving gear of oil pump	PCS	1
12	17132	Pin of fly block	PCS	1
13	17131	Fly block	PCS	2
14	17234	Tappet of governor fork	PCS	2
15	17125	Gasket of lever shaft	PCS	1
16	1710009	Bearing 7941/8(GB290-64)	PCS	1
17	86-1700503	Fork lever assembly	PCS	1
18	17214	Wasker	PCS	1
19	86-1712601	Parts of fuel controller	PCS	1
20	17164	Handle bracket	PCS	1
21	17167	Speed-control lever	PCS	1
22	1710714	Bolt M6*14(GB5787-86)	PCS	2
23	1710714	Bolt M6*18(GB5787-86)	PCS	1
24	A002	Lead seal	PCS	1
25	17612	Return spring II	PCS	1
26	17161	Return spring I	PCS	1
27	86-1716001	Speed-control spring	PCS	1
28	1710645	Bolt M6*45(GB6172-86)	PCS	1
29	1710111	Nut M10*1.25	PCS	1
30	1706701	FG partsof lever	PCS	1
31	1706901	FG gornor spring	PCS	1
32	1710714	Bolt M6*14(GB5789-86)	PCS	1
33	1710106	Nut M6(GB39-88)	PCS	1
34	1716801	Washer	PCS	2
35	1730720	Handle shaft	PCS	1



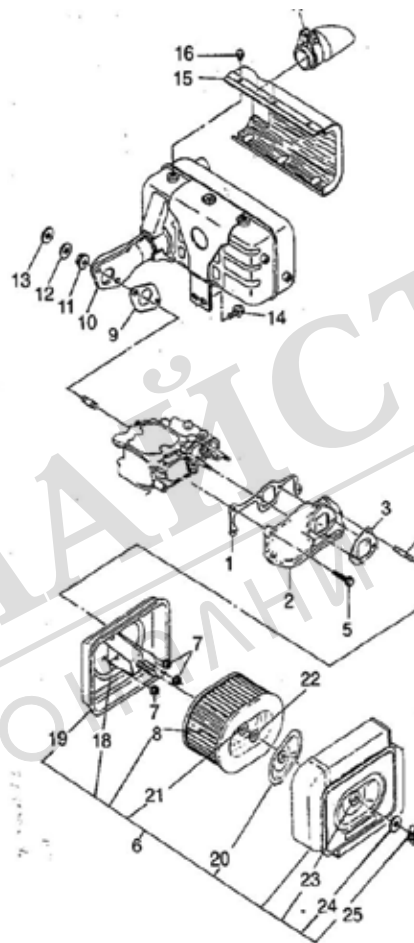
6. Cooling and Recoil starting system

No.	Code	English Name	Unit	Qty
1	86-1703404	Case Assem	PCS	1
2	1710708	bolt M6*8(G B5787-86)	PCS	4
3	86-1703503	Starting rope	PCS	1
4	86-1703802	Starting handle	PCS	1
5	86-1703303	Flat spriac spring	PCS	1
6	86-1703203	Reel	PCS	1
7	78/86-1704005	Starting claw	PCS	2
8	78/86-1721801	Compressed spring	PCS	1
9	78/86-1721901	Torque spring	PCS	1
10	78/86-1704006	Plate of starting claw	PCS	1
11	78/86-1703902	Friction plate	PCS	1
12	78/86-1703803	Gasket of friction plate	PCS	1
13	1710306	Spring wasger	PCS	1
14	1710106	Nut M6(GB6170-86)	PCS	1
15	1710712	Bolt M6*12(GB5789-86)	PCS	3,4
16	86-1705703	Starter	PCS	1
17	86-1704105	Wind leading case welded	PCS	1
18	86-1710622	bolt M6*22(G B5787-86)	PCS	5
19	86-1710207	Washer6(GB90-85)	PCS	5
20	86-17145	Collar	PCS	5
21	86-17143	shock absorber	PCS	5
22	17144	pieces of shock pads	PCS	1
23	78/86-17127	shock isolation piece of wind leading plate	PCS	1
24	78/86-17129	collar	PCS	1
25	78/86-17128	Pad	PCS	1
26	86-1700403	Wind leading plate	PCS	1
27	86-1710614	bolt M6*82(shaped piece)	PCS	1

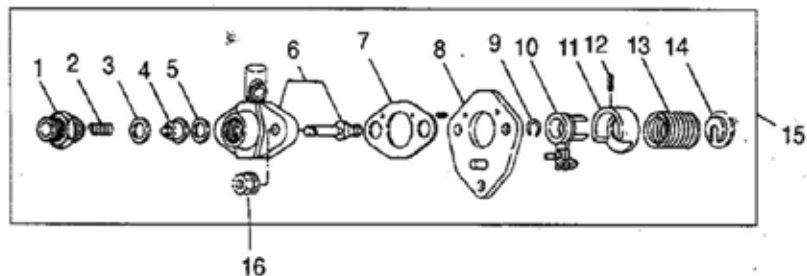


7. Air filter and muffler system

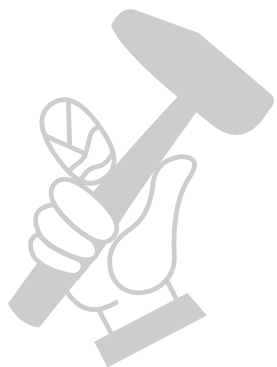
No.	Code	English Name	Unit	Qty
1	86-1703103	Gasket of intake pipe	PCS	1
2	86-1703003	Intake pipe	PCS	1
3	86-1717501	Gasket of air cleaner	PCS	3
4	17137	Bolt	PCS	1
5	1710722	Shaped bolt M6*22(GB5789-86)	PCS	1
6	86-1717401	Air filter assembly	PCS	1
7	1710103	Nut M6(GB6177-86)	PCS	1
8	86-1717601	Air filter element	PCS	1
9	86-1718601	Gasket of muffler	PCS	1
10	86-1705403	Muffler assembly	PCS </td <td>1</td>	1
11	1710208	Flat washer08	PCS	2
12	1710308	Spring washer08	PCS	2
13	1710108	Nut M8(GB6170-86)	PCS	1
14	78/86-1710714	Bolt M8*14(GB5789-86)	PCS	2
15	86-1705503	Screen cover of nuffler	PCS	1
16	1710708	Bolt M6*14(GB5789-86)	PCS	1
17	86-1705406	Connector	PCS	1
18	86-1718002	Sealing ring II of shock proof	PCS	1
19	86-1718003	Air cleaner Bottom Case Assem	PCS	1
20	86-1718001	Sealing ring I of shock proof	PCS	1
21	86-1718101	Shock absorbor of air filter	PCS	1
22	86-1710114	Collar(G B6177-86)	PCS	1
23	86-1720106	Shock absorber of air filter(aquare)	PCS	1
24	17177	Washer	PCS	1
25	86-1710109	Butterfly nut MS	PCS	1



МАСТОР®
 ПРОСЬБА РЕШЕНИЯ



- | | |
|----------------------------------|--------------------------------|
| 1. Delivery holder | 9. Circlip |
| 2. Delivery spring | 10. Control lever Assem |
| 3. Delivery gasket | 11. Spring seat I |
| 4. Delivery valve | 12. Pin of sleeve |
| 6. Plunger | 13. Fuel injecting pump |
| 7. Adjusting gasket | 14. Fuel injection pump spring |
| 8. Connecting plate of pump body | 15. Fuel pump assembly |
| | 16. Nut M6 |



МАГАЗИН МАЙСТОРА®
 БАШ МАЙСТОРА®
 ПРОФЕСИОНАЛНИ РЕШЕНИЯ