

1105721
SYNTESI 250 R 230V 50HZ OMOL

3209547_1105721_R20W - R20W (20/10/2020)



Access Platform Division

Via San Francesco d'Assisi, 8 - 46020 Pegognaga (Mantova) - ITALY Tel. +39 0376
554011 - Fax +39 0376 559855

www.imergroup.com

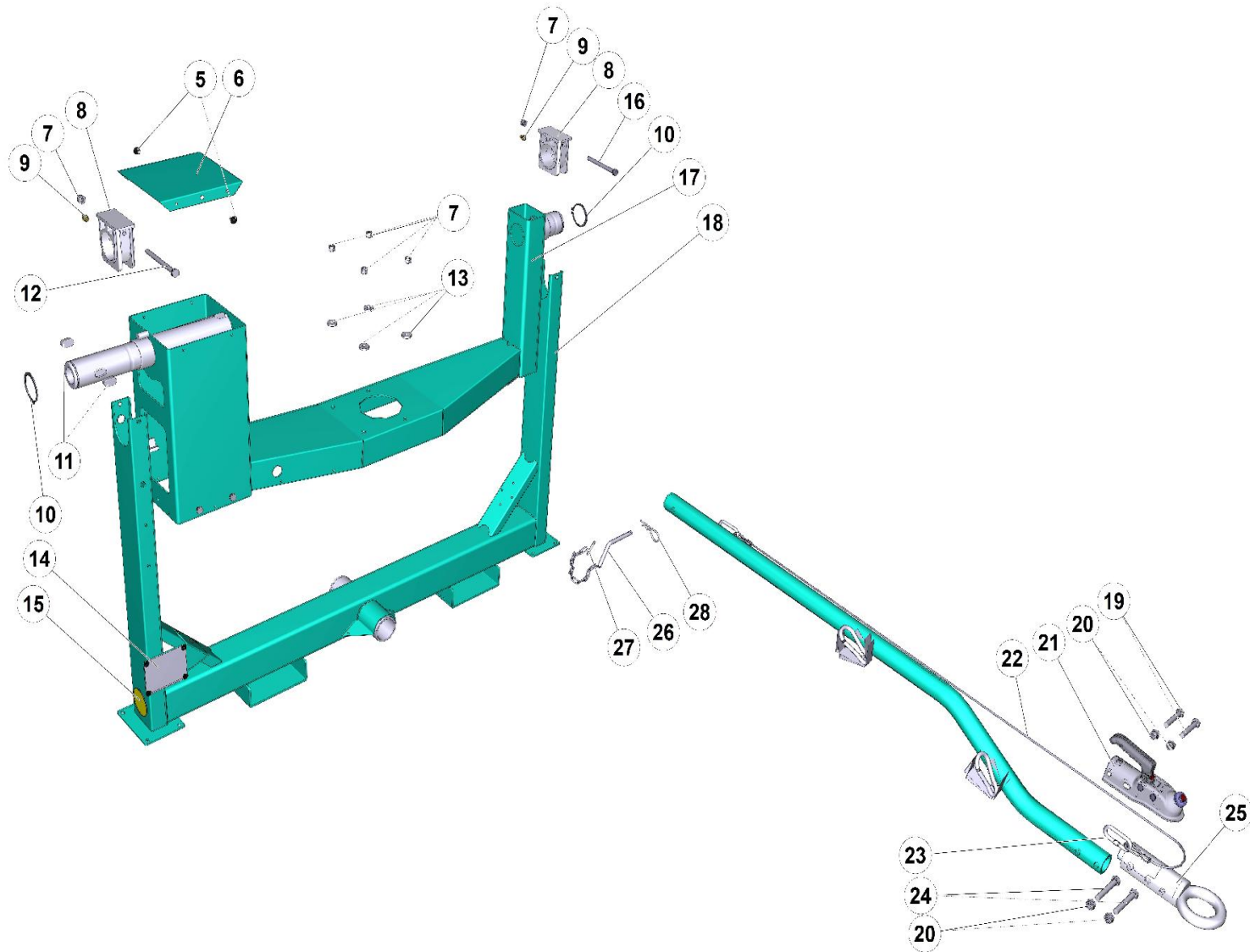
Building Equipment Division

Via della Meccanica, 39 (Zona Industriale Sentino) - 53040 Rapolano Terme
(Siena) - ITALY - Tel. +39 0577 97341 - Fax +39 0577 704077

www.imergroup.com

www.imerglobalcustomercare.com

UPPER FRAME



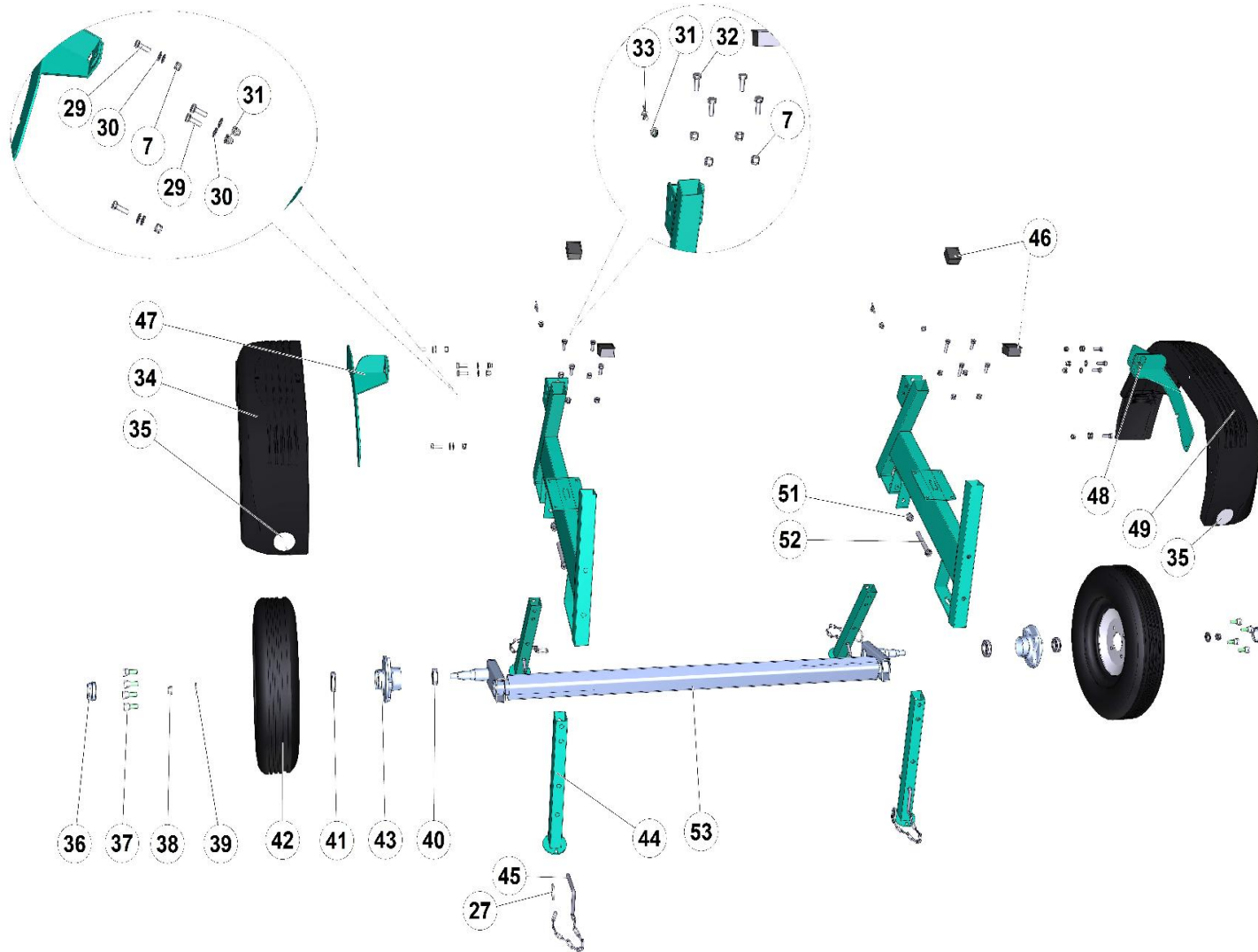


N.	CODE	DESCRIPTION	UM	QTY
5	3211175	ALUMINUM RIVET 4.8X16 T16	PZ	2
6	3228746	ARM LOCK	PZ	1
7	2223923	LOCK NUT	PZ	5
8	3208792	BLOCK SUPPORT/CONC.MIXER	PZ	2
9	2230350	Grease nipple	PZ	2
10	2227205	STOP RING	PZ	2
11	3208776	PIN	PZ	2
12	2222112	SCREW	PZ	1
13	3203917	WASHER	PZ	4
14	3233403	EUROPEAN APPROVAL PLATE SYNTESI 250E		1
15	3209961	REFLECTOR YELLOW COLOUR	PZ	1
16	2222114	SCREW	PZ	1
17	3208782	Arm	PZ	1
18	3209169	CRADLE	PZ	1
19	2222008	SCREW	PZ	2
20	2223921	NUT	PZ	4
21	1169258			1
22	3209859	CABLE	PZ	1
23	3209586	HANDLE	PZ	1
24	2222049	SCREW	PZ	2
25	3210632	TOWING	PZ	1



N.	CODE	DESCRIPTION	UM	QTY
26	3209587	Pin	PZ	1
27	2227048	CLIP/CONC.MIXER	PZ	2
28	2226700	SPLIT PIN	PZ	1

LOWER FRAME



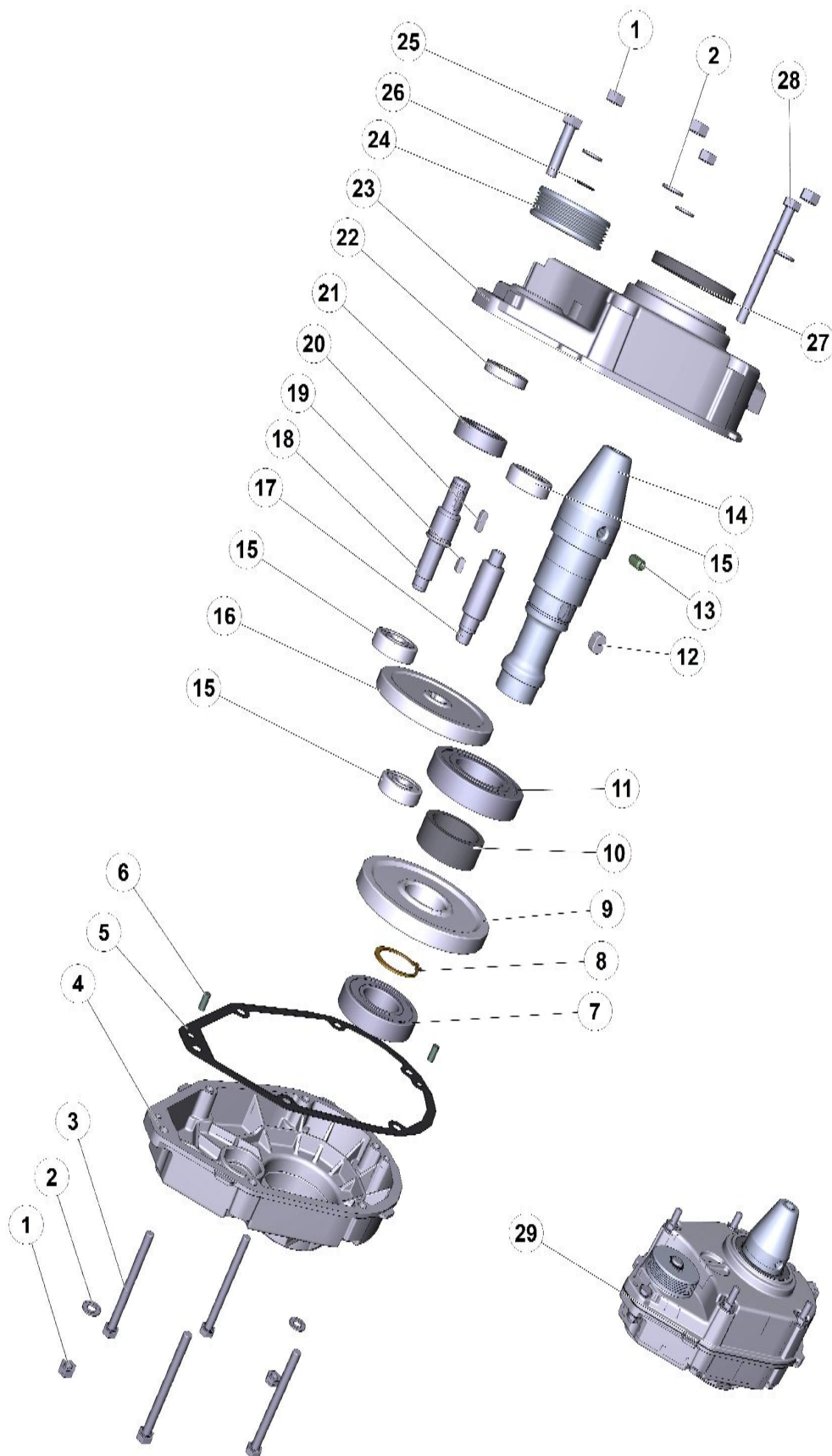


N.	CODE	DESCRIPTION	UM	QTY
7	2223923	LOCK NUT	PZ	8
27	2227048	CLIP/CONC.MIXER	PZ	4
29	2222076	SCREW/SAW	PZ	8
30	2224140	ROLLER 6593	PZ	16
31	2224005	THREADED INSERT M8*9418-2822*	PZ	8
32	2222060	SCREW	PZ	8
33	2223018	WINGS SCREW 5449 8X20Z		2
34	3236390	RIGHT PLASTIC FENDER CONC MIXER/STEP	PZ	1
35	3209960	REFLECTOR WHITE COLOUR	PZ	2
36	3236428	NUT COVER ALKO CHASSIS	PZ	2
37	3234146	COLUMN	PZ	8
38	3236427	NUT DIN 934 M 16 ALKO CHASSIS	PZ	2
39	2224640	WASHER	PZ	2
40	2204560	Bearing	PZ	2
41	3210629	ROLLER/SAW	PZ	2
42	2211407	WHEEL/CONC.MIXER	PZ	2
43	3236429	COMPLETE HUB AL-KO 98x4 M12x1.5	PZ	2
44	3208885	FOOT	PZ	4
45	3208587	Pin	PZ	4
46	3201015	Terminal	PZ	4
47	3236392	RIGHT FENDER SUPPORT BRACKET S250E	PZ	1



N.	CODE	DESCRIPTION	UM	QTY
48	3236394	LEFT FENDER SUPPORT BRACKET S250E	PZ	1
49	3236391	LEFT PLASTIC FENDER CONC MIXER/STEP	PZ	1
51	3207392	NUT/MN	PZ	2
52	2222085	SCREW	PZ	2
53	3236407	WHEEL	PZ	1

GEAR BOX



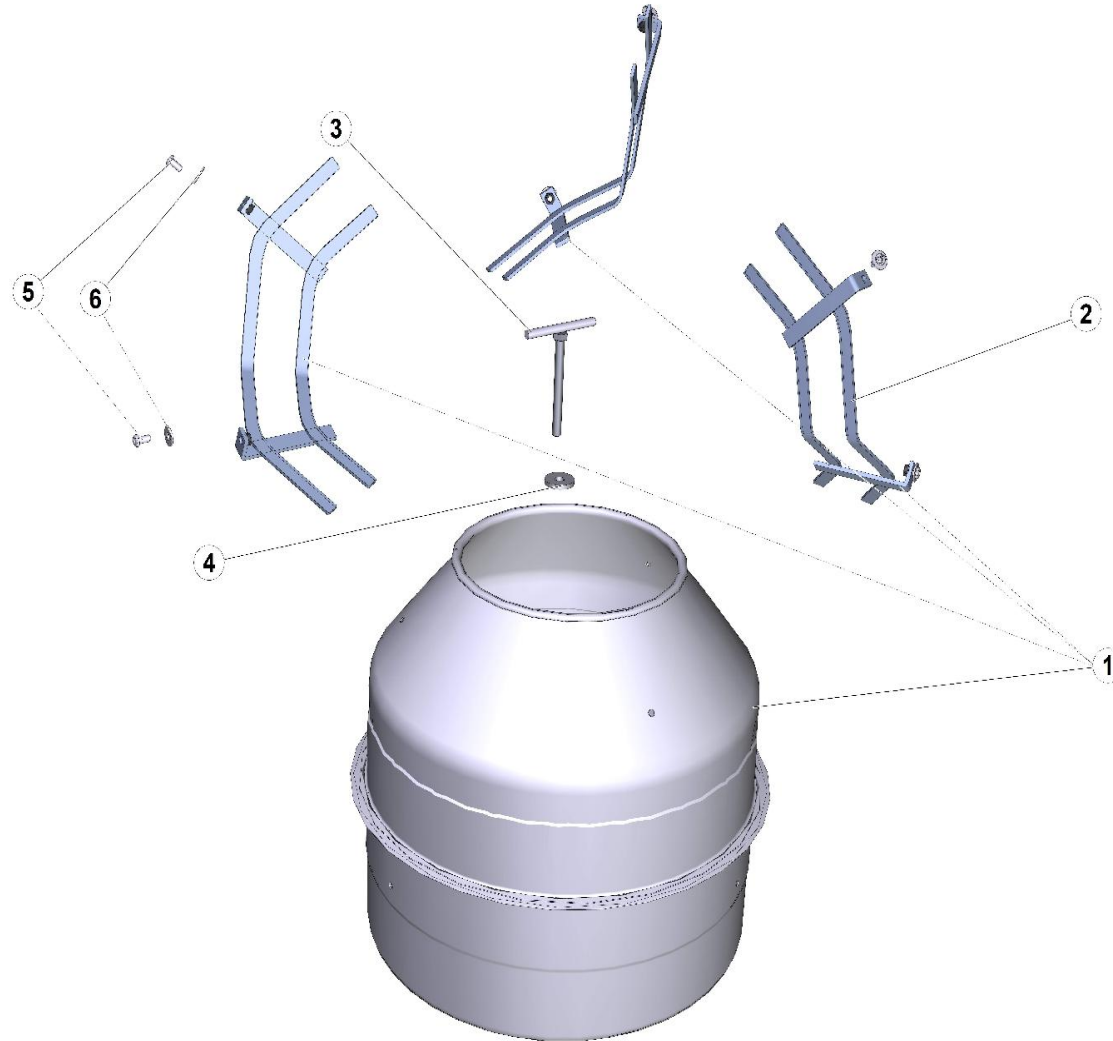


N.	CODE	DESCRIPTION	UM	QTY
1	2223570	NUT	PZ	6
2	2224140	ROLLER 6593	PZ	6
3	3227517	SCREW TE 8.8 5739 M8X100 Z	PZ	4
4	3209680L	REDUCTION GEAR CASING	PZ	1
5	3213887	GASKET	PZ	1
6	2228820	Gudgeon pin	PZ	2
7	3213898	Bearing	PZ	1
8	2227220	STOP RING	PZ	1
9	3208756	GEAR WHEEL	PZ	1
10	3208752	SPACER	PZ	1
11	3213899	BEARING/MN	PZ	1
12	3213897	KEY	PZ	1
13	2228360	PIN	PZ	1
14	3208748	SHAFT	PZ	1
15	3209679	Bearing	PZ	3
16	2202493	GEAR WHEEL/MN	PZ	1
17	3208754	PINION	PZ	1
18	3209770	SHAFT	PZ	1
19	2229249	KEY	PZ	1
20	2229250	KEY	PZ	1
21	2204440	Bearing	PZ	1



N.	CODE	DESCRIPTION	UM	QTY
22	3200094	OIL SEAL/CONC.MIXER	PZ	1
23	3209681L	Flange	PZ	1
24	3208762	PULLEY	PZ	1
25	2222018	SCREW	PZ	1
26	1227330	STOP RING	PZ	1
27	3213896	SEAL	PZ	1
28	2222114	SCREW	PZ	1
29	3208746	Reduction gear	PZ	1

DRUM

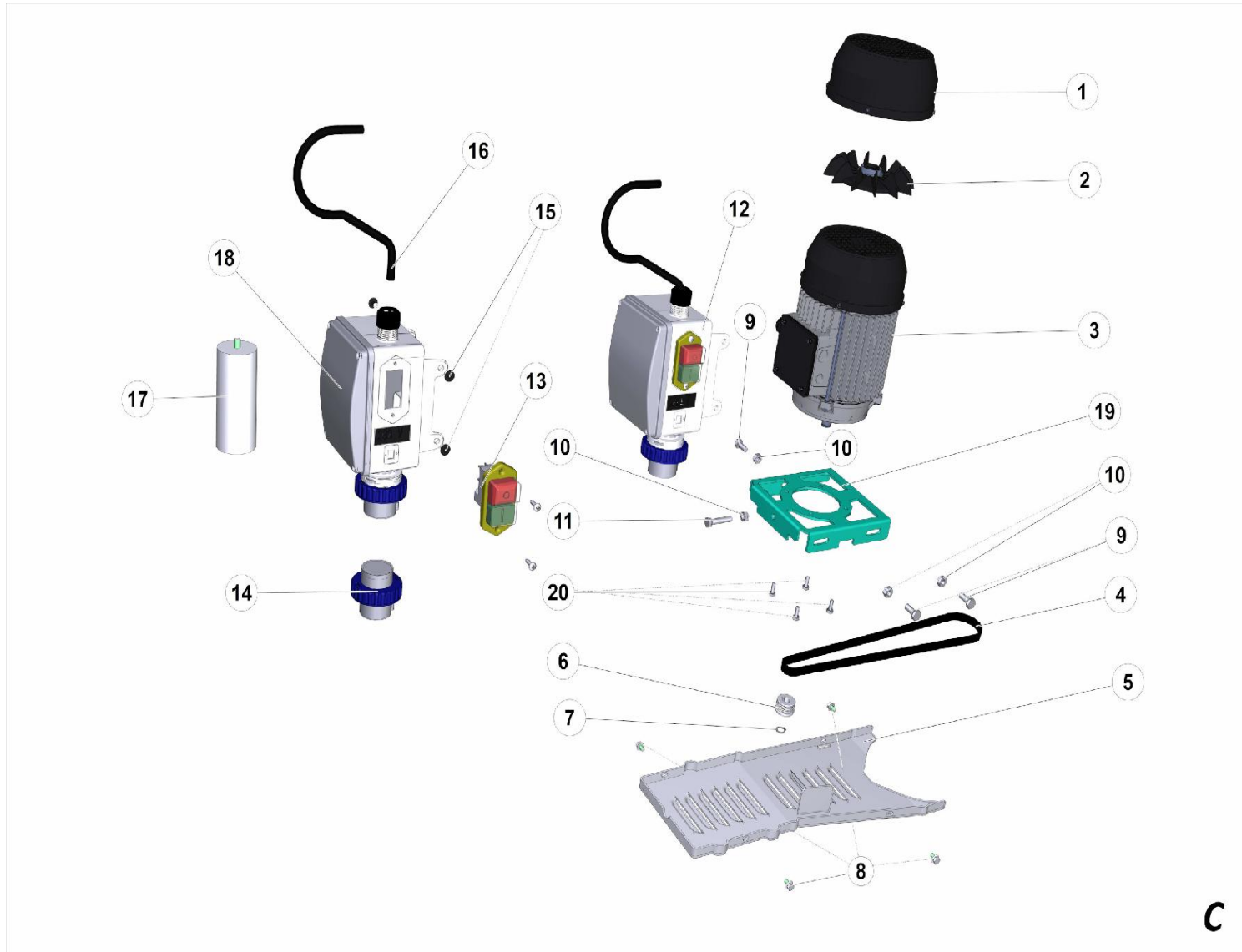


A



N.	CODE	DESCRIPTION	UM	QTY
1	3208811	DRUM / SYNTESI 250	PZ	1
2	2250087	Mixing blade	PZ	3
3	3206690	3206690 (10816046) LEVER LOCK	PZ	1
4	3207225	3207225 (10100110) WASHER FLAT	PZ	1
5	3231552	SCREW 10.9 7380 12X25	PZ	6
6	3201698	WASHER		6

MOTOR ELECTRIC PANEL

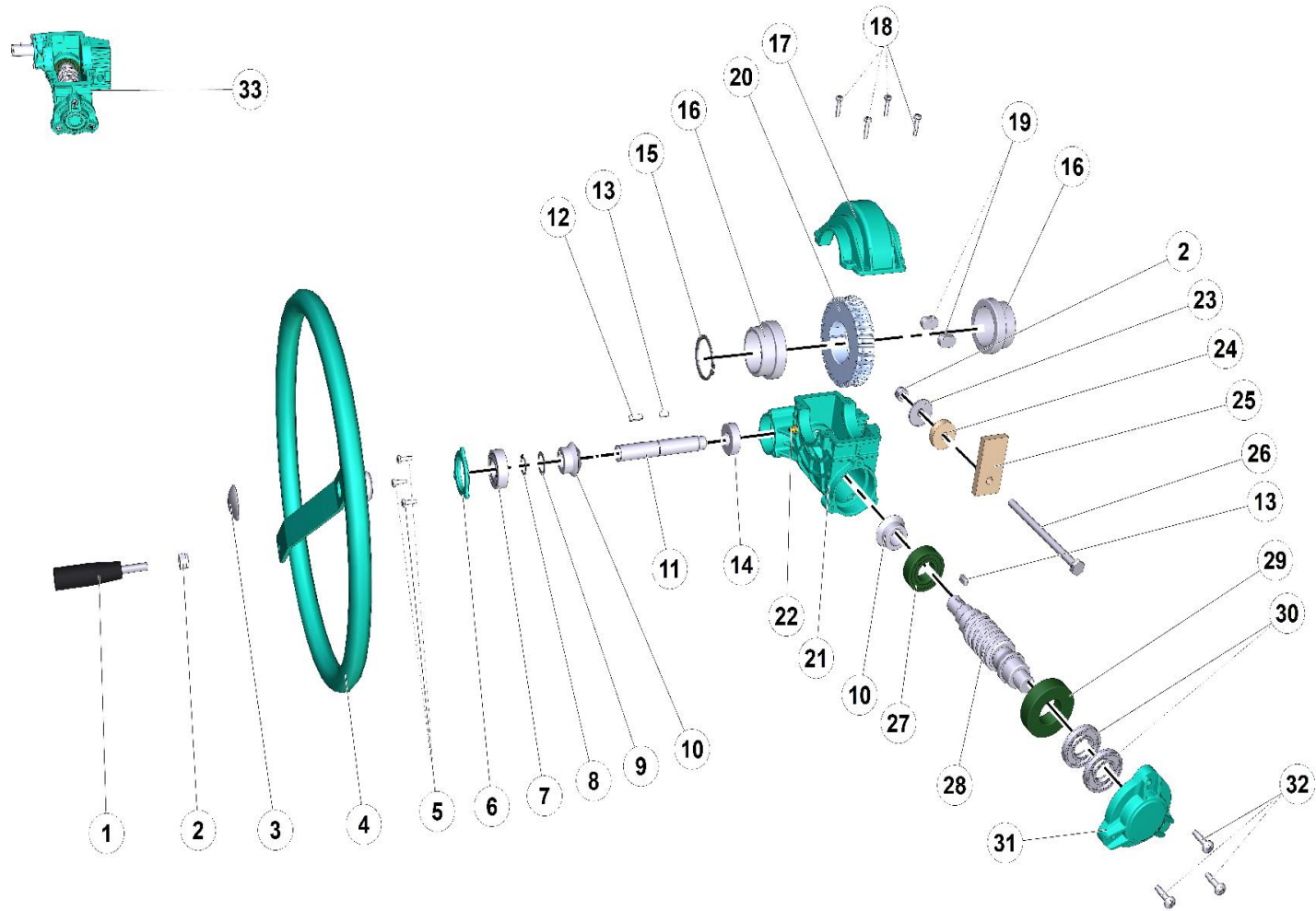


C



N.	CODE	DESCRIPTION	UM	QTY
1	3233812	FAN COVER MOT MEC-71 PLAST. SY 190/250	PZ	1
2	3226240	FAN	PZ	1
3	3234487	MOTOR KW1 SY190.250 230/240V50	PZ	1
4	3208791	BELT/CONC.MIXER	PZ	1
5	3208795	Guard	PZ	1
6	3208828	PULLEY/CONC.MIXER	PZ	1
7	2227214	STOP RING	PZ	1
8	3225750	BOLT/SAW	PZ	4
9	2222060	SCREW	PZ	3
10	2223570	NUT	PZ	4
11	2222190	SCREW	PZ	1
12	3229075	ELECTRIC PANEL S 190-250 230V50	PZ	1
13	3209337	SWITCH	PZ	1
14	3226018	PLUG	PZ	1
15	3211175	ALUMINUM RIVET 4.8X16 T16	PZ	4
16	3226030	ELECTRICAL CABLE 230V 1,5 S190-350	PZ	1
17	3229078	CAPACITOR MF35V450	PZ	1
18	3228752	BOX	PZ	1
19	3208804	SUPPORT	PZ	1
20	2222002	SCREW	PZ	4

DRUM REDUCTION UNIT



B



N.	CODE	DESCRIPTION	UM	QTY
1	3206748	HANDLE	PZ	1
2	2223920	SELF-LOCKING NUT	PZ	2
3	3234355	STOP RING Z WITH CAP D.20 INOX	PZ	1
4	3228750	HANDWHEEL SYNTESI	PZ	1
5	2222465	SCREW	PZ	3
6	3234642	REDUCER COVER	PZ	1
7	2204560	Bearing	PZ	1
8	2227320	CIRCLIP	PZ	1
9	3227876	WASHER	PZ	1
10	3213264	PINION/CONC.MIXER	PZ	2
11	3208771	SHAFT/CONC.MIXER	PZ	1
12	2229300	KEY/CONC.MIXER	PZ	1
13	2229259	KEY	PZ	2
14	3232764	Bearing	PZ	1
15	2227205	STOP RING	PZ	1
16	3208770	PIN	PZ	2
17	3234640	CAP/CONC.MIXER	PZ	1
18	2222467	SCREW	PZ	4
19	3208776	PIN	PZ	2
20	3208773	GEAR WHEEL/CONC.MIXER	PZ	1
21	3234639	REDUCTION GEAR CASING	PZ	1



N.	CODE	DESCRIPTION	UM	QTY
22	2230350	Grease nipple	PZ	1
23	2224220	WASHER	PZ	1
24	3208944	Damper	PZ	1
25	3208789	Damper	PZ	1
26	3210606	SCREW	PZ	1
27	2204540	Bearing	PZ	1
28	3213893	SCREW	PZ	1
29	3237097	BEARING/MN	PZ	1
30	3213811	STOP RING	PZ	2
31	3234641	COVER	PZ	1
32	3209987	SCREW	PZ	3
33	3209786	TILTING DRUM GEARBOX/CONC.MIXER	PZ	1



Access Platform Division

Via San Francesco d'Assisi, 8 - 46020 Pegognaga (Mantova) - ITALY Tel. +39 0376
554011 - Fax +39 0376 559855

www.imergroup.com

Building Equipment Division

Via della Meccanica, 39 (Zona Industriale Sentino) - 53040 Rapolano Terme
(Siena) - ITALY - Tel. +39 0577 97341 - Fax +39 0577 704077

www.imergroup.com