



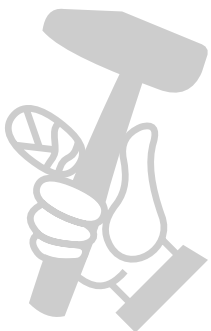
GB

UNITED KINGDOM

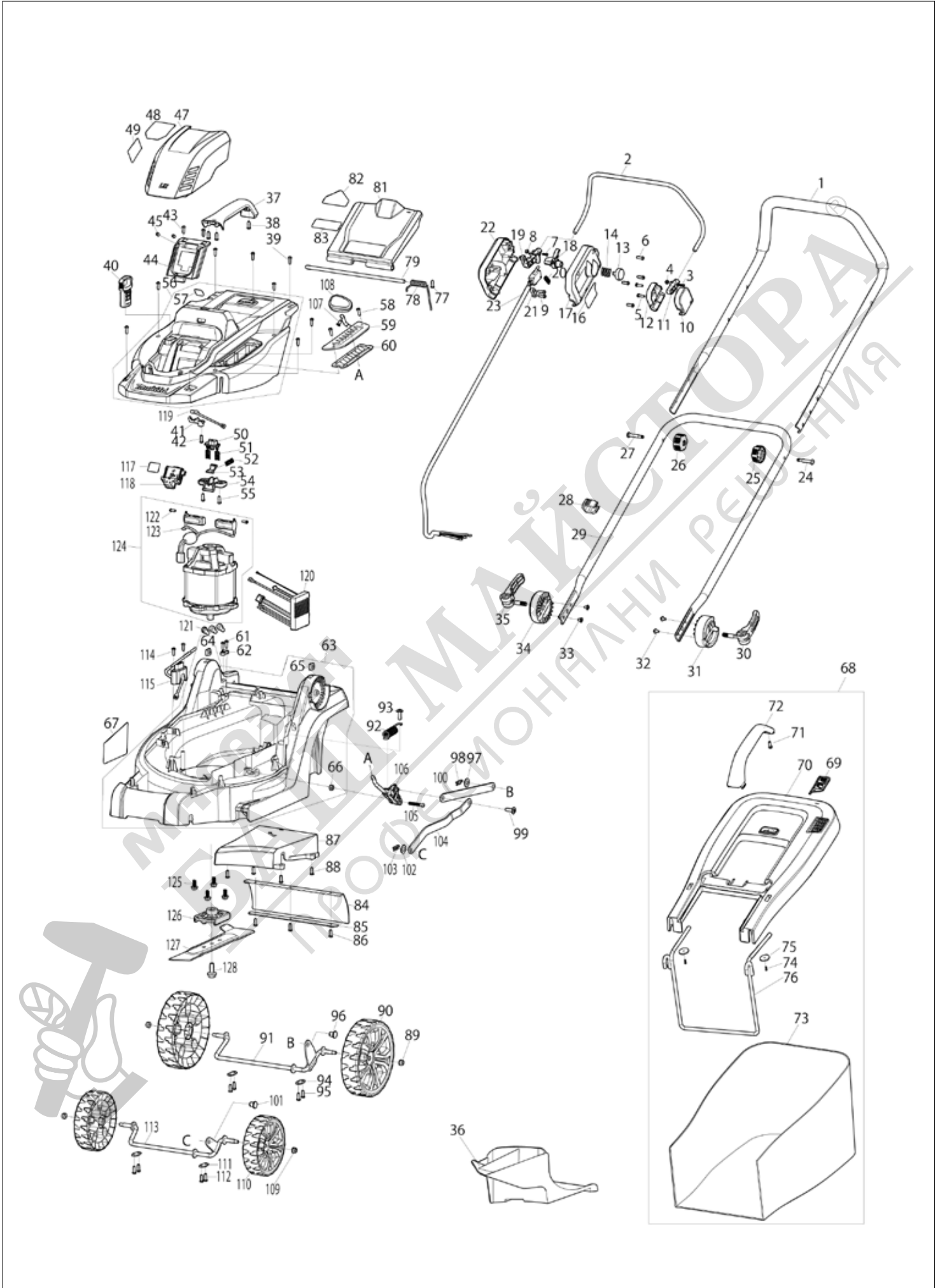
Diagram / Parts List

DLM330

330MM CORDLESS LAWN MOWER



(GB) DLM330 / 330MM CORDLESS LAWN MOWER



DLM330 / 330MM CORDLESS LAWN MOWER

Item	Sub	Parts No.	Parts Description	Qty	I/C	E/C No.	Close No.	Remark
001		GB00000136	UPPER HANDLE	1				
002		GB00000044	SWITCH LEVER	1				
003		GB00000045	PAN HEAD SCREW M4X18	1				
004		GB00000046	HEX LOCK NUT M4	1				
005		GB00000003	TAPPING SCREW ST4.2X15	2				
006		GB00000003	TAPPING SCREW ST4.2X15	4				
007		GB00000045	PAN HEAD SCREW M4X18	1				
008		GB00000046	HEX LOCK NUT M4	1				
009		GB00000003	TAPPING SCREW ST4.2X15	2				
010		GB00000047	SWITCH LEVER HINGE BOX L	1				
011		GB00000048	SWITCH LEVER END CAP L	1				
012		GB00000049	SWITCH LEVER HINGE BOX R	1				
013		GB00000050	SWITCH LINK BUTTON	1				
014		GB00000051	COMPRESSION SPRING	1				
016		GB00000153	SWITCH OPERATION LABEL	1				
017		GB00000053	SWITCH BOX COVER L	1				
018		GB00000054	SWITCH CONTROL LINK	1				
019		GB00000055	SWITCH LEVER END CAP R	1				
020		GB00000056	TENSION SPRING	1				
021		GB00000057	CORD CLAMP	1				
022		GB00000058	SWITCH BOX COVER R	1				
023		GB00000138	SWITCH&CORD ASSY	1				
024		GB00000060	SQUARE NECK BOLT M6X42	1				
025		GB00000061	KNOB NUT M6	1				
026		GB00000061	KNOB NUT M6	1				
027		GB00000060	SQUARE NECK BOLT M6X42	1				
028		GB00000062	CORD CLIP	1				
029		GB00000063	LOWER HANDLE	1				
030		GB00000064	TENSION LEVER ASSY	1				
031		GB00000065	HANDLE FIX BLOCK	1				
032		GB00000066	TRAS HEAD TAPPING SCREW 4X8	2				
033		GB00000066	TRAS HEAD TAPPING SCREW 4X8	2				
034		GB00000065	HANDLE FIX BLOCK	1				
035		GB00000064	TENSION LEVER ASSY	1				
036		GB00000067	MULCHING PLUG	1				
037		GB00000068	CARRYNG HANDLE	1				
038		GB00000003	TAPPING SCREW ST4.2X15	3				
039		GB00000003	TAPPING SCREW ST4.2X15	8				
040		GB00000069	KEY	1				
041		GB00000070	INDICATOR UNIT MOUNT	1				
042		GB00000003	TAPPING SCREW ST4.2X15	1				
043		GB00000003	TAPPING SCREW ST4.2X15	2			Y08757	
043-1		GB00000158	FLANGED TAPPING SCREW ST4.2X15	2	>	Y08757		
044		GB00000071	BATTERY HOLDER	1				
045		GB00000072	RUBBER PIN 5.5X8.5	2				
047		GB00000074	BATTERY HOOD	1				
048		GB00000140	330MM LABEL	1				
050		GB00000077	BATTERY HOOD LOCK BUTTON	1				
051		GB00000078	COMPRESSION SPRING	2				
052		GB00000078	COMPRESSION SPRING	1				
053		GB00000079	BATTERY HOOD RATCHI	1				
054		GB00000080	BATTERY HOOD RATCHI FIX PLATE	1				
055		GB00000003	TAPPING SCREW ST4.2X15	2				
056		GB00000081	UPPER HOUSING ASSEMBLY	1				
	D10		INC. 57					
057		GB00000082	BATTERY INDICATOR LABEL	1				
058		GB00000083	TAPPING SCREW ST4.2X15 SILVER	2				
059		GB00000084	HEIGHT ADJUST GUIDE PLATE	1				
060		GB00000085	RUBBER SHEET FOR GUIDE PLATE	1				
061		GB00000003	TAPPING SCREW ST4.2X15	2				
062		GB00000057	CORD CLAMP	1				
063		GB00000086	DECK ASSEMBLY	1				
	D10		INC. 64-66					
064		GB00000087	SQUARE NUT M8	1				
065		GB00000087	SQUARE NUT M8	1				

Interchange
O : Yes
X : No
< : the new part can be substituted for the current.
> : the current part can be substituted for the new.
S : Interchangeable as a set.

