

# HIKOKI

## CORDLESS ROTARY HAMMER DH18DPC

Item No.	Code No.	Description	No. Used	Remarks
1	375363	GRIP SET	1	INCLUD. 2-7, 19
2	306345	FRONT CAP	1	
3	306340	STOPPER RING	1	
4	374436	GRIP	1	
5	374437	BALL HOLDER	1	
6	374435	HOLDER PLATE	1	
7	322812	HOLDER SPRING	1	
8		NAME PLATE	1	
9	335259	OIL SEAL	1	
10	6805BB	BALL BEARING 6805	1	
11	322789	PUSHING BUTTON	1	
12	317223	PUSHING SPRING	1	
13	334011	CHANGE LEVER	1	
14	878885	O-RING (S-18)	1	
15	376753	GEAR COVER ASS'Y	1	INCLUD. 17
16	335800	SPRING (E)	1	
17	608VVM	BALL BEARING 608VVC2PS2L	2	
18	374422	SHAFT HOLDER (B)	1	
19	335300	STEEL BALL D7.0 (10 PCS.)	1	
20	374426	CYLINDER	1	
21	335265	SECOND GEAR	1	
22	374430	SPRING (B)	1	
23	301679	WASHER (A)	1	
24	948310	RETAINING RING FOR D30 SHAFT	1	
25	335262	OIL SEAL (A)	1	
26	374431	HAMMER HOLDER (B)	1	
27	374427	HOLDER SLEEVE	1	
28	374432	SECOND HAMMER	1	
29	374429	HAMMER HOLDER (A)	1	
30	322805	DAMPER (A)	1	
31	322808	O-RING (C)	1	
32	324524	DAMPER HOLDER	1	
33	322807	STOPPER RING	1	
34	374443	STRIKER	1	
35	372816	O-RING	1	
36	372817	PISTON	1	
37	335793	PISTON PIN	1	
38	335794	PISTON WASHER	2	
39	374434	LOCK PLATE	1	
40	374440	SECOND PINION	1	
41	323182	CLUTCH SPRING	1	
42	375022	CLUTCH	1	
43	331315	WASHER	1	
44	374439	CHANGE PLATE (C)	1	
45	374438	SECOND SHAFT	1	
46	335249	RECIPROCATING BEARING	1	
47	374441	FIRST GEAR	1	
48	374442	BEARING WASHER	1	
49	335245	O-RING D72.2	1	
50	374433	INNER COVER	1	
51	322816	FELT PACKING	1	
52	322818	PACKING WASHER	1	
53	876796	O-RING (P-22)	1	

\* ALTERNATIVE PARTS

# HIKOKI

## CORDLESS ROTARY HAMMER DH18DPC

Item No.	Code No.	Description	No. Used	Remarks
54	376761	FAN GUIDE	1	
55	334008	AIR CAP	1	
56	324543	FELT PACKING (A)	1	
57	361153	ROTOR ASS'Y (A)	1	INCLUD. 58-61
58	608DDM	BALL BEARING 608DD	1	
59	982631	WASHER (A)	1	
60	377322	DUST WASHER	1	
61	371919	BALL BEARING 606VVMC3E	1	
62	376756	HOUSING (A). (B) SET	1	
63	376760	MESH	1	
64	322853	PUSHING BUTTON	1	
65	376759	CAP	1	
66	301654	TAPPING SCREW (W/FLANGE) D5X35	4	
67	301653	TAPPING SCREW (W/FLANGE) D4X20 (BLACK)	9	
68	376670	SWITCH	1	
69	377109	WIRING ASS'Y	1	INCLUD. 70
70	377323	BATTERY TERMINAL	1	
71	373041	REAR BUMPER	2	
72	373039	JOINT RUBBER	1	
73	377176	BATTERY RUBBER (B)	1	
74	376757	BATTERY HOUSING (A). (B) SET	1	
75	335790	BATTERY BSL 1850 (EUROPE, AUS, NZL)	2	INCLUD. 504
101	377175	NOZZLE SEAL	1	
102	370495	NOZZLE	1	
103	370496	BRUSH CAP	1	
104	370497	RETAINING RING D35	1	
105	307811	TAPPING SCREW (W/FLANGE) D4X16 (BLACK)	4	
106	306664	TAPPING SCREW (W/FLANGE) D4X40 (BLACK)	3	
107	370500	TAPPING SCREW D2.6	4	
108	370501	ADJUSTER	1	
109	370502	SPRING (A)	2	
110	370838	BUTTON (A) SET	1	
111	370504	ADJUSTMENT RAIL	1	
112	370509	BUTTON (B)	1	
113	370510	STOPPER	1	
114	370821	SPRING (E)	1	
115	376781	BUTTON (C)	1	
116	376782	SLIDE PIPE ASS'Y	1	INCLUD. 117, 118
117	376783	PACKING (A)	1	
118	376784	PACKING (B)	1	
119	376771	DUST HOUSING (A). (B) SET	1	
120	376772	DUST BOX ASS'Y	1	INCLUD. 121-123
121	376773	CYCLONE BOX COVER	1	
122	376775	CYCLONE PACKING	1	
123	376774	PIN D3X50	1	
124	376776	FILTER ASS'Y	1	INCLUD. 125-128
125	376778	FILTER COVER	1	
126	376779	FILTER	1	
127	376777	FILTER CASE	1	
128	376780	FILTER PACKING	1	
129	376765	ADAPTER ASS'Y	1	INCLUD. 130-134
130	376770	ADAPTER DAMPER (B)	2	
131	376769	ADAPTER DAMPER (A)	1	

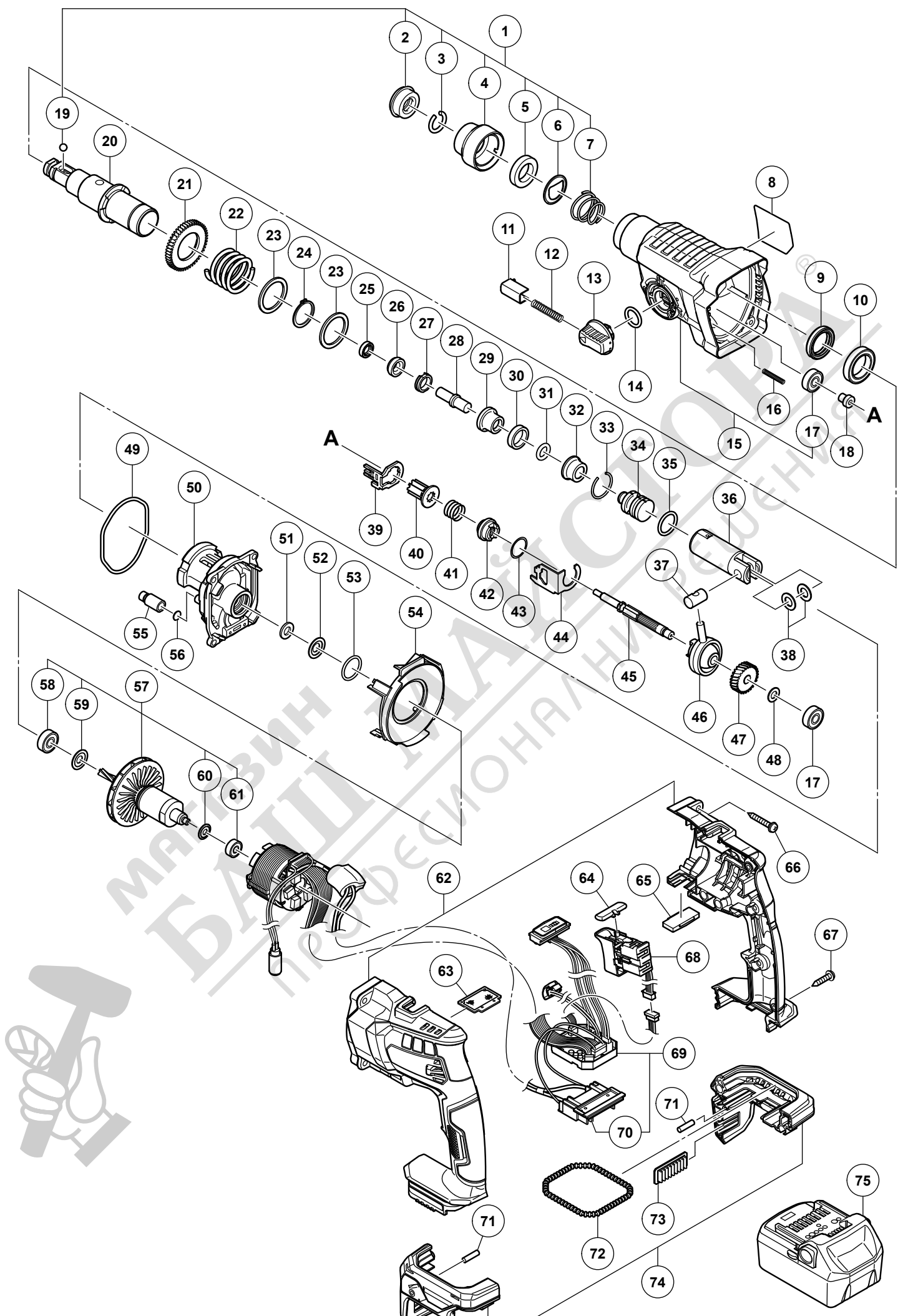
\* ALTERNATIVE PARTS

# HIKOKI

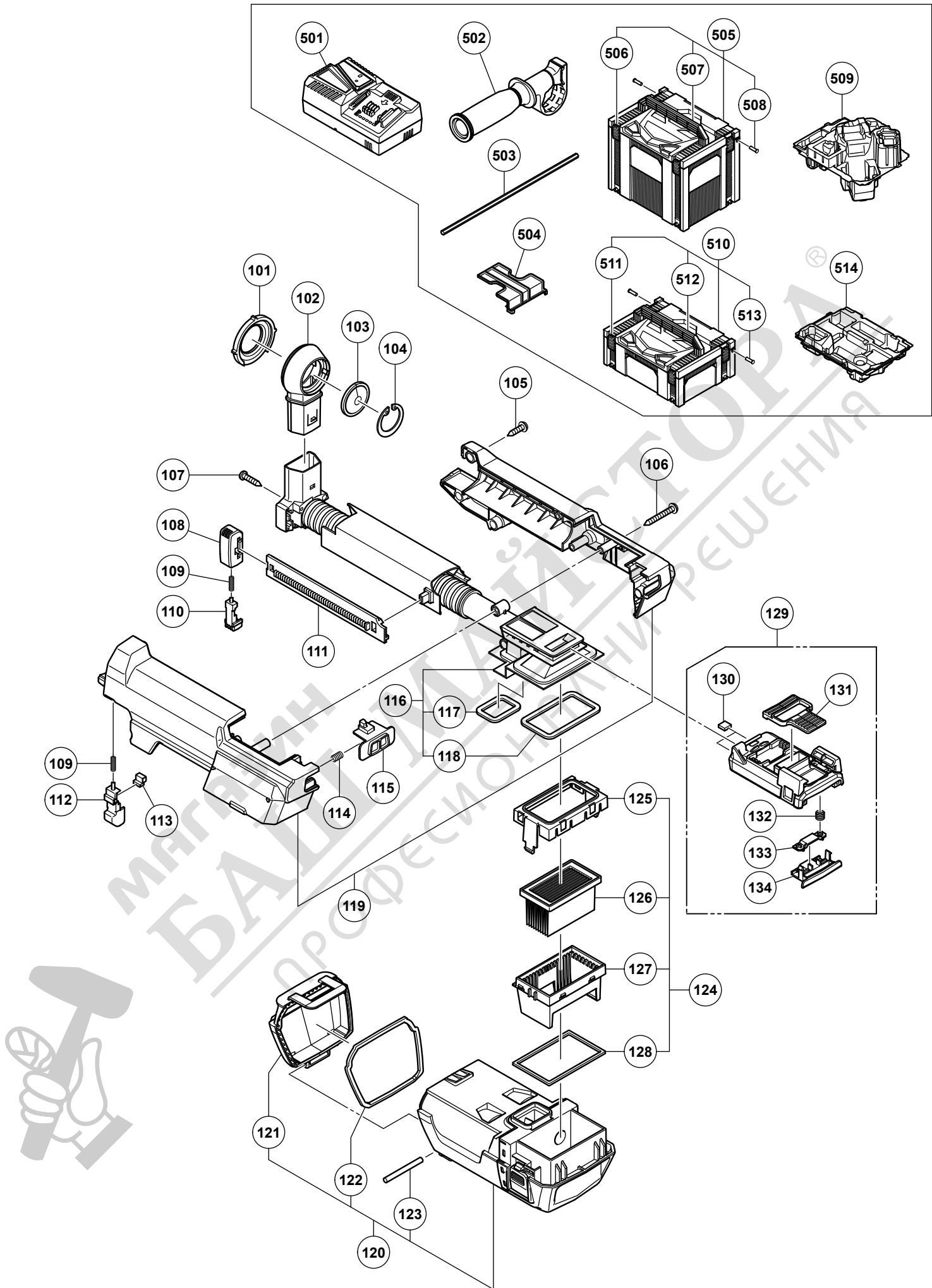
## CORDLESS ROTARY HAMMER DH18DPC

Item No.	Code No.	Description	No. Used	Remarks
132	376767	ADAPTER SPRING	2	
133	376768	SLIDER	1	
134	376766	ADAPTER COVER	1	
		STANDARD ACCESSORIES		
501		CHARGER (MODEL UC18YFSL)	1	
502	374447	SIDE HANDLE	1	
503	303709	DEPTH GAUGE	1	
504	329897	BATTERY COVER	1	
505	337528	CASE ASS'Y (STACKABLE 4)	1	INCLUD. 506-508
506	336472	LATCH	4	
507	336473	HANDLE	1	
508	336474	HINGE	2	
509	376763	INNER TRAY	1	
510	336471	CASE ASS'Y (STACKABLE 2)	1	INCLUD. 511-513
511	336472	LATCH	4	
512	336473	HANDLE	1	
513	336474	HINGE	2	
514	376764	INNER TRAY	1	
		OPTIONAL ACCESSORIES		
601	303332	HAMMER DRILL CHUCK SET 13MM	1	INCLUD. 602, 603
602	303334	CHUCK HANDLE	1	
603	303335	RUBBER CAP	1	
604	321825	DRILL CHUCK AND ADAPTER SET	1	INCLUD. 605, 606
605	303623	CHUCK ADAPTER (G) (SDS PLUS)	1	
606	321814	DRILL CHUCK 13VLRB-D	1	INCLUD. 607, 608
607	331966	FLAT HD. SCREW (LEFT HAND) M6X20	1	
608	987576	CHUCK WRENCH FOR 13VLB-D, 13VLR-D	1	
609	321813	DRILL CHUCK 13VLD-D	1	INCLUD. 602
610	971787	DUST CUP	1	
611	372200	HOOK	1	
612	373378	TRUSS HD. SCREW M4 (BLACK)	1	
613	931844	STOPPER	1	
614	971511Z	+ DRIVER BIT (A) NO.2 25L	1	
615	971512Z	+ DRIVER BIT (A) NO.3 25L	1	
617	306885	DUST COLLECTOR (B) ASS'Y	1	INCLUD. 618
618	306910	SOCKET ADAPTER (B)	1	
621	335782	GREASE FOR ROTARY HAMMER (60G)	1	
622	335781	GREASE FOR ROTARY HAMMER (500G)	1	
623	376971	DUST EXTRACTION UNIT (IN CARTON BOX)	1	
624	376972	DUST EXTRACTION UNIT (IN STACKABLE CASE)	1	

\* ALTERNATIVE PARTS



MODEL  
DH18DPC(1/2)



MODEL  
DH18DPC(2/2)