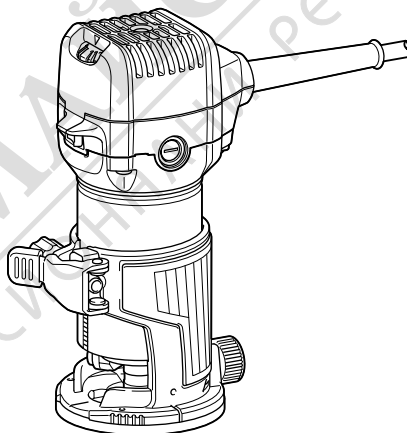


INSTRUCTION MANUAL

Trimmer RT0702C



МАГАЗИН МАСТОРА
БАШ ПРОФЕСИОНАЛНИ РЕШЕНИЯ



DOUBLE INSULATION



Read before use.

SPECIFICATIONS

Model:	RT0702C
Collet chuck capacity	6 mm, 8 mm, or 1/4"
No load speed	10,000 - 34,000 min ⁻¹
Overall height	210 mm
Net weight	1.8 - 2.8 kg
Safety class	□/II

- Due to our continuing program of research and development, the specifications herein are subject to change without notice.
- Specifications may differ from country to country.
- The weight may differ depending on the attachment(s). The lightest and heaviest combination, according to EPTA-Procedure 01/2014, are shown in the table.

Symbols

The followings show the symbols which may be used for the equipment. Be sure that you understand their meaning before use.



Read instruction manual.



Wear safety glasses.



DOUBLE INSULATION



Only for EU countries
Due to the presence of hazardous components in the equipment, used electrical and electronic equipment may have a negative impact on the environment and human health.
Do not dispose of electrical and electronic appliances with household waste!
In accordance with the European Directive on waste electrical and electronic equipment and its adaptation to national law, used electrical and electronic equipment should be collected separately and delivered to a separate collection point for municipal waste, operating in accordance with the environmental protection regulations.
This is indicated by the symbol of the crossed-out wheeled bin placed on the equipment.

Intended use

The tool is intended for flush trimming and profiling of wood, plastic and similar materials.

Power supply

The tool should be connected only to a power supply of the same voltage as indicated on the nameplate, and can only be operated on single-phase AC supply. They are double-insulated and can, therefore, also be used from sockets without earth wire.

Noise

The typical A-weighted noise level determined according to EN62841-2-17:

Sound pressure level ($L_{p(A)}$) : 82 dB(A)

Sound power level (L_{WA}) : 93 dB (A)

Uncertainty (K) : 3 dB(A)

NOTE: The declared noise emission value(s) has been measured in accordance with a standard test method and may be used for comparing one tool with another.

NOTE: The declared noise emission value(s) may also be used in a preliminary assessment of exposure.

⚠ WARNING: Wear ear protection.

⚠ WARNING: The noise emission during actual use of the power tool can differ from the declared value(s) depending on the ways in which the tool is used especially what kind of workpiece is processed.

⚠ WARNING: Be sure to identify safety measures to protect the operator that are based on an estimation of exposure in the actual conditions of use (taking account of all parts of the operating cycle such as the times when the tool is switched off and when it is running idle in addition to the trigger time).

Vibration

The vibration total value (tri-axial vector sum) determined according to EN62841-2-17:

Work mode: rotation without load

Vibration emission (a_{h1}) : 2.5 m/s² or less

Uncertainty (K) : 1.5 m/s²

NOTE: The declared vibration total value(s) has been measured in accordance with a standard test method and may be used for comparing one tool with another.

NOTE: The declared vibration total value(s) may also be used in a preliminary assessment of exposure.

⚠️WARNING: The vibration emission during actual use of the power tool can differ from the declared value(s) depending on the ways in which the tool is used especially what kind of workpiece is processed.

⚠️WARNING: Be sure to identify safety measures to protect the operator that are based on an estimation of exposure in the actual conditions of use (taking account of all parts of the operating cycle such as the times when the tool is switched off and when it is running idle in addition to the trigger time).

EC Declaration of Conformity

For European countries only

The EC declaration of conformity is included as Annex A to this instruction manual.

SAFETY WARNINGS

General power tool safety warnings

⚠️WARNING: Read all safety warnings, instructions, illustrations and specifications provided with this power tool. Failure to follow all instructions listed below may result in electric shock, fire and/or serious injury.

Save all warnings and instructions for future reference.

The term "power tool" in the warnings refers to your mains-operated (corded) power tool or battery-operated (cordless) power tool.

Work area safety

1. **Keep work area clean and well lit.** Cluttered or dark areas invite accidents.
2. **Do not operate power tools in explosive atmospheres, such as in the presence of flammable liquids, gases or dust.** Power tools create sparks which may ignite the dust or fumes.
3. **Keep children and bystanders away while operating a power tool.** Distractions can cause you to lose control.

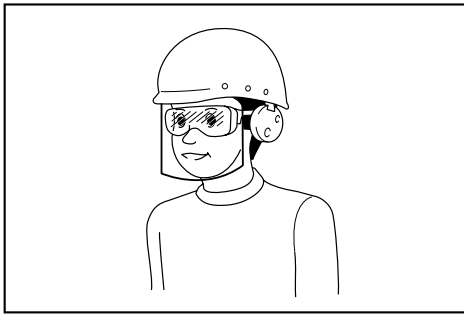
Electrical safety

1. **Power tool plugs must match the outlet. Never modify the plug in any way. Do not use any adapter plugs with earthed (grounded) power tools.** Unmodified plugs and matching outlets will reduce risk of electric shock.
2. **Avoid body contact with earthed or grounded surfaces, such as pipes, radiators, ranges and refrigerators.** There is an increased risk of electric shock if your body is earthed or grounded.
3. **Do not expose power tools to rain or wet conditions.** Water entering a power tool will increase the risk of electric shock.
4. **Do not abuse the cord. Never use the cord for carrying, pulling or unplugging the power tool. Keep cord away from heat, oil, sharp edges or moving parts.** Damaged or entangled cords increase the risk of electric shock.

5. **When operating a power tool outdoors, use an extension cord suitable for outdoor use.** Use of a cord suitable for outdoor use reduces the risk of electric shock.
6. **If operating a power tool in a damp location is unavoidable, use a residual current device (RCD) protected supply.** Use of an RCD reduces the risk of electric shock.
7. **Use of power supply via an RCD with a rated residual current of 30 mA or less is always recommended.**
8. **Power tools can produce electromagnetic fields (EMF) that are not harmful to the user.** However, users of pacemakers and other similar medical devices should contact the maker of their device and/or doctor for advice before operating this power tool.
9. **Do not touch the power plug with wet hands.**
10. **If the cord is damaged, have it replaced by the manufacturer or his agent in order to avoid a safety hazard.**

Personal safety

1. **Stay alert, watch what you are doing and use common sense when operating a power tool. Do not use a power tool while you are tired or under the influence of drugs, alcohol or medication.** A moment of inattention while operating power tools may result in serious personal injury.
2. **Use personal protective equipment. Always wear eye protection.** Protective equipment such as a dust mask, non-skid safety shoes, hard hat or hearing protection used for appropriate conditions will reduce personal injuries.
3. **Prevent unintentional starting. Ensure the switch is in the off-position before connecting to power source and/or battery pack, picking up or carrying the tool.** Carrying power tools with your finger on the switch or energising power tools that have the switch on invites accidents.
4. **Remove any adjusting key or wrench before turning the power tool on.** A wrench or a key left attached to a rotating part of the power tool may result in personal injury.
5. **Do not overreach. Keep proper footing and balance at all times.** This enables better control of the power tool in unexpected situations.
6. **Dress properly. Do not wear loose clothing or jewellery. Keep your hair and clothing away from moving parts.** Loose clothes, jewellery or long hair can be caught in moving parts.
7. **If devices are provided for the connection of dust extraction and collection facilities, ensure these are connected and properly used.** Use of dust collection can reduce dust-related hazards.
8. **Do not let familiarity gained from frequent use of tools allow you to become complacent and ignore tool safety principles.** A careless action can cause severe injury within a fraction of a second.
9. **Always wear protective goggles to protect your eyes from injury when using power tools. The goggles must comply with ANSI Z87.1 in the USA, EN 166 in Europe, or AS/NZS 1336 in Australia/New Zealand. In Australia/New Zealand, it is legally required to wear a face shield to protect your face, too.**



It is an employer's responsibility to enforce the use of appropriate safety protective equipments by the tool operators and by other persons in the immediate working area.

Power tool use and care

1. **Do not force the power tool. Use the correct power tool for your application.** The correct power tool will do the job better and safer at the rate for which it was designed.
2. **Do not use the power tool if the switch does not turn it on and off.** Any power tool that cannot be controlled with the switch is dangerous and must be repaired.
3. **Disconnect the plug from the power source and/or remove the battery pack, if detachable, from the power tool before making any adjustments, changing accessories, or storing power tools.** Such preventive safety measures reduce the risk of starting the power tool accidentally.
4. **Store idle power tools out of the reach of children and do not allow persons unfamiliar with the power tool or these instructions to operate the power tool.** Power tools are dangerous in the hands of untrained users.
5. **Maintain power tools and accessories. Check for misalignment or binding of moving parts, breakage of parts and any other condition that may affect the power tool's operation. If damaged, have the power tool repaired before use.** Many accidents are caused by poorly maintained power tools.
6. **Keep cutting tools sharp and clean.** Properly maintained cutting tools with sharp cutting edges are less likely to bind and are easier to control.
7. **Use the power tool, accessories and tool bits etc. in accordance with these instructions, taking into account the working conditions and the work to be performed.** Use of the power tool for operations different from those intended could result in a hazardous situation.
8. **Keep handles and grasping surfaces dry, clean and free from oil and grease.** Slippery handles and grasping surfaces do not allow for safe handling and control of the tool in unexpected situations.
9. **When using the tool, do not wear cloth work gloves which may be entangled.** The entanglement of cloth work gloves in the moving parts may result in personal injury.

Service

1. **Have your power tool serviced by a qualified repair person using only identical replacement parts.** This will ensure that the safety of the power tool is maintained.
2. **Follow instruction for lubricating and changing accessories.**

Trimmer safety warnings

1. **Hold the power tool by insulated gripping surfaces only, because the cutter may contact its own cord.** Cutting a "live" wire may make exposed metal parts of the power tool "live" and could give the operator an electric shock.
2. **Use clamps or another practical way to secure and support the workpiece to a stable platform.** Holding the work by your hand or against the body leaves it unstable and may lead to loss of control.
3. **The trimmer bit shank must match the designed collet chuck.**
4. **Only use a trimmer bit that is rated at least equal to the maximum speed marked on the tool.**
5. **Wear hearing protection during extended period of operation.**
6. **Handle the trimmer bits very carefully.**
7. **Check the trimmer bit carefully for cracks or damage before operation. Replace cracked or damaged bit immediately.**
8. **Avoid cutting nails. Inspect for and remove all nails from the workpiece before operation.**
9. **Hold the tool firmly.**
10. **Keep hands away from rotating parts.**
11. **Make sure the trimmer bit is not contacting the workpiece before the switch is turned on.**
12. **Before using the tool on an actual workpiece, let it run for a while. Watch for vibration or wobbling that could indicate improperly installed bit.**
13. **Be careful of the trimmer bit rotating direction and the feed direction.**
14. **Do not leave the tool running. Operate the tool only when hand-held.**
15. **Always switch off and wait for the trimmer bit to come to a complete stop before removing the tool from workpiece.**
16. **Do not touch the trimmer bit immediately after operation; it may be extremely hot and could burn your skin.**
17. **Do not smear the base carelessly with thinner, gasoline, oil or the like. They may cause cracks in the base.**
18. **Some material contains chemicals which may be toxic. Take caution to prevent dust inhalation and skin contact. Follow material supplier safety data.**
19. **Always use the correct dust mask/respirator for the material and application you are working with.**
20. **Place the tool on stable area. Otherwise falling accident may occur and cause an injury.**

SAVE THESE INSTRUCTIONS.

⚠ WARNING: DO NOT let comfort or familiarity with product (gained from repeated use) replace strict adherence to safety rules for the subject product. **MISUSE** or failure to follow the safety rules stated in this instruction manual may cause serious personal injury.

FUNCTIONAL DESCRIPTION

CAUTION: Always be sure that the tool is switched off and unplugged before adjusting or checking function on the tool.

Adjusting trimmer bit protrusion

To adjust the bit protrusion, open the locking lever and move the base up or down as desired by turning the adjusting screw. After adjusting, close the locking lever firmly to secure the base.

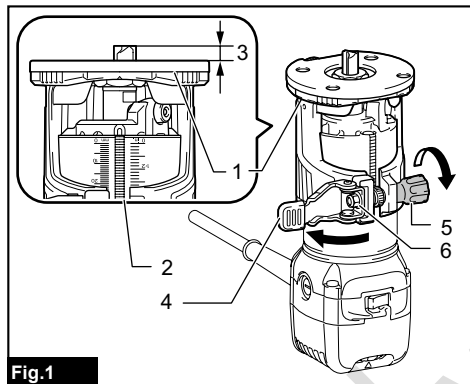


Fig.1

- 1. Base 2. Scale 3. Bit protrusion 4. Locking lever
5. Adjusting screw 6. Hex nut

NOTE: When the tool is not secured even if the locking lever is closed, tighten the hex nut and then close the locking lever.

Switch action

CAUTION: Before plugging in the tool, always be sure that the tool is switched off.

To start the tool, press the I side of the switch. To stop the tool, press the O side of the switch.

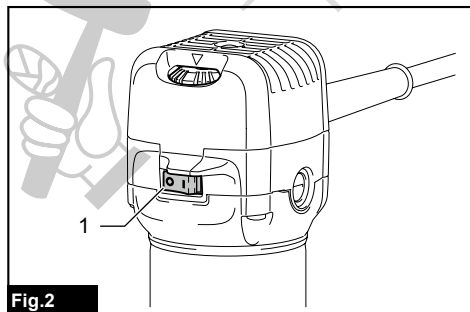


Fig.2

- 1. Switch

Electronic function

The tool is equipped with the electronic functions for easy operation.

Indication lamp

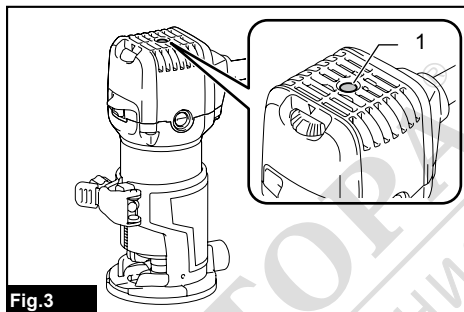


Fig.3

- 1. Indication lamp

The indication lamp lights up green when the tool is plugged. If the indication lamp does not light up, the mains cord or the controller may be defective. The indication lamp is lit but the tool does not start even if the tool is switched on, the carbon brushes may be worn out, or the controller, the motor or the ON/OFF switch may be defective.

Unintentional restart proof

The tool does not start with the I side of the switch pressed even when the tool is plugged. At this time, the indication lamp blinks in red and shows the unintentional restart proof device is on function. To cancel the unintentional restart proof, press the O side of the switch.

Soft start feature

Soft-start feature minimizes start-up shock, and makes the tool start smoothly.

Constant speed control

Electronic speed control for obtaining constant speed. Possible to get fine finish, because the rotating speed is kept constant even under the loaded condition.

Speed adjusting dial

⚠ WARNING: Do not use the speed adjusting dial during operation. The trimmer bit can be touched by the operator because of reaction force. This may result in personal injury.

⚠ CAUTION: If the tool is operated continuously at low speeds for a long time, the motor will get overloaded, resulting in tool malfunction.

⚠ CAUTION: The speed adjusting dial can be turned only as far as 6 and back to 1. Do not force it past 6 or 1, or the speed adjusting function may no longer work.

The tool speed can be changed by turning the speed adjusting dial to a given number setting from 1 to 6.

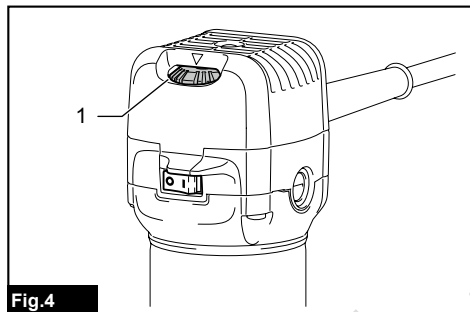


Fig.4

► 1. Speed adjusting dial

Higher speed is obtained when the speed adjusting dial is turned in the direction of number 6. And lower speed is obtained when it is turned in the direction of number 1.

This allows the ideal speed to be selected for optimum material processing, i.e. the speed can be correctly adjusted to suit the material and bit diameter.

Refer to the table for the relationship between the number settings on the dial and the approximate tool speed.

Number	min ⁻¹
1	10,000
2	12,000
3	17,000
4	22,000
5	27,000
6	34,000

ASSEMBLY

⚠ CAUTION: Always be sure that the tool is switched off and unplugged before carrying out any work on the tool.

Installing or removing trimmer bit

⚠ CAUTION: Do not tighten the collet nut without inserting a trimmer bit, or the collet cone will break.

⚠ CAUTION: Use only the wrenches provided with the tool.

There are two ways to install the trimmer bit. Perform either way.

With two wrenches

Insert the trimmer bit all the way into the collet cone and tighten the collet nut securely with one wrench while holding the neck with the other wrench.

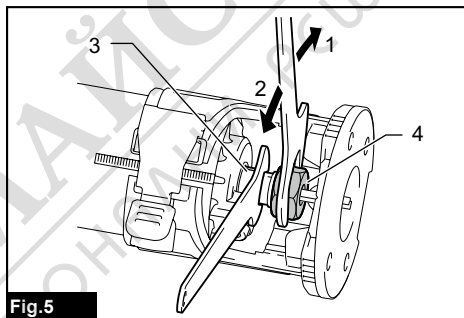


Fig.5

► 1. Tighten 2. Loosen 3. Neck 4. Collet nut

With one wrench

Insert the trimmer bit all the way into the collet cone and tighten the collet nut securely with the wrench while pressing the shaft lock.

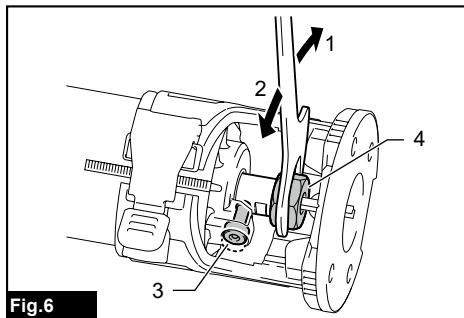


Fig.6

► 1. Tighten 2. Loosen 3. Shaft lock 4. Collet nut

To remove the trimmer bit, follow the installation procedure in reverse.

Changing the collet cone

CAUTION: Use the correct size collet cone for the trimmer bit which you intended to use.

CAUTION: Do not tighten the collet nut without installing a trimmer bit, or the collet cone may break.

1. Loosen the collet nut and remove.
2. Replace the installed collet cone with desired collet cone.
3. Reinstall collet nut.

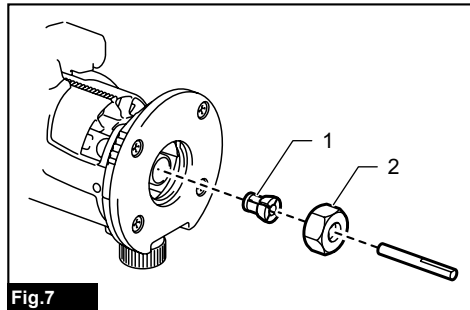


Fig.7

- 1. Collet cone 2. Collet nut

OPERATION

CAUTION: Always hold the tool firmly with one hand on housing. Do not touch the metal part.

For the base

WARNING: Before using the tool with the base, always install the dust nozzle on the base.

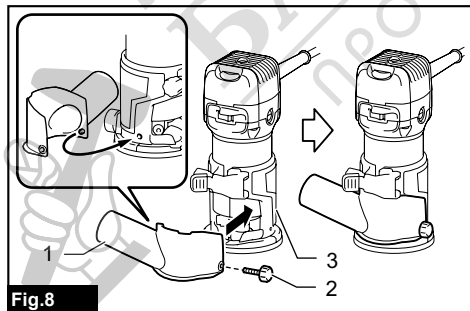


Fig.8

1. Set the base on the workpiece to be cut without the trimmer bit making any contact.
2. Turn the tool on and wait until the trimmer bit attains full speed.

3. Move the tool forward over the workpiece surface, keeping the base flush and advancing smoothly until the cutting is complete.

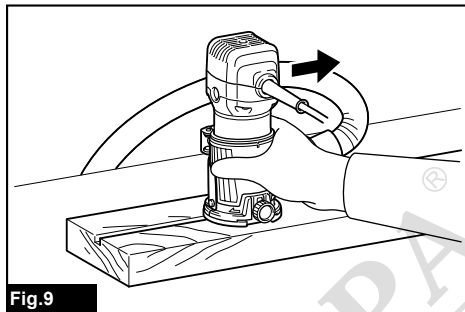


Fig.9

When doing edge cutting, the workpiece surface should be on the left side of the trimmer bit in the feed direction.

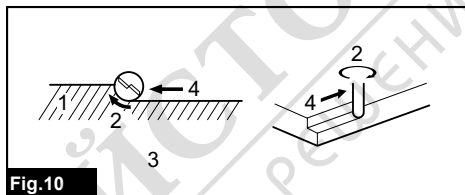


Fig.10

- 1. Workpiece 2. Bit revolving direction 3. View from the top of the tool 4. Feed direction

When using the straight guide or the trimmer guide, be sure to keep it on the right side in the feed direction. This will help to keep it flush with the side of the workpiece.

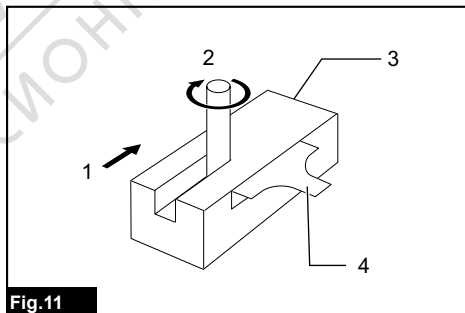


Fig.11

- 1. Feed direction 2. Bit revolving direction 3. Workpiece 4. Straight guide

NOTE: Moving the tool forward too fast may cause a poor quality of cut, or damage to the trimmer bit or motor. Moving the tool forward too slowly may burn and mar the cut. The proper feed rate will depend on the bit size, the kind of workpiece and depth of cut. Before beginning the cut on the actual workpiece, it is advisable to make a sample cut on a piece of scrap lumber. This will show exactly how the cut will look as well as enable you to check dimensions.

CAUTION: Since excessive cutting may cause overload of the motor or difficulty in controlling the tool, the depth of cut should not be more than 3 mm at a pass when cutting grooves. When you wish to cut grooves more than 3 mm deep, make several passes with progressively deeper bit settings.

Base (resin)

Optional accessory

You can use the base (resin) as an optional accessory as shown in the figure.

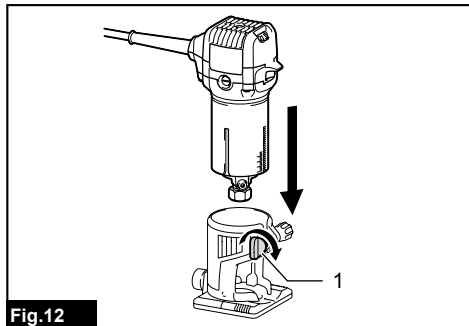


Fig.12

- 1. Clamping screw

Place the tool onto the base (resin) and tighten the clamping screw at the desired protrusion of the trimmer bit. For the operation procedures, refer to the operation for the base.

Templet guide

Optional accessory

The templet guide provides a sleeve through which the trimmer bit passes, allowing use of the trimmer with templet patterns.

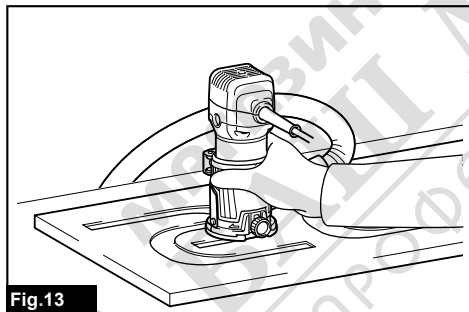


Fig.13

1. Loosen the screws and remove the base protector.

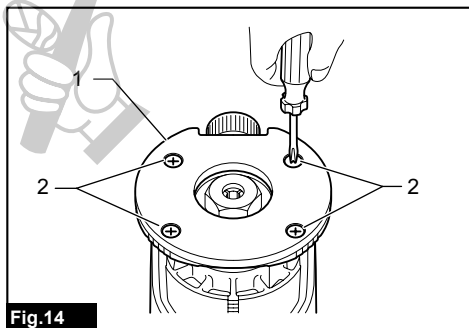


Fig.14

- 1. Base protector 2. Screws

2. Place the templet guide on the base, and place the base protector again. Then secure the base protector by tightening the screws.

3. Secure the templet to the workpiece. Place the tool on the templet and move the tool with the templet guide sliding along the side of the templet.

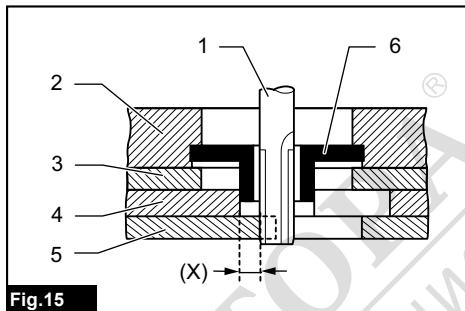


Fig.15

- 1. Trimmer bit 2. Base 3. Base protector 4. Templet 5. Workpiece 6. Templet guide

NOTE: The workpiece will be cut a slightly different size from the templet. Allow for the distance (X) between the trimmer bit and the outside of the templet guide. The distance (X) can be calculated by using the following equation:

Distance (X) = (outside diameter of the templet guide - trimmer bit diameter) / 2

Straight guide

Optional accessory

The straight guide is effectively used for straight cuts when chamfering or grooving.

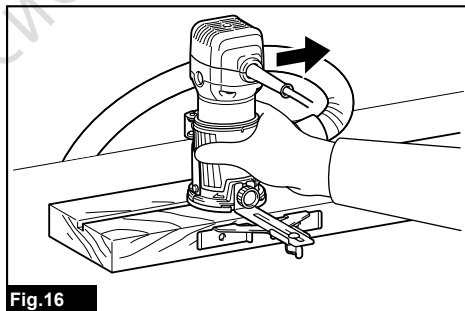


Fig.16

1. Attach the guide plate to the straight guide with the bolt and the wing nut.

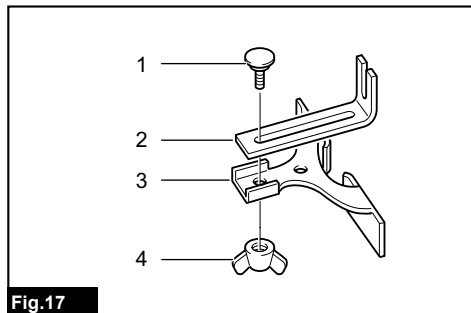


Fig.17

- 1. Bolt 2. Guide plate 3. Straight guide 4. Wing nut

2. Attach the straight guide assembly with the clamping screw.

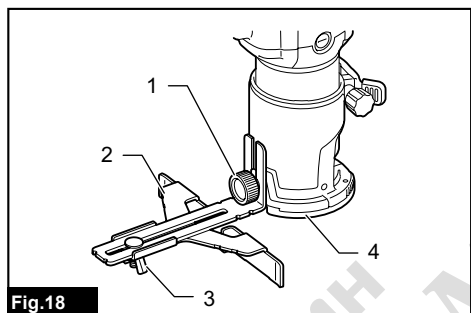


Fig.18

- 1. Clamping screw 2. Straight guide 3. Wing nut 4. Base

3. Loosen the wing nut on the straight guide assembly and adjust the distance between the trimmer bit and the straight guide. At the desired distance, tighten the wing nut securely.

4. When cutting, move the tool with the straight guide flush with the side of the workpiece.

If the distance between the side of the workpiece and the cutting position is too wide for the straight guide, or if the side of the workpiece is not straight, the straight guide cannot be used. In this case, firmly clamp a straight board to the workpiece and use it as a guide against the trimmer base. Feed the tool in the direction of the arrow.

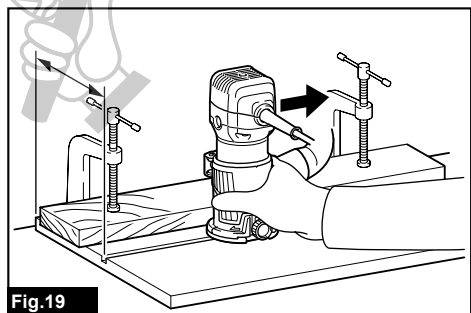


Fig.19

Circular work

Circular work may be accomplished if you assemble the straight guide and guide plate as shown in the figures. Min. and max. radius of circles to be cut (distance between the center of circle and the center of trimmer bit) are as follows:
Min.: 70 mm
Max.: 221 mm

For cutting circles between 70 mm and 121 mm in radius

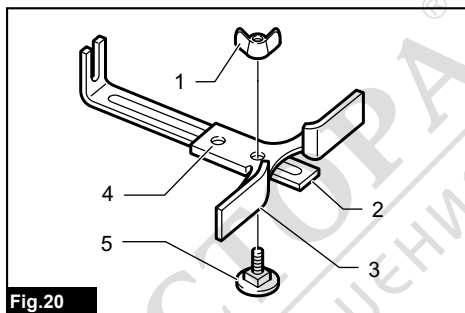


Fig.20

- 1. Wing nut 2. Guide plate 3. Straight guide 4. Center hole 5. Bolt

For cutting circles between 121 mm and 221 mm in radius

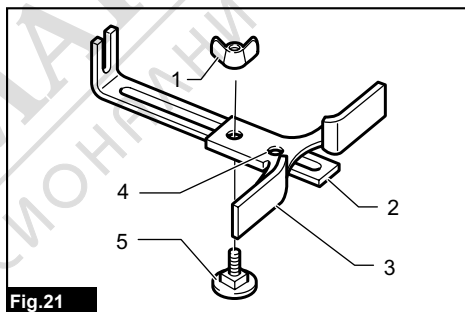


Fig.21

- 1. Wing nut 2. Guide plate 3. Straight guide 4. Center hole 5. Bolt

NOTE: Circles between 172 mm and 186 mm in radius cannot be cut using this guide.

1. Align the center hole in the straight guide with the center of the circle to be cut.

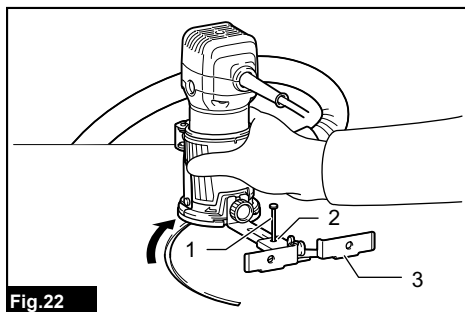


Fig.22

- 1. Nail 2. Center hole 3. Straight guide

2. Drive a nail less than 6 mm in diameter into the center hole to secure the straight guide.
3. Pivot the tool around the nail in clockwise direction.

Trimmer guide

Optional accessory

Trimming, curved cuts in veneers for furniture and the like can be done easily with the trimmer guide. The guide roller rides the curve and assures a fine cut.

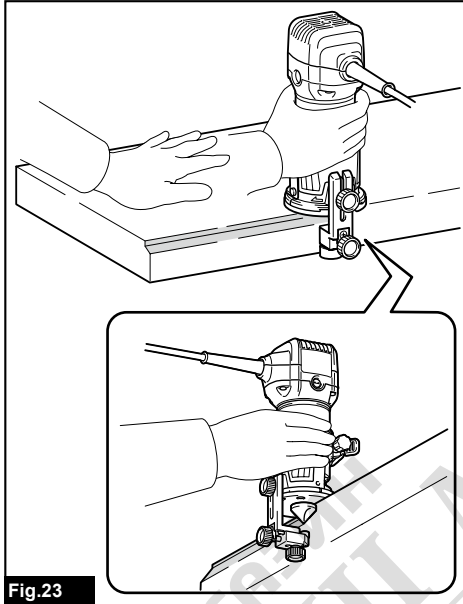


Fig.23

1. Install the trimmer guide and guide holder on the base with the clamping screw (A).
2. Loosen the clamping screw (B) and adjust the distance between the trimmer bit and the trimmer guide by turning the adjusting screw (1 mm per turn). At the desired distance, tighten the clamping screw (B) to secure the trimmer guide in place.

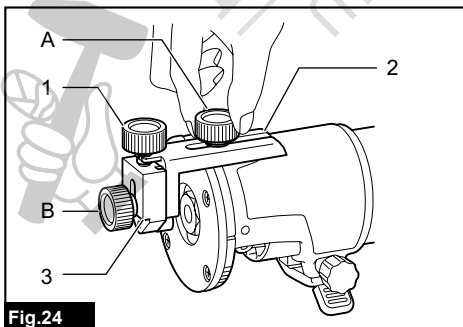


Fig.24

- 1. Adjusting screw 2. Guide holder 3. Trimmer guide

3. When cutting, move the tool with the guide roller riding the side of the workpiece.

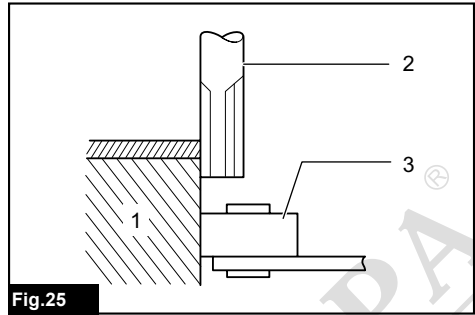


Fig.25

- 1. Workpiece 2. Trimmer bit 3. Guide roller

Tilt base

Optional accessory

The tilt base is used for trimming the edge of laminate sheet or similar materials.

The tilt base is convenient for chamfering.

1. Place the tool onto the tilt base, loosen the clamping screws, and tilt the tool at the desired angle.
2. Close the locking lever at the desired protrusion of the trimmer bit, and tighten the clamping screws at the desired angle.
3. Firmly clamp a straight board to the workpiece and use it as a guide against the tilt base. Feed the tool in the direction of the arrow.

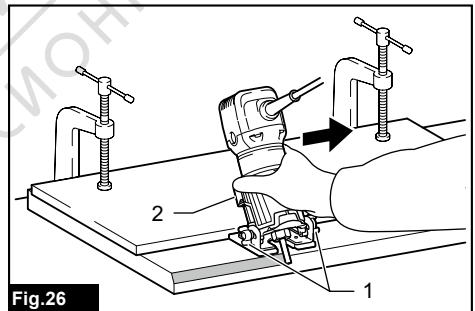


Fig.26

- 1. Clamping screws 2. Locking lever

Using the tilt base protector with the base

The tilt base protector (square) removed from the tilt base can be mounted on the base. The shape of the base protector can be changed from round to square.

1. Remove the tilt base protector from the tilt base by loosening and removing the four screws.
2. Mount the tilt base protector on the base.

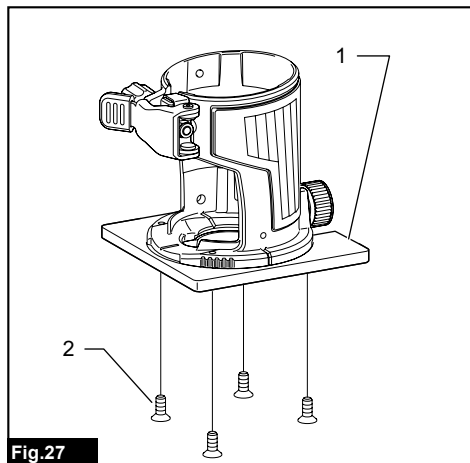


Fig.27

- 1. Tilt base protector 2. Screw

Offset base

Optional accessory

The offset base is used for trimming the edge of laminate sheet or similar materials. The offset base is convenient for work in a tight area.

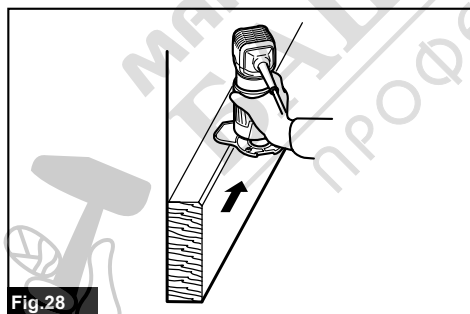


Fig.28

Using the tool with the offset base

1. Before installing the tool on the offset base, remove the collet nut and collet cone by loosening the collet nut.

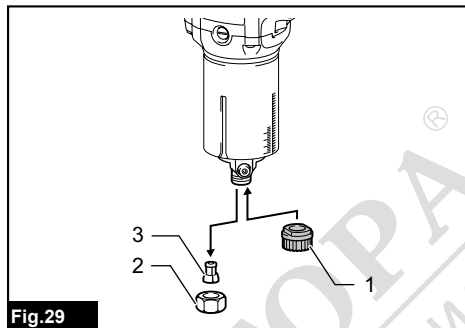


Fig.29

- 1. Pulley 2. Collet nut 3. Collet cone

2. Install the pulley on the tool by pressing the shaft lock and firmly tightening the pulley with a wrench.

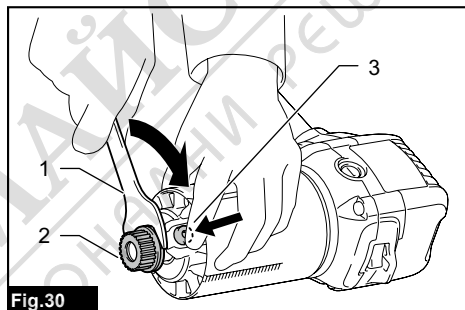


Fig.30

- 1. Wrench 2. Pulley 3. Shaft lock

3. Place the collet cone and screw the collet nut on the offset base as shown in the figure.

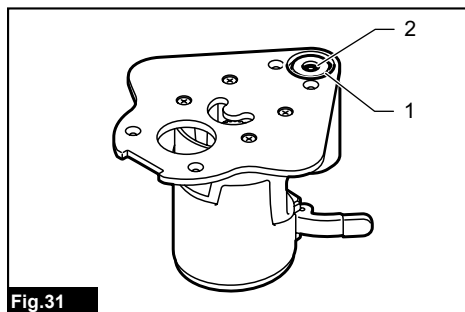


Fig.31

- 1. Collet nut 2. Collet cone

4. Mount the offset base on the tool.

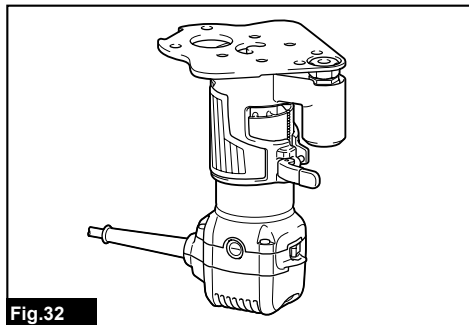


Fig.32

5. Hook the belt over the pulley using a screwdriver and make sure that its entire belt width fits over the pulley completely.

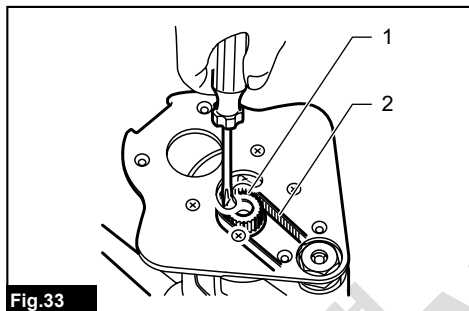


Fig.33

- 1. Pulley 2. Belt

6. Close the locking lever.

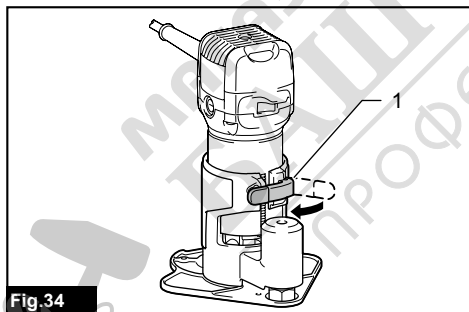


Fig.34

- 1. Locking lever

7. Install the trimmer bit as follows.

Lay down the tool with the offset base. Insert the hex wrench into the hole in the offset base.

With the hex wrench held in the position as shown in the figure, insert the trimmer bit into the collet cone on the shaft of the offset base from the opposite side and tighten the collet nut firmly with a wrench.

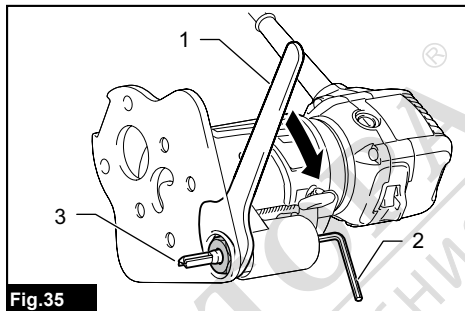


Fig.35

- 1. Wrench 2. Hex wrench 3. Trimmer bit

8. To remove the trimmer bit, follow the installation procedure in reverse.

Using the base with the offset base plate and grip attachment

The offset base can also be used with a base and a grip attachment (optional accessory) for more stability.

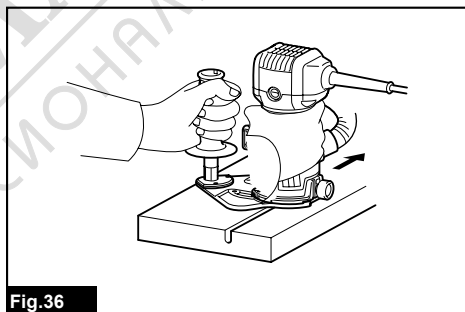


Fig.36

1. Loosen the screws and remove the upper section from the offset base. Put aside the upper section of the offset base.

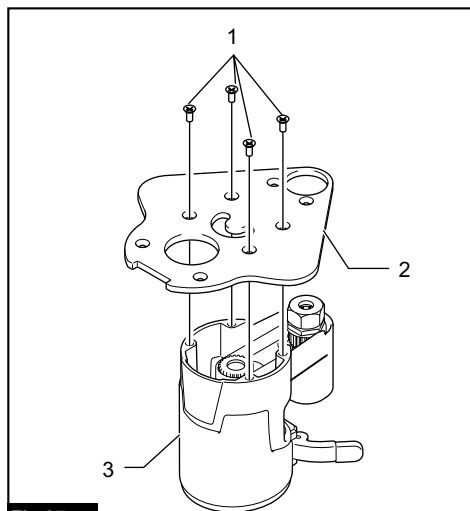


Fig.37

- 1. Screws 2. Offset base plate 3. Upper section of the offset base

2. Mount the offset base plate with four screws and the grip attachment with two screws on the offset base plate. Screw a bar type grip (optional accessory) onto the grip attachment. In another way of use, the knob type grip which is removed on a plunge base (optional accessory) can be installed on the grip attachment. To install the knob type grip, place it on the grip attachment and secure it with a screw.

With bar type grip

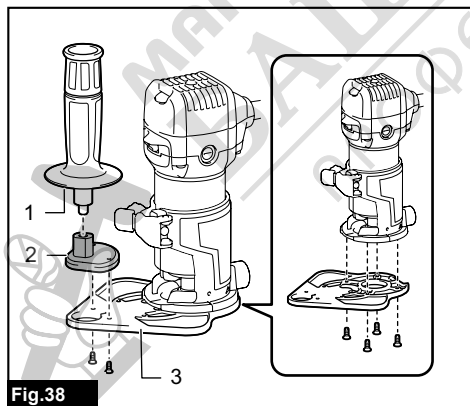


Fig.38

- 1. Bar type grip 2. Grip attachment 3. Offset base plate

With knob type grip

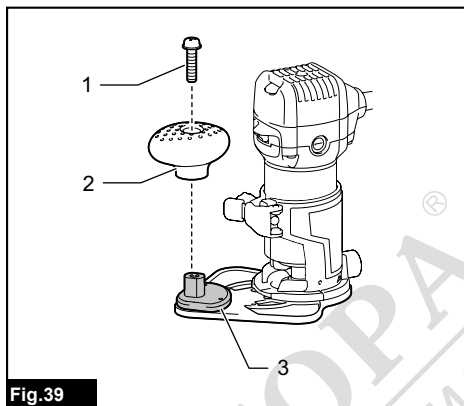


Fig.39

- 1. Screw 2. Knob type grip 3. Grip attachment

Using the tool with the plunge base

Optional accessory

▲ CAUTION: When using as a router, hold the tool firmly with both hands.

1. To use the tool as a router, install the tool on a plunge base (optional accessory) by pressing it down fully. Either knob type grip or bar type grip (optional accessory) can be used according to your work.

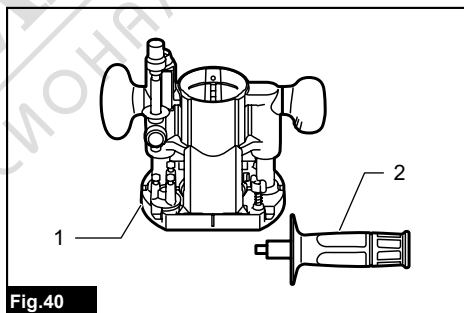


Fig.40

- 1. Plunge base 2. Bar type grip

- To use the bar type grip (optional accessory), loosen the screw and remove the knob type grip.

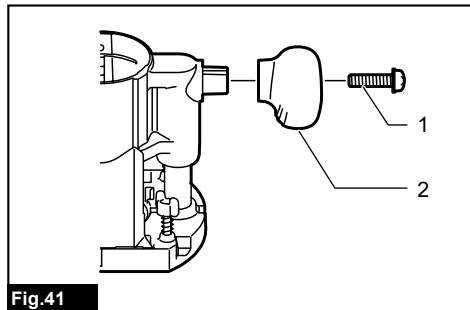


Fig. 41

- Screw
- Knob type grip

- Screw the bar type grip on the base.

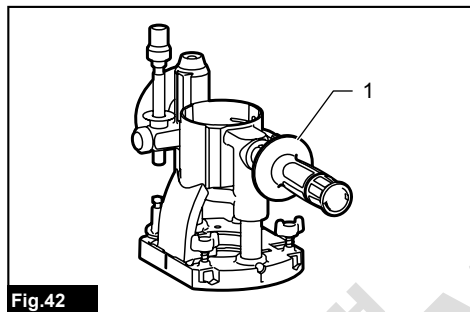


Fig. 42

- Bar type grip

Adjusting the depth of cut when using the plunge base (optional accessory)

CAUTION: Always hold the tool firmly by both grips during operation.

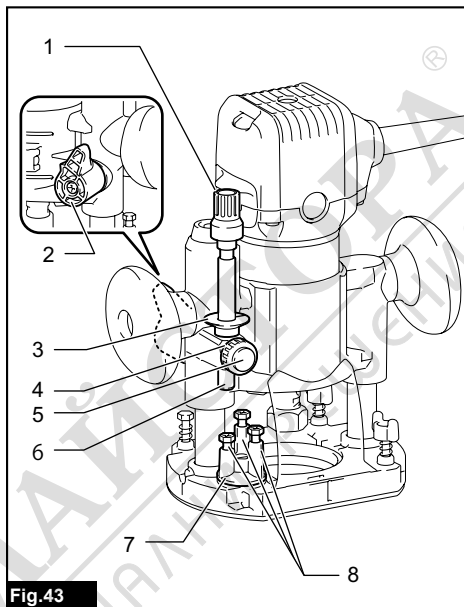


Fig. 43

- Adjusting knob
- Lock lever
- Depth pointer
- Stopper pole setting nut
- Fast-feed button
- Stopper pole
- Stopper block
- Adjusting hex bolt

- Place the tool on a flat surface. Loosen the lock lever and lower the tool body until the trimmer bit just touches the flat surface. Tighten the lock lever to lock the tool body.
- Turn the stopper pole setting nut counterclockwise. Lower the stopper pole until it makes contact with the adjusting hex bolt. Align the depth pointer with the "0" graduation. The depth of cut is indicated on the scale by the depth pointer.
- While pressing the fast-feed button, raise the stopper pole until the desired depth of cut is obtained. Minute depth adjustments can be obtained by turning the adjusting knob (1 mm per turn).
- By turning the stopper pole setting nut clockwise, you can fasten the stopper pole firmly.
- Now, your predetermined depth of cut can be obtained by loosening the lock lever and then lowering the tool body until the stopper pole makes contact with the adjusting bolt of the stopper block.
- Set the base on the workpiece to be cut without the trimmer bit making any contact.
- Turn the tool on and wait until the trimmer bit attains full speed.

8. Lower the tool body and move the tool forward over the workpiece surface, keeping the base flush and advancing smoothly until the cutting is complete.

When doing edge cutting, the workpiece surface should be on the left side of the trimmer bit in the feed direction.

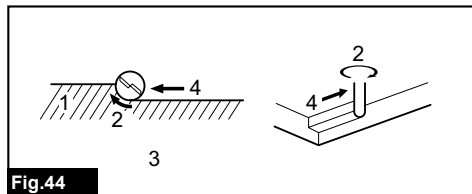


Fig.44

► 1. Workpiece 2. Bit revolving direction 3. View from the top of the tool 4. Feed direction

When using the straight guide or the trimmer guide, be sure to keep it on the right side in the feed direction. This will help to keep it flush with the side of the workpiece.

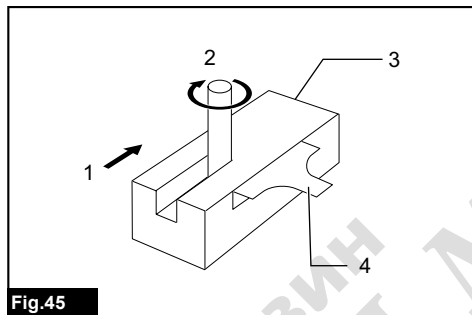


Fig.45

► 1. Feed direction 2. Bit revolving direction 3. Workpiece 4. Straight guide

NOTE: Moving the tool forward too fast may cause a poor quality of cut, or damage to the trimmer bit or motor. Moving the tool forward too slowly may burn and mar the cut. The proper feed rate will depend on the bit size, the kind of workpiece and depth of cut. Before beginning the cut on the actual workpiece, it is advisable to make a sample cut on a piece of scrap lumber. This will show exactly how the cut will look as well as enable you to check dimensions.

Straight guide for guide holder

Optional accessory

The straight guide is effectively used for straight cuts when chamfering or grooving.

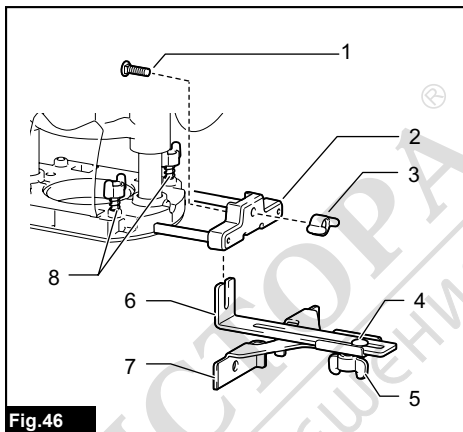


Fig.46

► 1. Bolt 2. Guide holder 3. Wing nut (A) 4. Bolt 5. Wing nut (B) 6. Guide plate 7. Straight guide 8. Wing bolts

1. Install the straight guide assembly on the guide holder (optional accessory) with the bolt and wing nut (A).
2. Insert the guide holder into the holes in the plunge base and tighten the wing bolts.
3. To adjust the distance between the trimmer bit and the straight guide, loosen the wing nut (B). At the desired distance, tighten the wing nut (B) to secure the straight guide in place.

Straight guide

Optional accessory

The straight guide is effectively used for straight cuts when chamfering or grooving.

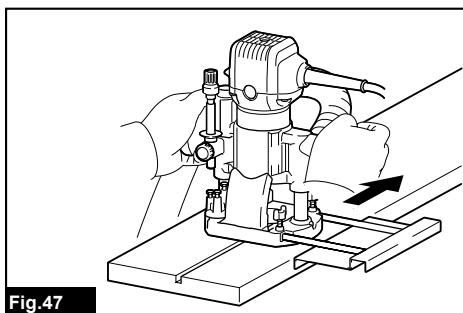


Fig.47

1. Insert the guide bars into the holes in the plunge base.

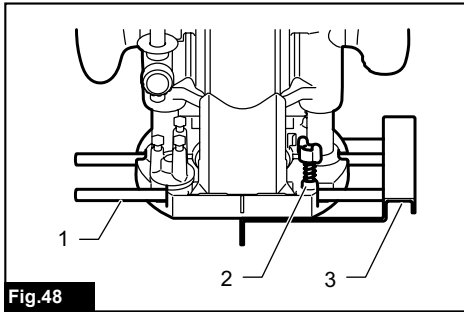


Fig.48

- 1. Guide bar 2. Wing nut 3. Straight guide

2. Adjust the distance between the trimmer bit and the straight guide. At the desired distance, tighten the wing nuts to secure the straight guide in place.
3. When cutting, move the tool with the straight guide flush with the side of the workpiece.

If the distance between the side of the workpiece and the cutting position is too wide for the straight guide, or if the side of the workpiece is not straight, the straight guide cannot be used. In this case, firmly clamp a straight board to the workpiece and use it as a guide against the router base. Feed the tool in the direction of the arrow.

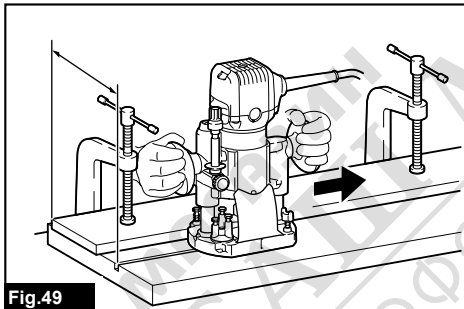


Fig.49

Templet guide

Optional accessory

The templet guide provides a sleeve through which the trimmer bit passes, allowing use of the trimmer with templet patterns.

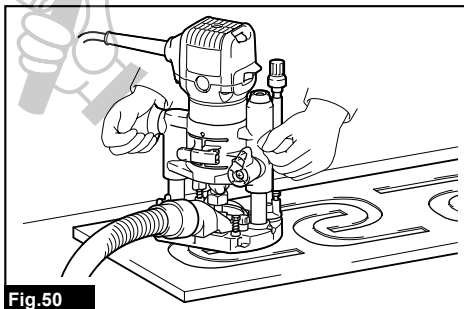


Fig.50

1. Loosen the screws on the tool base, insert the templet guide and then tighten the screws.

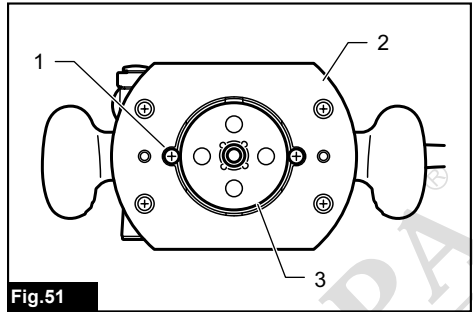


Fig.51

- 1. Screw 2. Base 3. Templet guide

2. Secure the templet to the workpiece. Place the tool on the templet and move the tool with the templet guide sliding along the side of the templet.

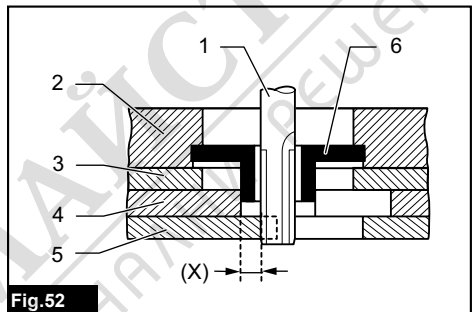


Fig.52

- 1. Trimmer bit 2. Base 3. Base protector 4. Templet 5. Workpiece 6. Templet guide

NOTE: The workpiece will be cut a slightly different size from the templet. Allow for the distance (X) between the trimmer bit and the outside of the templet guide. The distance (X) can be calculated by using the following equation:

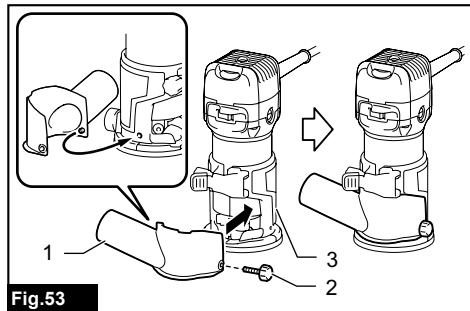
$$\text{Distance (X)} = (\text{outside diameter of the templet guide} - \text{trimmer bit diameter}) / 2$$

Dust nozzle sets

Use the dust nozzle for dust extraction.

For the base

Install the dust nozzle on the tool base using the thumb screw.

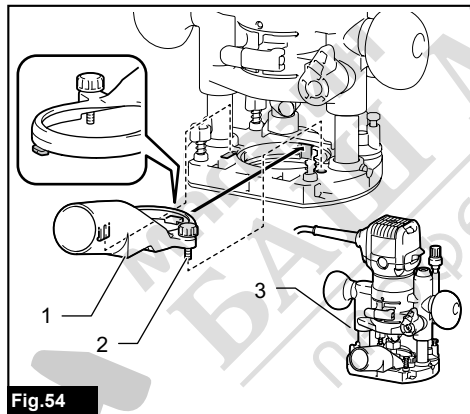


► 1. Dust nozzle 2. Thumb screw 3. Base

For the plunge base

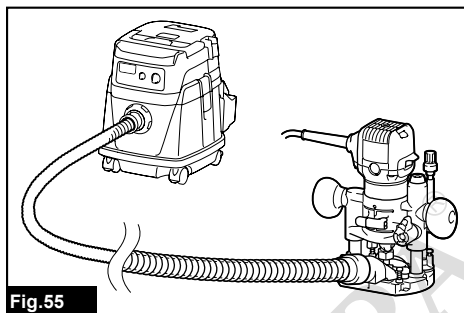
Optional accessory

1. Install the dust nozzle on the plunge base using the thumb screw so that protrusion on the dust nozzle fit to the notch in the plunge base.



► 1. Dust nozzle 2. Thumb screw 3. Plunge base

2. Connect a vacuum cleaner to the dust nozzle.



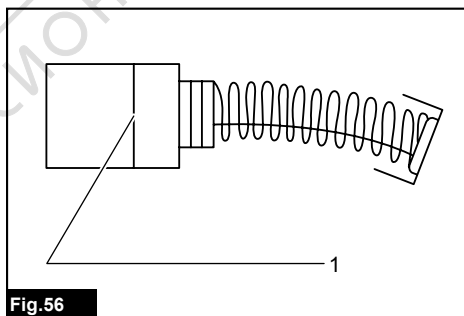
MAINTENANCE

CAUTION: Always be sure that the tool is switched off and unplugged before attempting to perform inspection or maintenance.

NOTICE: Never use gasoline, benzine, thinner, alcohol or the like. Discoloration, deformation or cracks may result.

To maintain product SAFETY and RELIABILITY, repairs, any other maintenance or adjustment should be performed by Makita Authorized or Factory Service Centers, always using Makita replacement parts.

Replacing carbon brushes



► 1. Limit mark

Check the carbon brushes regularly. Replace them when they wear down to the limit mark. Keep the carbon brushes clean and free to slip in the holders. Both carbon brushes should be replaced at the same time. Use only identical carbon brushes.

1. Use a screwdriver to remove the brush holder caps.

2. Take out the worn carbon brushes, insert the new ones and secure the brush holder caps.

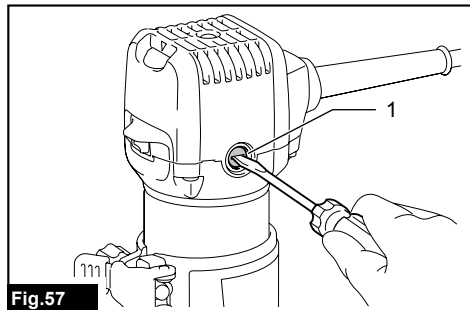


Fig.57

- 1. Brush holder cap

OPTIONAL ACCESSORIES

CAUTION: These accessories or attachments are recommended for use with your Makita tool specified in this manual. The use of any other accessories or attachments might present a risk of injury to persons. Only use accessory or attachment for its stated purpose.

If you need any assistance for more details regarding these accessories, ask your local Makita Service Center.

- Straight & groove forming bits
- Edge forming bits
- Laminate trimming bits
- Straight guide assembly
- Trimmer guide assembly
- Base assembly (resin)
- Tilt base assembly
- Plunge base assembly
- Offset base assembly
- Templet guide
- Collet cone
- Wrench
- Dust nozzle
- Guide rail
- Guide rail adapter set
- Straight guide with micro adjustment
- Side grip
- Grip attachment

NOTE: Some items in the list may be included in the tool package as standard accessories. They may differ from country to country.

Trimmer bits

Straight bit

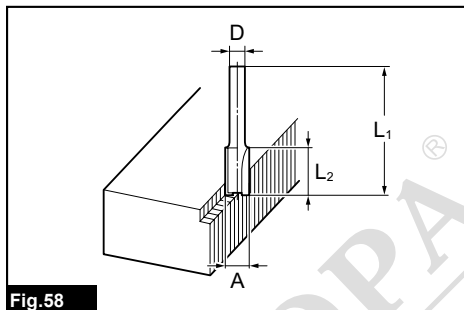


Fig.58

D	A	L1	L2
6	20	50	15
1/4"			
8	8	60	25
6		50	18
1/4"	6	50	18
6			
1/4"			

Unit:mm

U-grooving bit

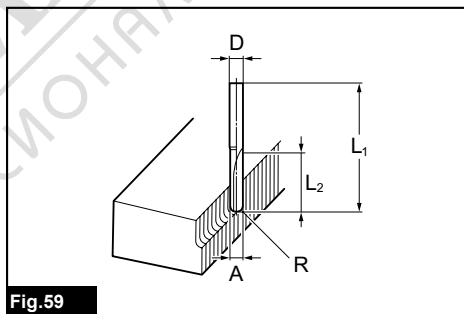


Fig.59

D	A	L1	L2	R
6	6	60	28	3
1/4"				

Unit:mm

V-grooving bit

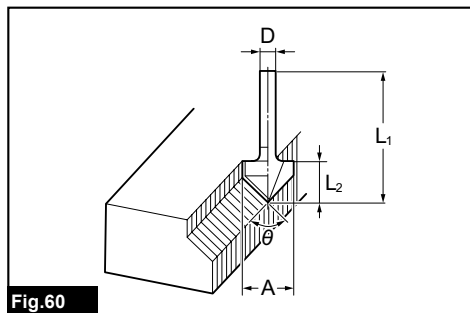


Fig.60

D	A	L1	L2	θ
1/4"	20	50	15	90°

Unit:mm

Drill point double flush trimming bit

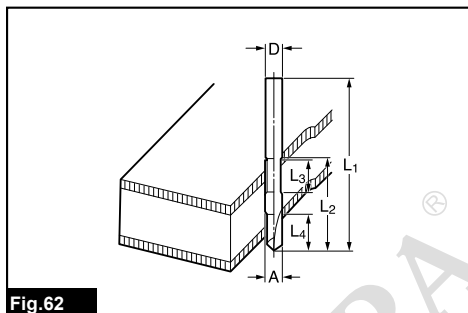


Fig.62

D	A	L1	L2	L3	L4
8	8	80	95	20	25
6	6	70	40	12	14
1/4"					

Unit:mm

Drill point flush trimming bit

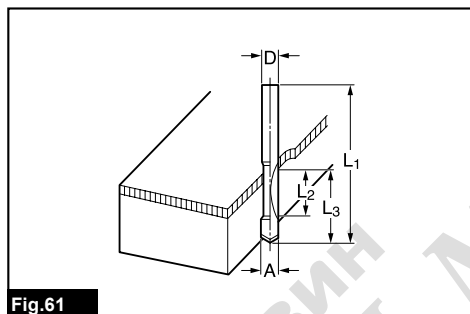


Fig.61

D	A	L1	L2	L3
8	8	60	20	35
6	6	60	18	28
1/4"				

Unit:mm

Corner rounding bit

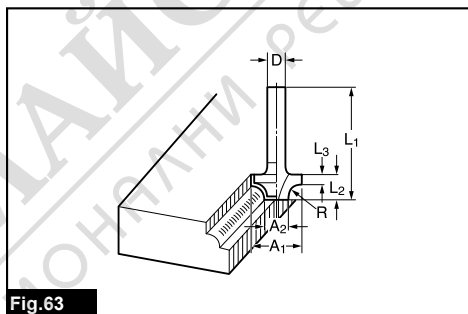


Fig.63

D	A1	A2	L1	L2	L3	R
6	25	9	48	13	5	8
1/4"						
6	20	8	45	10	4	4
1/4"						

Unit:mm



Chamfering bit

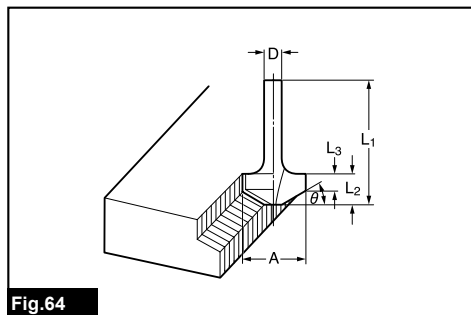


Fig.64

D	A	L1	L2	L3	θ
6	23	46	11	6	30°
6	20	50	13	5	45°
6	20	49	14	2	60°

Unit:mm

Ball bearing flush trimming bit

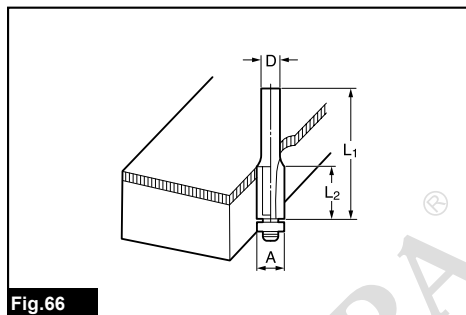


Fig.66

D	A	L1	L2
6	10	50	20
1/4"			

Unit:mm

Cove beading bit

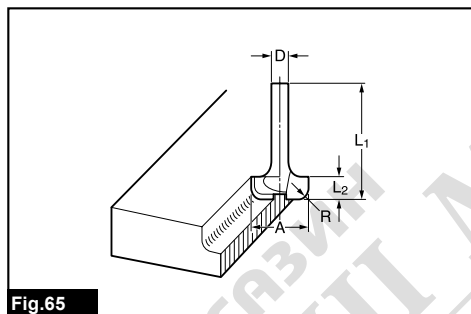


Fig.65

D	A	L1	L2	R
6	20	43	8	4
6	25	48	13	8

Unit:mm

Ball bearing corner rounding bit

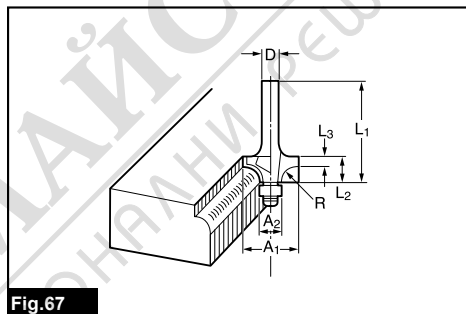


Fig.67

D	A1	A2	L1	L2	L3	R
6	15	8	37	7	3.5	3
6	21	8	40	10	3.5	6
1/4"	21	8	40	10	3.5	6

Unit:mm



Ball bearing chamfering bit

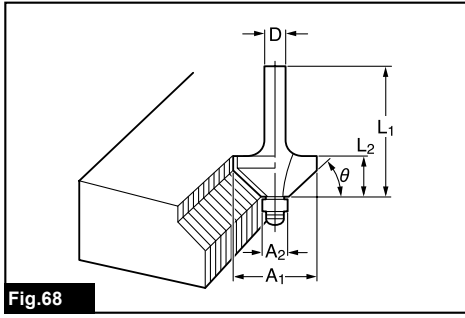


Fig.68

D	A1	A2	L1	L2	θ
6	26	8	42	12	45°
1/4"					
6	20	8	41	11	60°

Unit:mm

Ball bearing cove beading bit

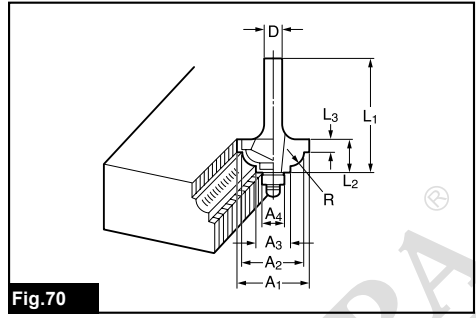


Fig.70

D	A1	A2	A3	A4	L1	L2	L3	R
6	20	18	12	8	40	10	5.5	3
6	26	22	12	8	42	12	5	5

Unit:mm

Ball bearing beading bit

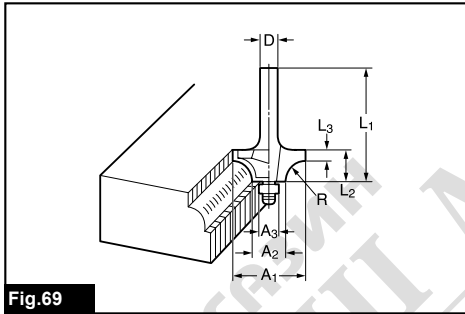


Fig.69

D	A1	A2	A3	L1	L2	L3	R
6	20	12	8	40	10	5.5	4
6	26	12	8	42	12	4.5	7

Unit:mm

Ball bearing roman ogee bit

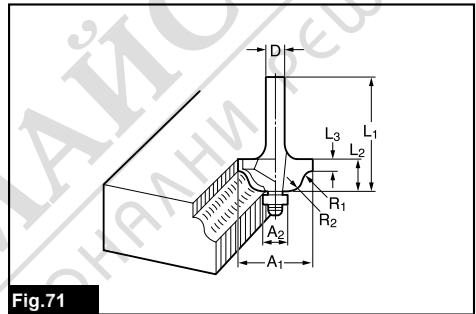


Fig.71

D	A1	A2	L1	L2	L3	R1	R2
6	20	8	40	10	4.5	2.5	4.5
6	26	8	42	12	4.5	3	6

Unit:mm





МАГАЗИН
БАШ МАЙСТОРА[®]
ПРОФЕСИОНАЛНИ РЕШЕНИЯ

Makita Europe N.V. Jan-Baptist Vinkstraat 2,
3070 Kortenberg, Belgium

Makita Corporation 3-11-8, Sumiyoshi-cho,
Anjo, Aichi 446-8502 Japan

www.makita.com

885908-223 EN 20210609
